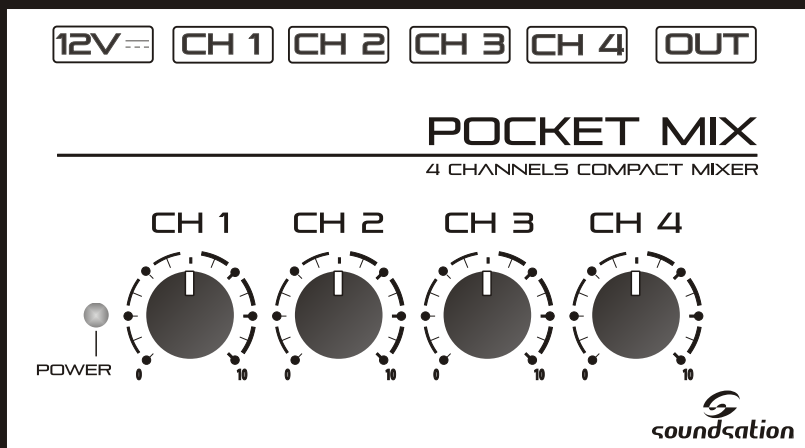


POCKET MIX

4 CHANNELS COMPACT MIXER



USER MANUAL

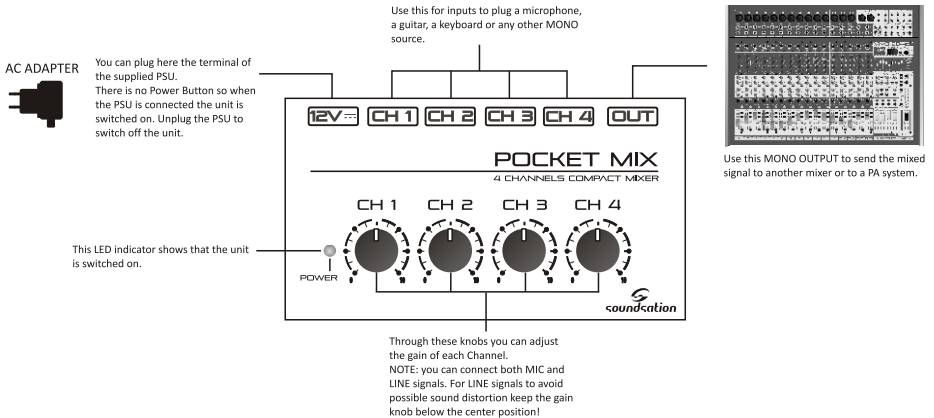
REV 1.01


soundsation

OVERVIEW

POCKET MIX is an easy and powerful solution for everyone who needs to mix up to 4 line signals. The ultra-compact sizes and the premium quality components allow to use this small mixer for a wide range of application. You just need to plug the AC Power Adaptor (included), connect your devices and mix the signals through the 4 Channel Knobs.

APPLICATION



WARRANTY, SERVICE AND LEGAL INFO

All SOUNDSATION products feature a limited two-year warranty. This two-year warranty is specific to the date of purchase as shown on your purchase receipt.

The following cases/components are not covered from the above warranty :

- Any accessories supplied with the product
- Improper use
- Fault due to wear and tear

-Any modification of the product effected by the user or a third party

SOUNDSATION shall satisfy the warranty obligations by remedying any material or manufacturing faults free of charge at SOUNDSATION's discretion either by repair or by exchanging individual parts or the entire appliance. Any defective parts removed from a product during the course of a warranty claim shall become the property of SOUNDSATION

While under warranty period, defective products may be returned to your local SOUNDSATION dealer together with original proof of purchase. To avoid any damages in transit, please use the original packaging if available. Alternatively you can send the product to SOUNDSATION SERVICE CENTER – Via Enzo Ferrari , 10 – 62017 Porto Recanati - Italy . In order to send a product to service center you need an RMA number. Shipping charges have to be covered by the owner of the product.

Contents and images shown on this manual can be changed without any notice. Please visit our website www.soundstationmusic.com to check latest version.

DESIGNED IN ITALY BY SOUNDSATION®
POCKET MIX USER MANUAL REV. 1.01



MADE IN CHINA

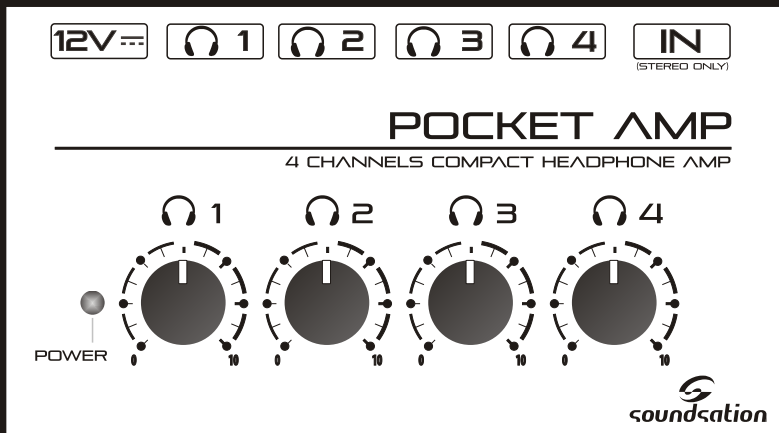
All the Trademarks are property of their respective owners SOUNDSATION® is a registered trademark of

FRENEXPORT SPA – Via Enzo Ferrari, 10 - 62017 Porto Recanati – Italy

© SOUNDSATION 2014 – All rights reserved – All total or partial reproduction of this manual by any other company or person without express authorization of Soundstation is strictly forbidden.

POCKET AMP

4 CHANNELS COMPACT HEADPHONE AMP



USER MANUAL

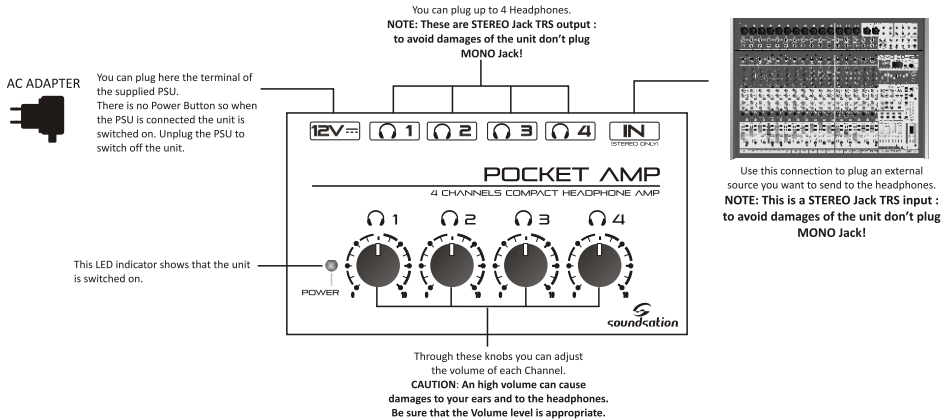
REV 1.01


soundsation

OVERVIEW

POCKET AMP is an easy and powerful solution for everyone who needs to amplify up to 4 signals for headphones. The ultra-compact sizes and the premium quality components allow to use this small amplifier for a wide range of application. You just need to plug the AC Power Adaptor (included), connect your STEREO input source and adjust the volume of the 4 headphones out through the 4 rotary knobs.

APPLICATION



WARRANTY, SERVICE AND LEGAL INFO

All SOUNDSATION products feature a limited two-year warranty. This two-year warranty is specific to the date of purchase as shown on your purchase receipt.

The following cases/components are not covered from the above warranty :

- Any accessories supplied with the product
- Improper use
- Fault due to wear and tear
- Any modification of the product effected by the user or a third party

SOUNDSATION shall satisfy the warranty obligations by remedying any material or manufacturing faults free of charge at SOUNDSATION's discretion either by repair or by exchanging individual parts or the entire appliance. Any defective parts removed from a product during the course of a warranty claim shall become the property of SOUNDSATION

While under warranty period, defective products may be returned to your local SOUNDSATION dealer together with original proof of purchase. To avoid any damages in transit, please use the original packaging if available. Alternatively you can send the product to SOUNDSATION SERVICE CENTER – Via Enzo Ferrari , 10 – 62017 Porto Recanati - Italy . In order to send a product to service center you need an RMA number. Shipping charges have to be covered by the owner of the product.

Contents and images shown on this manual can be changed without any notice. Please visit our website www.soundsationmusic.com to check latest version.

DESIGNED IN ITALY BY SOUNDSATION®
POCKET AMP USER MANUAL REV. 1.01



All the Trademarks are property of their respective owners SOUNDSATION® is a registered trademark of FRENEXPORT SPA – Via Enzo Ferrari, 10 - 62017 Porto Recanati – Italy

© SOUNDSATION 2014 – All rights reserved – All total or partial reproduction of this manual by any other company or person without express authorization of Soundsation is strictly forbidden.