



LIVEO Series

Waterproof 2-way Passive Wall-Mount Speakers
Diffusori 2-Vie Passivi per Montaggio a Muro da Esterno

en-ita

User Manual
Manuale d'uso

HELVIN

Please read this manual carefully and keep it for future reference
Leggete questo manuale e conservatelo per future consultazioni



Gentile Cliente,

Prima di tutto, grazie per aver acquistato un prodotto HELVIA®. La nostra missione è di offrire soluzioni basate sulle tecnologie più aggiornate a tutte le esigenze di integrazione di sistemi nei settori privati, commerciali e corporate.

Speriamo che siate soddisfatti da questo prodotto e, qualora vogliate partecipare, saremmo molto lieti di poter ricevere il vostro feedback sul funzionamento del prodotto e su possibili miglioramenti da apportare in futuro. Potete andare sulla sezione CONTATTACI del sito www.frenexport.com e inviare una e-mail con la vostra opinione; questo ci aiuterebbe a realizzare apparecchiature sempre più vicine alle reali esigenze dei Clienti.

Vi preghiamo, infine, di leggere attentamente questo manuale di istruzioni prima di utilizzare il prodotto; un uso incorretto potrebbe causare danni a voi e al prodotto stesso: pensateci!

Il team HELVIA

Dear value Customer,

First, thank you for purchasing a HELVIA® product. Our mission is to offer solutions based on the most up-to-date technologies for all systems integration needs in the private, commercial and corporate sectors.

We hope you are satisfied with this product and, if you wish to participate, we would be very pleased to receive your feedback on the operation of this product and possible improvements for the future. You can go to "CONTACT" section of www.frenexport.com and send an e-mail with your opinion; this would help us make equipment that are closer to the real needs of our customers.

Finally, please read this user manual carefully before using the product; incorrect use could cause damages to you and the product. Take care!

The HELVIA team

TABLE OF CONTENTS

1. IMPORTANT SAFETY INSTRUCTIONS	4
2. UNPACKING	4
3. PRODUCT OVERVIEW	5
3.1. Features:	5
4. PRODUCT APPEARANCE	6
4.1. Sizes	6
4.2. Rear Panel	6
5. INSTALLATION	7
5.1. LIVEO-420P Ball-shaped Bracket Assembly.....	7
5.2. LIVEO-530P/640P Ball-shaped Bracket Assembly	8
5.3. Ball-shaped Bracket Wall-Mount Installation.....	9
5.4. C-shaped Bracket Wall-Mount Installation.....	11
5.5. Safety Wires and Covers.....	12
6. CHOOSING THE AMPLIFIER	14
6.1. Example of 70/100V System Configuration	14
6.2. Example of Low-Impedance Configuration	15
7. TECHNICAL PARAMETERS	15
7.1. Frequency Response.....	15
8. SPECIFICATIONS	16
9. WARRANTY AND SERVICE	17
10. WARNING	18

1. IMPORTANT SAFETY INSTRUCTIONS

- Read these instructions
- Keep these instructions
- Heed all warning
- Follow all instructions

Water and Moisture

The apparatus should be protected from moisture and rain, and can not be used near water; for example near a bathtub, a kitchen sink, a swimming pool, etc.

Heat

The apparatus should be located away from heat sources such as radiators, stoves or other appliances that produce heat.

Ventilation

Do not block areas of ventilation opening. Failure to do so could result in fire. Always install according to the manufacturer's instructions.

Object and Liquid Entry

Objects must not fall into and liquids must not be spilled into the inside of the apparatus for safety.

Cleaning

Clean only with a dry cloth. Do not use any solvents such as benzene or alcohol.

Servicing

Do not implement any servicing other than those means described in the manual. Refer all servicing to qualified service personnel only. Only use accessories/attachments or parts recommended by the manufacturer.

2. UNPACKING

Thank you for purchasing your LIVEO Series waterproof passive wall-mount speakers. All units have been rigorously tested before leaving the factory. Carefully unpack the carton and check the contents to ensure that all parts are present and in good conditions:

- 2x LIVEO Waterproof 2-way Passive Wall-Mount Speakers
- 4x Wall-mount brackets (2x C-shaped, 2x Ball-shaped)
- 4x Plastic knobs and covers

- 2x Steel safety wires
- 2x Different size Hex Keys
- Hexagonal screws and washers kit
- This User manual

If anything got damaged during transport, notify the shipper immediately and keep packing material for inspection. Again, please save its carton and all packing materials. If the unit must be returned to the manufacturer, it is important that the unit is returned in the original manufacturer's packing. Please do not take any action without first contacting us.

Our products are subject to a continuous process of further development. Therefore modifications to the technical features remain subject to change without further notice.

3. PRODUCT OVERVIEW

LIVEO series combines simplicity and elegance with sturdiness and ease of installation. Whether outdoor or indoor, low-impedance or constant-voltage line, LIVEO guarantees the right solution for every application.

The housing, with minimalist and elegant lines, is made of Polypropylene with UV-resistant treatment; this ensures robustness and greater durability to exposure to sun, moisture and rain. Plastic woofer, Mylar tweeter and plastic cover of rear connections make these speakers completely waterproof. Both transducers are selected to offer not only waterproofness and high durability, but also an excellent level of audio quality.

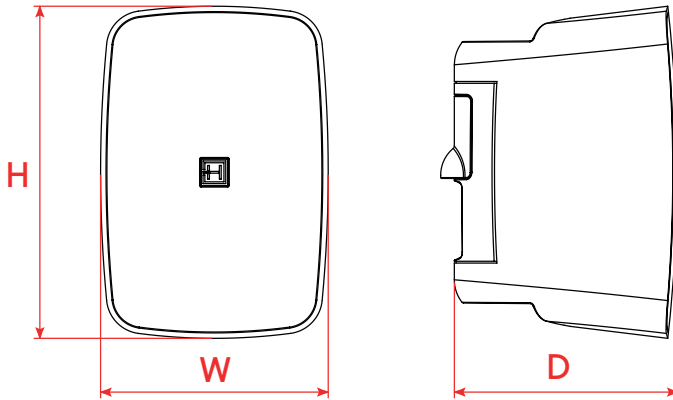
The built-in line transformer allows the speaker to be adapted to both constant-voltage - with 4 selectable power levels - and low-impedance systems. Each LIVEO series speaker, in order to simplify installation as much as possible, comes with both a "C" bracket and a "Ball-shaped" bracket, both with adjustable horizontal and vertical positions.

3.1. Features:

- 2-Way Passive Speakers with RMS Powers from 20W to 40W
- IP65 Protection Rating for Outdoor/Indoor Applications
- Available in Black or White Finish
- UV-Resistant PP Housing
- Built-In 70/100V Line Transformer
- Power Tap Selector for 70/100V or low-impedance systems
- Horizontal and Vertical adjustable C-Bracket and Ball-Shaped bracket
- Safety Wire included
- Paintable Housing and Grille

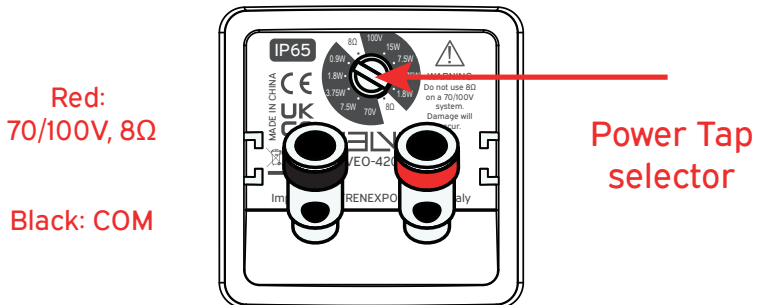
4. PRODUCT APPEARANCE

4.1. Sizes



Model	Width (mm)	Depth (mm)	Height (mm)
LIVEO-420P	125	123	183
LIVEO-530P	156	156	227
LIVEO-640P	191	193	280

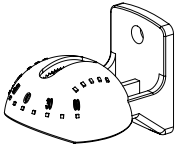
4.2. Rear Panel



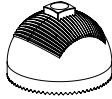
Voltage	LIVEO 420P	LIVEO 530P	LIVEO 640P
70V	0.9W, 1.8W, 3.75W, 7.5W, 8Ω	1W, 2W, 4W, 8W, 8Ω	2W, 4W, 8W, 16W, 8Ω
100V	1.8W, 3.75W, 7.25W, 15W, 8Ω	2W, 4W, 8W, 16W, 8Ω	4W, 8W, 16W, 32W, 8Ω

5. INSTALLATION

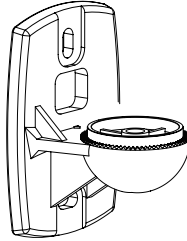
5.1. LIVEO-420P Ball-shaped Bracket Assembly



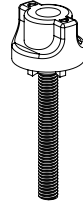
PART 1



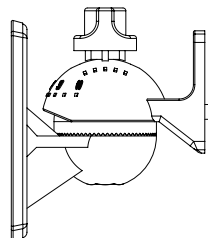
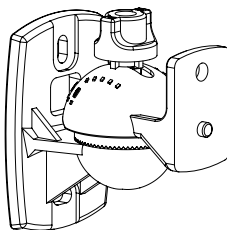
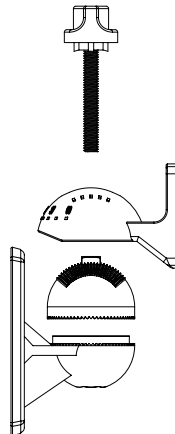
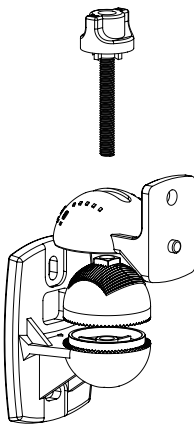
PART 2



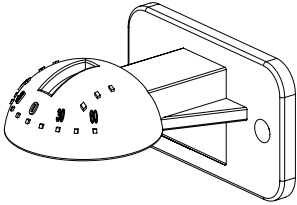
PART 3



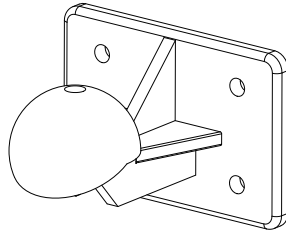
Bracket Bolt



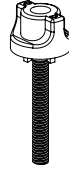
5.2. LIVEO-530P/640P Ball-shaped Bracket Assembly



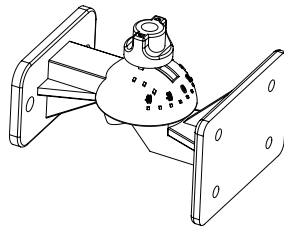
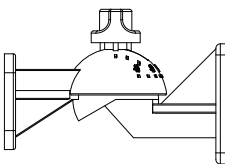
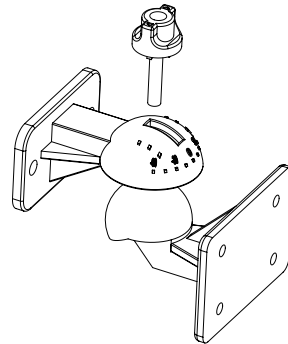
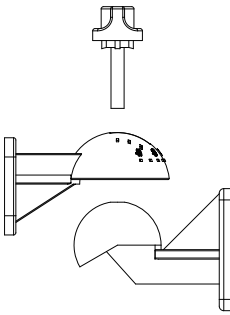
PART 1



PART 2




Bracket Bolt

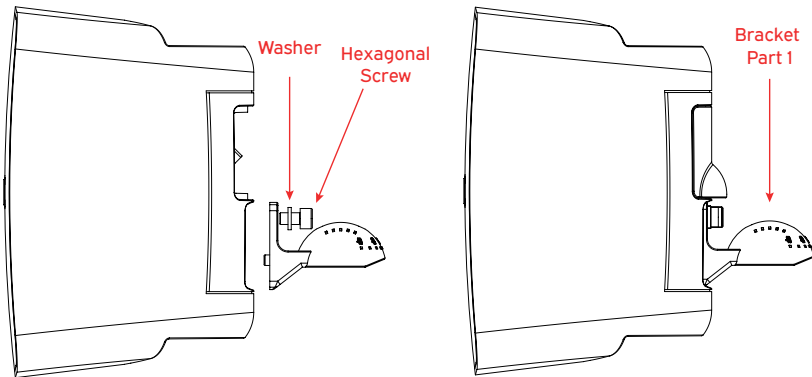


5.3. Ball-shaped Bracket Wall-Mount Installation

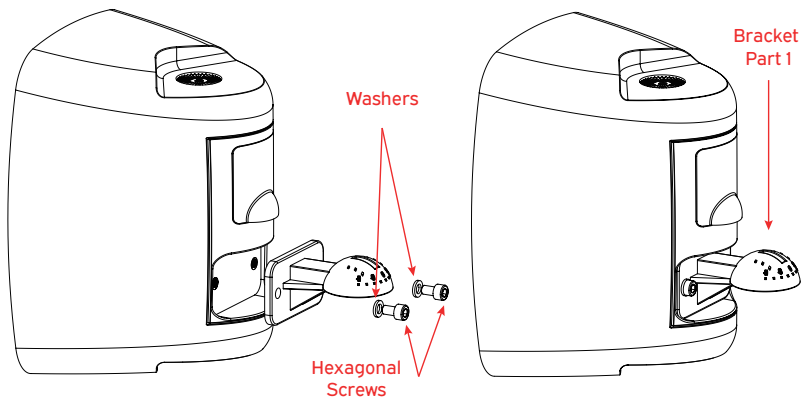
- First, install bracket part 1 to the speaker as shown in the pictures below: fit one or two (depending on your model) supplied hexagonal screws and washers into the holes of the bracket, then screw them into the mounting slot on the speaker's back.

 **CAUTION:** When positioning the speakers, be careful not to put pressure on the front grille, otherwise you risk deforming it.

LIVEO-420P





LIVEO-530P/640P



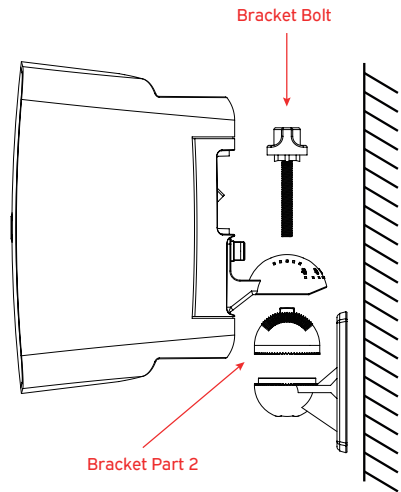
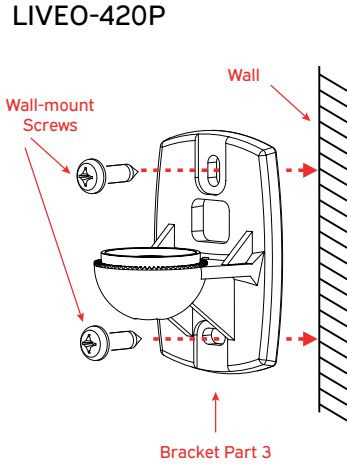
- After drilling the hole positions on the wall, brackets part 2 (LIVEO-420P) and 3 (LIVEO-530P/640P) are fixed on the wall surface. Then, assemble all bracket

parts with bolts as shown in illustrations below. Make sure that all parts are securely mounted.

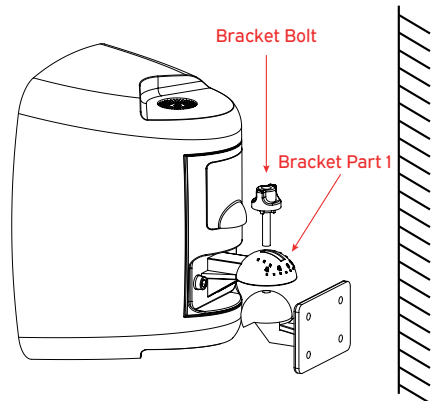
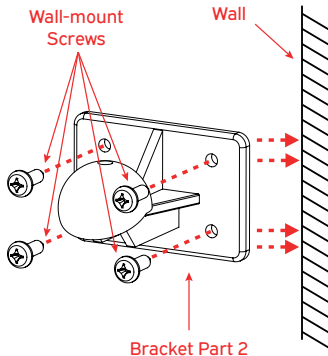
 **WARNING:** Before fixing bracket part 2 or 3 to the wall, make sure that the safety wire is installed as described in section “5.5. Safety Wires and Covers” on page 12.

 **NOTE:** Wall-mount screws are not included. The installer is responsible for the installation. Please install speakers according to local safety regulations.

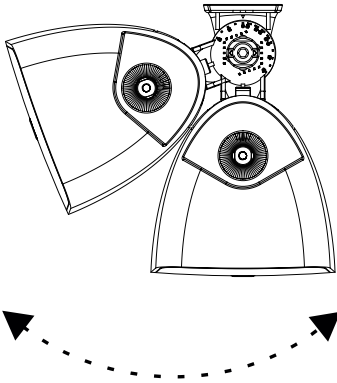
LIVEO-420P



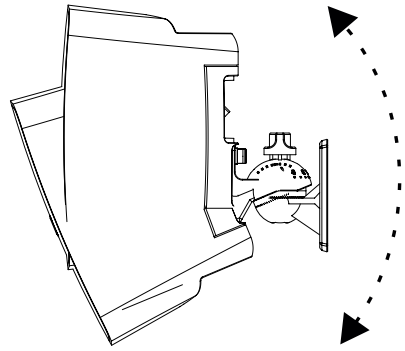
LIVEO-530P/640P



- According to your installation plan, choose the most appropriate height, pan and tilt, then tighten the bracket bolt.



Adjustable Left and Right angle
from 0° to +/-60°

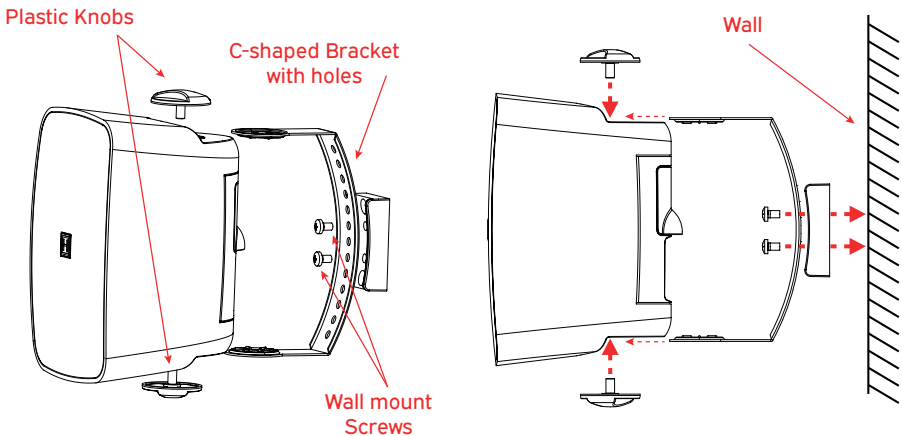


Adjustable Up and Down angle
from 0° to +/-45°

- Connect 70/100V - Low impedance line. Adjust the power tap selector ("4.2. Rear Panel" on page 6) according to requirements, then place the back cover in the appropriate slot.

5.4. C-shaped Bracket Wall-Mount Installation

LIVEO speakers can be installed on walls either in horizontal or vertical position, thanks to the C-shaped bracket provided.



- Use the holes in the bracket as a template for the holes position on the wall, and to choose the angle at which the speaker will be positioned.

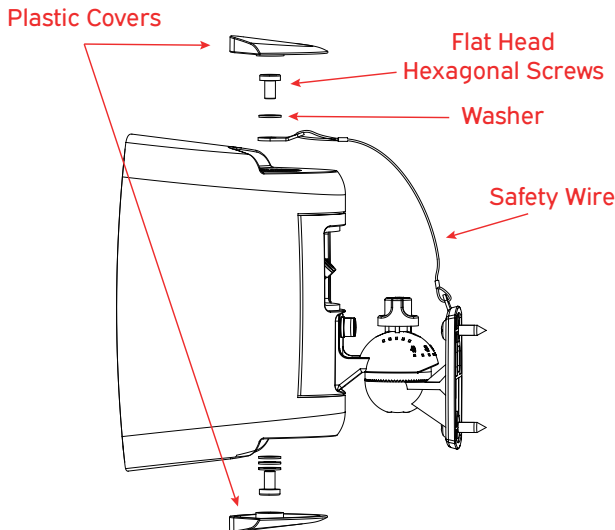
- Then use the appropriate hardware and tools (not included) to properly fix the bracket to the wall.
- Once the bracket is fixed to the wall, place the speaker on the bracket and insert the plastic knobs to secure it.
- According to your installation plan, choose the most appropriate pan or tilt before screwing the plastic knobs all the way in.
- Adjust the rotatable logo depending on whether the speaker is installed vertically or horizontally.

NOTE: The installer is responsible for the installation. Please install speakers according to local safety regulations.


CAUTION: When positioning the speakers, be careful not to put pressure on the front grille, otherwise you risk deforming it.

5.5. Safety Wires and Covers

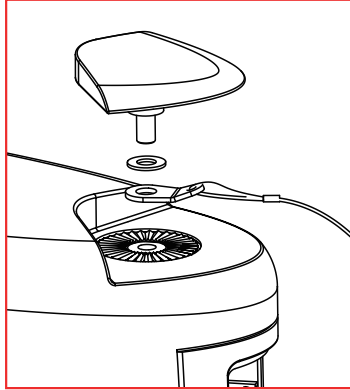
When using Ball-shaped brackets to fix the speakers to the wall, make sure to properly install safety wires to prevent the speakers from falling.



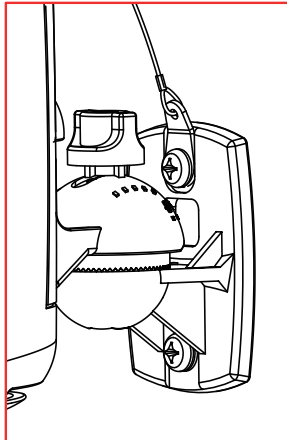
- Firstly, remove the plastic cover on the top of the speaker, then unscrew and remove the flat-head hexagonal screw and washer.
- Place one end of the safety wire on top of the speaker, under a washer and a flat-head hexagonal screw, as shown in detail in the following page:

 **NOTE:** Make sure to install the safety wire in the correct way. The end with the larger loop goes on top of the speaker, while the end with the tighter loop goes between the wall-mount screw and bracket part 2 or 3, depending on your speaker model.

- Tighten the screw and place the plastic cover back on.



- Now, place the other end of the safety wire between a wall-mount screw and the hole on bracket part 3, or 2 (depending on your model) as shown in the drawing below, then fix the speaker to the wall as described in section "5.3. Ball-shaped Bracket Wall-Mount Installation" on page 9.



6. CHOOSING THE AMPLIFIER

Most speaker damages are caused by amplifiers with too little power (wattage). Overdriven amplifiers clip output waveforms and send distortion to the speakers. Clipping is usually audible; it may vary from a harsh sound to a fuzzy or unclear sound.

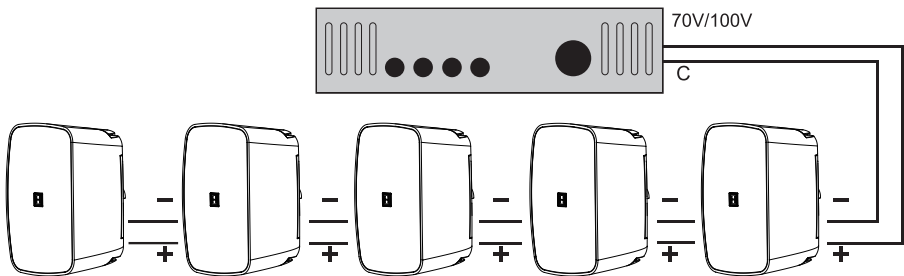
If you hear this condition at loud volume levels, turn down the amplifier volume until the distortion is no longer present. Damages caused by operating the speakers at distorted volume levels are not covered by warranty.

HELVIA can provide the best suited amplifier for your configuration, just click on the following links for more details:


<https://www.helviasystems.com/en/products/matrices-mixers-c1131>

<https://www.helviasystems.com/en/products/mixer-amplifiers-c445>

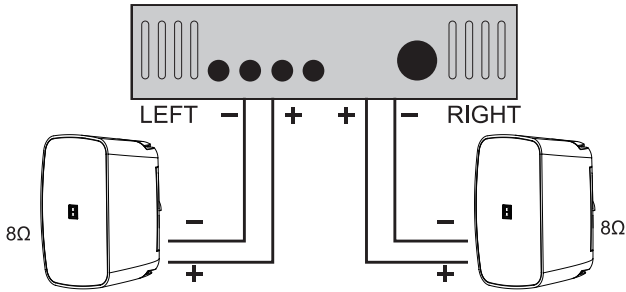
6.1. Example of 70/100V System Configuration



5 speakers connected in parallel using 15W Taps

 **NOTE:** Total number of speakers multiplied by tap value cannot exceed the output power (in watts) of the 70/10V amplifier. The above example shows 5 total speakers in a 100V system. If you use 15W tap position, you need an amplifier with at least $5 \times 15 = 75W$. A good rule of thumb is to use an amplifier with 20% greater power; in this case, an amplifier with 90W.

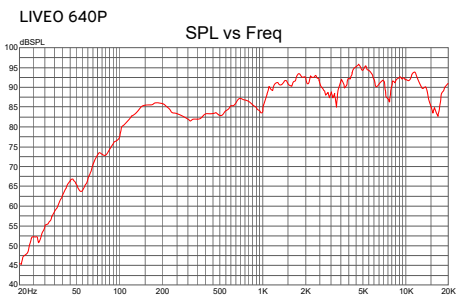
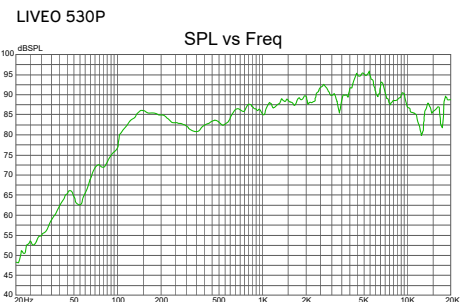
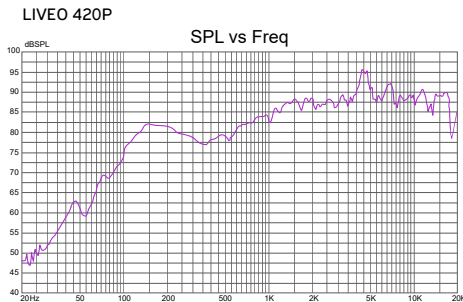
6.2. Example of Low-Impedance Configuration



2 speakers connected to 8Ω outputs of a stereo low-impedance amplifier

7. TECHNICAL PARAMETERS

7.1. Frequency Response



8. SPECIFICATIONS

Model	LIVEO 420P	LIVEO 530P	LIVEO 640P
Speaker Type	2-way Passive		
IP Rating	IP65		
RMS Power (@ 8ohm)	20W	30W	40W
Program Power (@8ohm)	40W	60W	80W
Freq. Response (-10dB)	70Hz-20kHz	60Hz-20kHz	50Hz-20kHz
Sensitivity (1W @ 1m)	83dB	85dB	87dB
Impedance	8 ohm		
Woofers	4" (103mm), PP cone	5.25" (135mm), PP cone	6.5" (165mm), PP cone
Tweeter	0.5" (13mm), Mylar dome		1" (165mm), Silk dome
Crossover Frequency	3.5 kHz		2.0 kHz
70/100V Line Transformer with Power Tap Selector	(100V) 1.8W, 3.75W, 7.25W, 15W, 8Ω	(100V) 2W, 4W, 8W, 16W, 8Ω	(100V) 4W, 8W, 16W, 32W, 8Ω
	(70V) 0.9W, 1.8W, 3.75W, 7.5W, 8Ω	(70V) 1W, 2W, 4W, 8W, 8Ω	(70V) 2W, 4W, 8W, 16W, 8Ω
Housing	UV-Resistant PP, paintable		
Bracket	C-Bracket and Ball-shaped Bracket with Pan/Tilt adjustable angles and stainless-steel screws		
Grille	Perforated aluminum, powder coated paint, acoustic transparent, paintable		
Color	White or Black		
Product Size - No Bracket (WxDxH)	125 x 123 x 183 mm (4.9 x 4.8 x 7.2 inch)	156 x 156 x 227 mm (6.1 x 6.1 x 8.9 inch)	191 x 193 x 280 mm (7.5 x 7.6 x 11.0 inch)
Speaker Weight (single unit, no bracket)	1.3kg – 2.9 lbs.	1.8kg – 4 lbs.	2.7kg – 6 lbs.
Packing Size (WxDxH) (pair)	358 x 154 x 212 mm (14.1 x 6.1 x 8.3 inch)	420 x 195 x 255 mm (16.5 x 7.7 x 10.0 inch)	492 x 233 x 303 mm (19.4 x 9.2 x 12 inch)
Packing Weight (pair)	3.4kg – 7.5 lbs.	4.5kg – 10 lbs.	6.5kg – 14.3 lbs.

Our products are subject to change. Modifications to technical features remain subject to change without notice.

9. WARRANTY AND SERVICE

All HELVIA® products are covered by warranty according to European regulations (2 years in the case of purchase by private person - B2C; 1 year in the case of purchase by company - B2B). The warranty is valid from the date of purchase by the end user (private individual or company), indicated in the purchase document (receipt in the case of private person; invoice in the case of company). The following cases / components are not covered by the above warranty:

- All accessories supplied with the product;
- Improper use;
- Failure due to wear and tear;
- Any unauthorized modification of the product by the user or third parties.

HELVIA must meet the warranty obligations due to any non-compliant materials or manufacturing defects, by remedying free of charge at HELVIA's discretion by either repairing or replacing specific parts or the entire equipment. Any defective parts removed by a product in the event of a warranty claim become property of HELVIA.

During the warranty period, defective products can be returned to HELVIA retailer or installer with proof of original purchase (receipt or invoice). To avoid damage during transport, please use the original packaging, if available. For more information, visit the website: www.frenexport.com.

10. WARNING

READ CAREFULLY - only for EU and EEA (Norway, Iceland and Liechtenstein).



This symbol indicates that the product must not be disposed of with household waste, according to the WEEE directive (2202/96/EC and subsequent amendments) and national legislation.

The product must be delivered to a designated waste collection center (e.g. on an authorized one-for-one basis when you buy a new similar product, or to an authorized collection site for recycling waste electrical and electronic equipment).

Improper handling of this type of waste can have a negative impact on the environment and human health due to potentially dangerous substances that are generally associated with electrical and electronic equipment. At the same time, your cooperation in the proper disposal of this product will contribute to the effective use of natural resources.

For more information about where you can drop off your waste equipment for recycling, please contact your local city office, waste authority, approved WEEE scheme or your household waste disposal service.

SOMMARIO

1. IMPORTANTI ISTRUZIONI DI SICUREZZA.....	20
2. CONTENUTO DELL'IMBALLO.....	20
3. DESCRIZIONE DEL PRODOTTO.....	21
3.1. Caratteristiche:.....	21
4. ASPETTO DEL PRODOTTO	22
4.1. Dimensioni.....	22
4.2. Pannello Posteriore	22
5. INSTALLAZIONE	23
5.1. Installazione Staffa a Sfera LIVEO-420P	23
5.2. Installazione Staffa a Sfera LIVEO-530P/640P	24
5.3. Installazione a muro della Staffa a Sfera	25
5.4. Installazione Staffa a C.....	27
5.5. Cavi di sicurezza e Coperchi	28
6. SCELTA DELL'AMPLIFICATORE.....	30
6.1. Esempio di configurazione di sistema a 70/100V.....	30
6.2. Esempio di configurazione a bassa impedenza	31
7. PARAMETRI TECNICI	31
7.1. Risposta in Frequenza	31
8. SPECIFICHE TECNICHE.....	32
9. GARANZIA E ASSISTENZA.....	33
10. AVVISO	34

1. IMPORTANTI ISTRUZIONI DI SICUREZZA

- Leggete queste istruzioni
- Conservate queste istruzioni
- Rispettate tutte le avvertenze
- Seguite tutte le istruzioni

Acqua e Umidità

L'apparato deve essere protetto dall'umidità e dalla pioggia, non può essere usato in prossimità di acqua; ad esempio nei pressi di una vasca da bagno, di un lavandino, di una piscina, ecc.

Calore

L'apparecchio deve essere posto lontano da fonti di calore come radiatori, stufe o altri apparecchi che producono calore.

Ventilazione

Non ostruite le prese d'aria per la ventilazione: ciò potrebbe provocare incendi. Installate sempre l'unità secondo le istruzioni del produttore.

Introduzione di oggetti e liquidi

Non introdurre oggetti o versare liquidi all'interno dell'apparato per ragioni di sicurezza.

Pulizia

Pulite solo con un panno asciutto. Non utilizzate solventi come benzolo o alcol.

Manutenzione

Non effettuate qualsiasi altro intervento al di fuori di quelli descritti nel manuale. Per eventuale assistenza rivolgetevi solo a personale qualificato. Utilizzate solo accessori / componenti suggeriti dal produttore.

2. CONTENUTO DELL'IMBALLO

Grazie per aver acquistato i diffusori passivi a parete da esterno della serie LIVEO. Tutte le unità sono state rigorosamente testate prima di lasciare la fabbrica. Disimballare con cura la confezione e controllare il contenuto per assicurarsi che tutte le parti siano presenti e in buone condizioni:

- 2 x Diffusori Passivi a 2-vie a Parete da Esterno LIVEO

- 4x Staffe per montaggio a parete (2x staffe a "C", 2x staffe a "Sfera")
- 4x Manopole e coperchi in plastica
- 2x Cavi di sicurezza in acciaio
- 2x Chiavi esagonali di diverse misure
- Kit di viti esagonali e rondelle
- Questo manuale di istruzioni

In caso di danni durante il trasporto, informare immediatamente lo spedizioniere e conservare il materiale di imballaggio per l'ispezione. Ancora una volta, si prega di conservare la confezione e tutti i materiali di imballaggio. Se l'unità deve essere restituita al produttore, è importante che questa venga restituita nella confezione originale del produttore. Si prega di non intraprendere alcuna azione senza prima averci contattato. I nostri prodotti sono soggetti a un processo continuo di sviluppo. Pertanto, le modifiche alle caratteristiche tecniche rimangono soggette a modifiche senza preavviso.

3. DESCRIZIONE DEL PRODOTTO

La serie LIVEO unisce la semplicità e la raffinatezza alla robustezza e semplicità di installazione. Sia che si tratti di sistemi di diffusione all'aperto o al chiuso, a bassa impedenza o a tensione costante, LIVEO garantisce la giusta soluzione per ogni applicazione. L'housing, dalle linee minimaliste ed eleganti, è realizzato in Polipropilene con trattamento resistente ai raggi UV; questo garantisce robustezza e maggiore durata all'esposizione al sole, all'umidità e alla pioggia. Il woofer in materiale plastico, il tweeter in Mylar e la copertura in materiale plastico delle connessioni posteriori rendono questi diffusori completamente impermeabili. Entrambi i trasduttori sono selezionati per offrire non solo l'impermeabilità e una elevata durata, ma anche un ottimo livello di qualità audio. Il trasformatore di linea integrato consente di adattare il diffusore sia a sistemi a tensione costante - con 4 livelli di potenza selezionabili - che a sistemi a bassa impedenza. Ogni diffusore della serie LIVEO, al fine di semplificare il più possibile l'installazione a muro, ha in dotazione sia una praticissima staffa a "C", sia una staffa con sistema a "sfera", entrambi con posizione orizzontale e verticale regolabili.

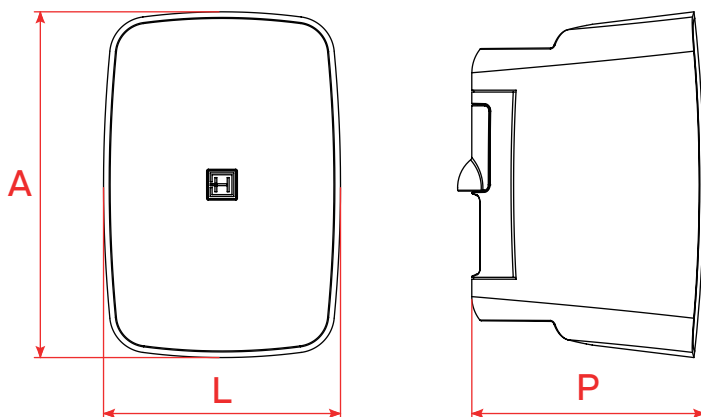
3.1. Caratteristiche:

- Sistemi Passivi a 2-Vie con Potenze RMS da 20W a 40W
- Grado di protezione IP65 per applicazioni esterne/interne
- Disponibile in finitura nera o bianca
- Cabinet in PP resistente ai raggi UV
- Trasformatore per linee a 70/100V interno
- Selettore di Potenza per sistemi a 70/100V o bassa impedenza

- Staffa a C e staffa con sistema a Sfera, entrambi regolabili in orizzontale e verticale
- Cavo di sicurezza in dotazione
- Cabinet e griglia riverniciabili

4. ASPETTO DEL PRODOTTO

4.1. Dimensioni

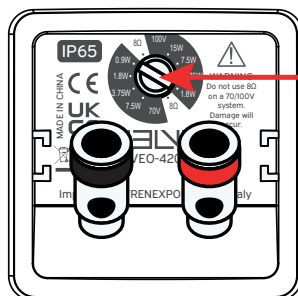


Modello	Larghezza (mm)	Profondità (mm)	Altezza (mm)
LIVEO-420P	125	123	183
LIVEO-530P	156	156	227
LIVEO-640P	191	193	280

4.2. Pannello Posteriore

Rosso:
70/100V, 8Ω

Nero: COM

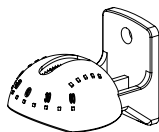


Selettore
di Potenza

Tensione	LIVEO 420P	LIVEO 530P	LIVEO 640P
70V	0.9W, 1.8W, 3.75W, 7.5W, 8Ω	1W, 2W, 4W, 8W, 8Ω	2W, 4W, 8W, 16W, 8Ω
100V	1.8W, 3.75W, 7.25W, 15W, 8Ω	2W, 4W, 8W, 16W, 8Ω	4W, 8W, 16W, 32W, 8Ω

5. INSTALLAZIONE

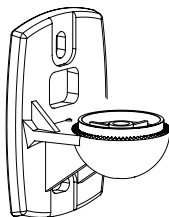
5.1. Installazione Staffa a Sfera LIVEO-420P



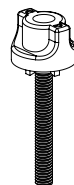
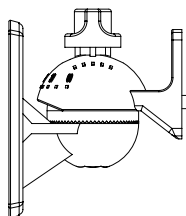
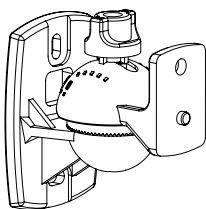
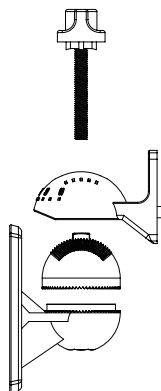
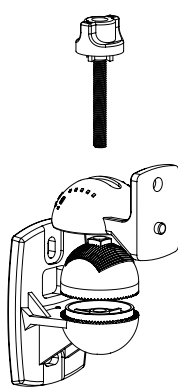
PARTE 1



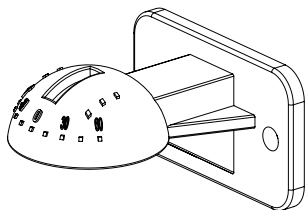
PARTE 2



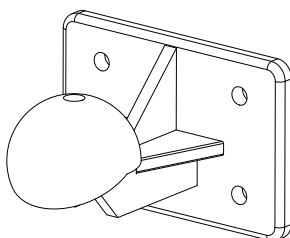
PARTE 3

Bullone
di Fissaggio

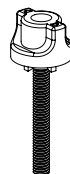
5.2. Installazione Staffa a Sfera LIVEO-530P/640P



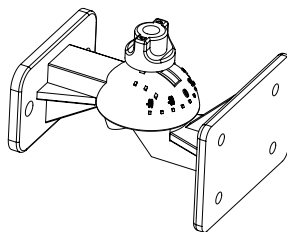
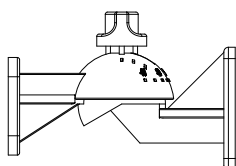
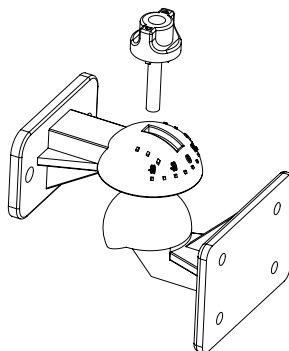
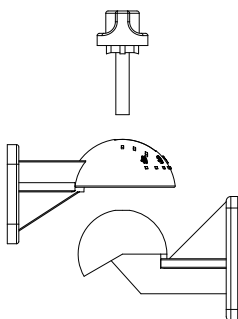
PARTE 1



PARTE 2




Bullone
di Fissaggio

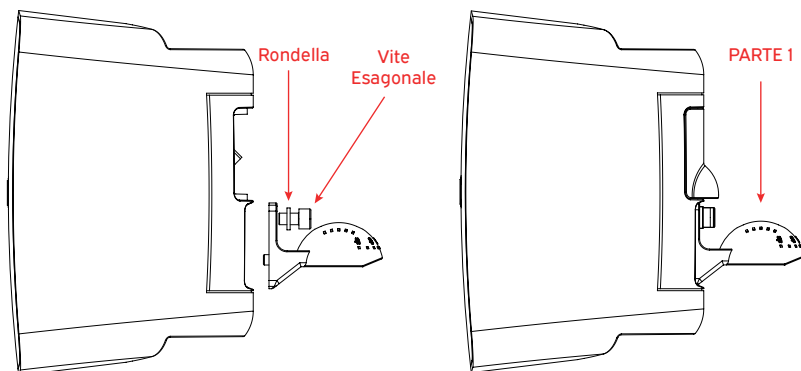


5.3. Installazione a muro della Staffa a Sfera

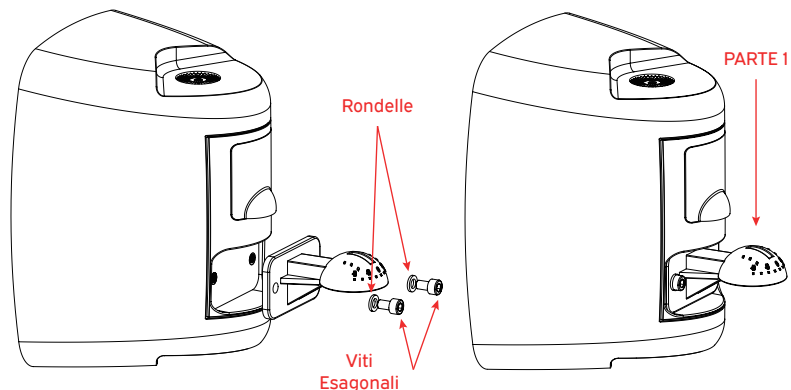
- Per prima cosa, installare la parte 1 della staffa sul diffusore come mostrato nelle immagini seguenti: inserire una o due (a seconda del modello) viti esagonali e rondelle in dotazione nei fori della staffa, quindi avvitare nella fessura di montaggio nel retro del diffusore.

 **ATTENZIONE:** Quando si posizionano i diffusori, assicurarsi di non fare pressione sulla griglia anteriore, altrimenti si rischia di deformarla.

LIVEO-420P



LIVEO-530P/640P



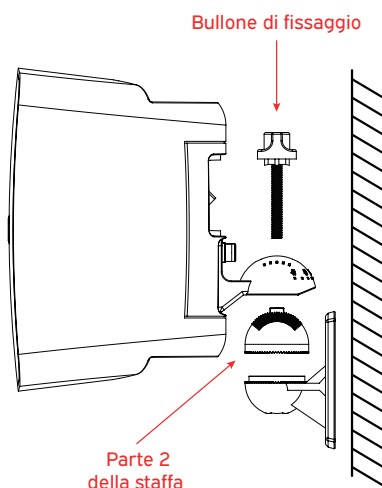
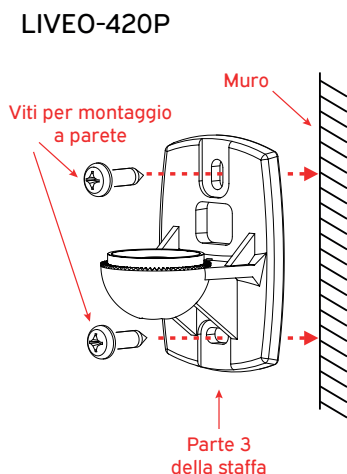
- Dopo aver praticato i fori sulla parete, le staffe 2 (LIVEO-420P) e 3 (LIVE-

O-530P/640P) vengono fissate sulla superficie della parete. Quindi, assemblare tutte le parti della staffa con i bulloni come mostrato nelle illustrazioni seguenti. Assicurarsi che tutte le parti siano fissate in modo sicuro.

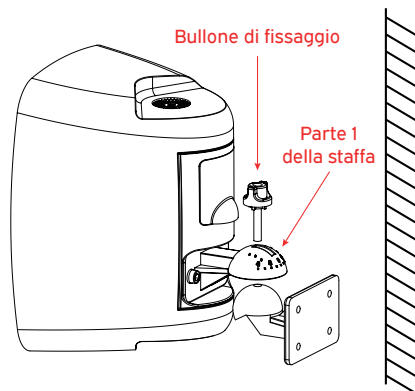
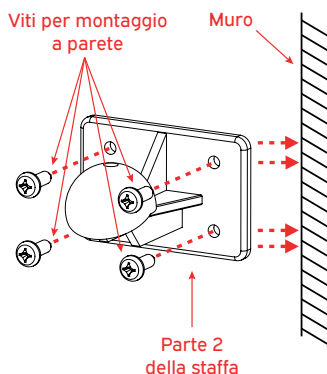
ATTENZIONE: Prima di fissare la parte 2 o 3 della staffa alla parete, accertarsi che il cavo di sicurezza in acciaio sia installato come descritto nella sezione “5.5. Cavi di sicurezza e Coperchi” a pagina 28 .

NOTA: Le viti per il montaggio a parete non sono incluse. L’installatore è responsabile dell’installazione. Installare i diffusori secondo le norme di sicurezza locali.

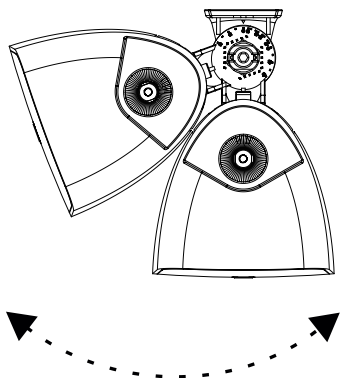
LIVEO-420P



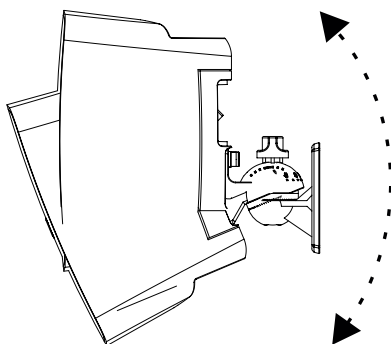
LIVEO-530P/640P



- In base al vostro piano di installazione, scegliere l'altezza, la panoramica e l'inclinazione più appropriate, e poi stringere il bullone della staffa.



Rotazione Panoramica regolabile
da 0° a +/-60°

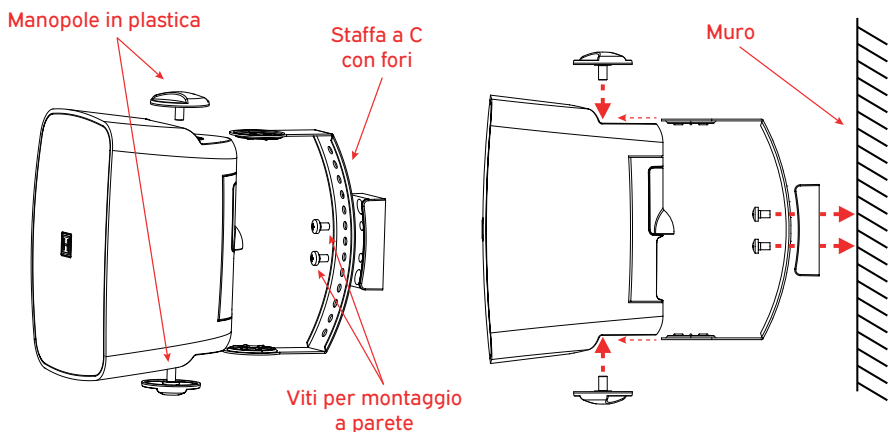


Angolo di Inclinazione regolabile
da 0° a +/-45°

- Collegare una linea a bassa impedenza o a 70/100V. Regolare il selettore di potenza ("4.2. Pannello Posteriore" a pagina 22) in base alle esigenze, quindi collocare il coperchio posteriore nell'apposito alloggiamento.

5.4. Installazione Staffa a C

I diffusori LIVEO possono essere installati a parete sia in posizione orizzontale che verticale, grazie alla staffa a C in dotazione.



- Utilizzare i fori della staffa come guida per la posizione dei fori sulla parete, e per scegliere l'angolo di posizionamento del diffusore.
- Utilizzare quindi la ferramenta e gli strumenti appropriati (non inclusi) per fissa-

re correttamente la staffa alla parete.

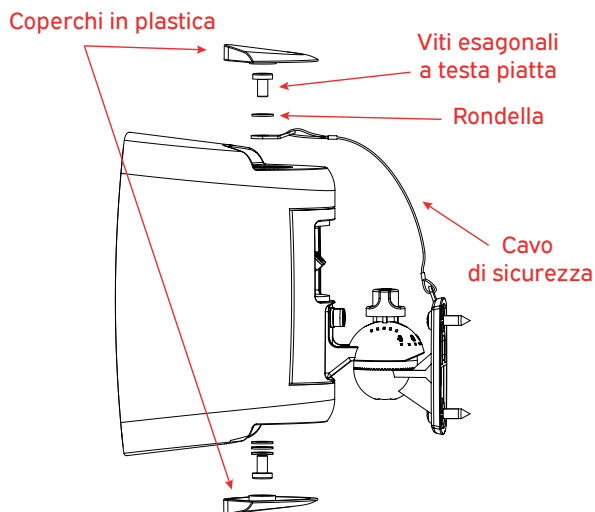
- Una volta fissata la staffa alla parete, posizionare il diffusore sulla staffa e inserire le manopole di plastica per fissarlo.
- In base al vostro piano di installazione, scegliere la panoramica o l'inclinazione più appropriata prima di avvitare completamente le manopole di plastica.
- Regolare il logo ruotabile a seconda dell'installazione verticale o orizzontale del diffusore.

🔑 NOTA: L'installatore è responsabile dell'installazione. Installare i diffusori secondo le norme di sicurezza locali.


🔑 ATTENZIONE: Quando si posizionano i diffusori, assicurarsi di non fare pressione sulla griglia anteriore, altrimenti si rischia di deformarla.

5.5. Cavi di sicurezza e Coperchi

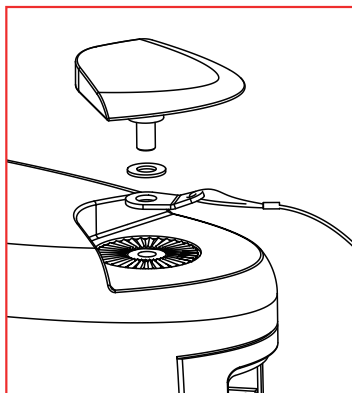
Quando si utilizzano le staffe a sfera per fissare i diffusori alla parete, assicurarsi di installare correttamente i cavi di sicurezza per evitare che i diffusori cadano.



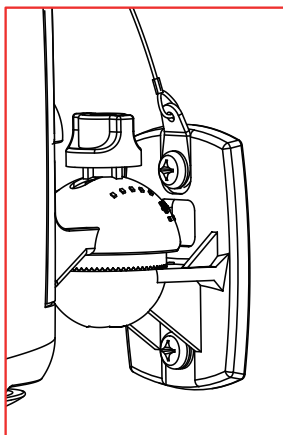
- Per prima cosa, rimuovere il coperchio di plastica dalla parte superiore del diffusore, quindi svitare e rimuovere la vite esagonale a testa piatta e la rondella.
- Posizionare un'estremità del cavo di sicurezza sulla parte superiore del diffusore, sotto una rondella e una vite esagonale a testa piatta, come mostrato in dettaglio nella pagina seguente:

 **NOTA:** Assicurarsi di installare il cavo di sicurezza nel modo corretto. L'estremità con l'anello più grande va sulla parte superiore del diffusore, mentre l'estremità con l'anello più stretto va tra la vite di montaggio a parete e la parte 2 o 3 della staffa, a seconda del modello di diffusore.

- Avvitare la vite e riposizionare il coperchio di plastica.



- A questo punto, posizionare l'altra estremità del cavo di sicurezza tra una vite per il montaggio a parete e il foro sulla parte 3 o 2 della staffa (a seconda del modello), come mostrato nel disegno sottostante, quindi fissare il diffusore alla parete come descritto nella sezione "5.3. Installazione a muro della Staffa a Sfera" a pagina 25.



6. SCELTA DELL'AMPLIFICATORE

La maggior parte dei danni ai diffusori è causata da amplificatori con una potenza (wattaggio) troppo bassa. Gli amplificatori sottodimensionati schiacciano (o meglio "squadrono") le forme d'onda in uscita e inviano segnali distorti ai diffusori. Generalmente è udibile sotto forma di distorsione; e l'effetto può variare da un suono aspro a un suono indistinto o poco chiaro.

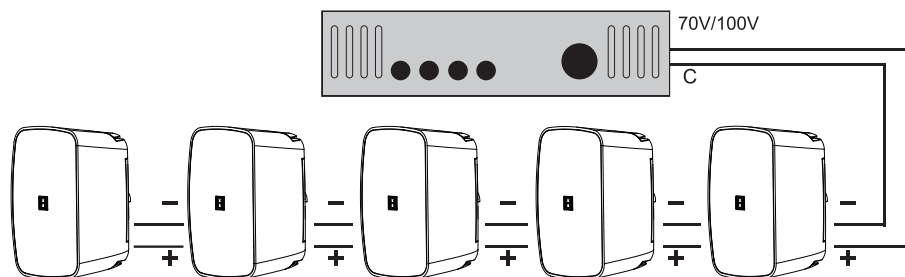
Se si riconosce questa condizione ad alti livelli di volume, abbassare il volume dell'amplificatore fino a quando la distorsione non è più presente. I danni causati dal funzionamento degli altoparlanti a livelli di volume distorti non sono coperti da garanzia.

HELVIA è in grado di fornire l'amplificatore più adatto alla vostra configurazione; per maggiori dettagli, cliccate sui seguenti link:


<https://www.helviasystems.com/it/products/mixer-matrici-c1131>

<https://www.helviasystems.com/it/products/mixer-amplificatori-c445>

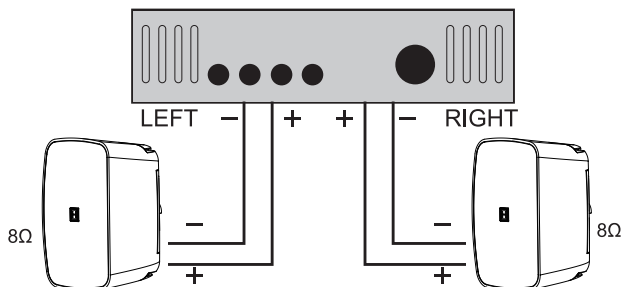
6.1. Esempio di configurazione di sistema a 70/100V



5 altoparlanti collegati in parallelo con selettore di potenza a 15W.

 **NOTA:** il numero totale di altoparlanti moltiplicato per il valore di potenza selezionato per ciascun diffusore non può superare la potenza di uscita (in Watt) dell'amplificatore a 70/100V. L'esempio sopra mostra 5 altoparlanti in un sistema da 100V. Se sui diffusori si seleziona una potenza di 15W, è necessario un amplificatore con almeno $5 \times 15 = 75W$. Una buona regola empirica è quella di utilizzare un amplificatore con una potenza maggiore del 20%; in questo caso sarà 90W.

6.2. Esempio di configurazione a bassa impedenza



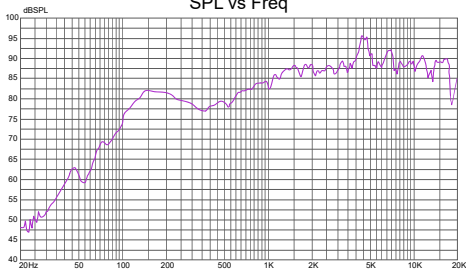
2 altoparlanti collegati alle uscite 8Ω di un amplificatore stereo a bassa impedenza.

7. PARAMETRI TECNICI

7.1. Risposta in Frequenza

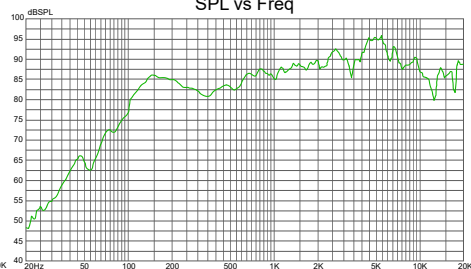
LIVEO 420P

SPL vs Freq



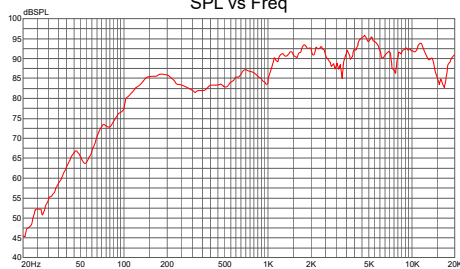
LIVEO 530P

SPL vs Freq



LIVEO 640P

SPL vs Freq



8. SPECIFICHE TECNICHE

Modello	LIVEO 420P	LIVEO 530P	LIVEO 640P
Tipo di diffusore	Passivo a 2-Vie		
Grado di protezione IP	IP65		
Potenza RMS (@ 8ohm)	20W	30W	40W
Potenza di Programma (@8ohm)	40W	60W	80W
Risposta in frequenza (-10dB)	70Hz-20kHz	60Hz-20kHz	50Hz-20kHz
Sensibilità (1W @ 1m)	83dB	85dB	87dB
Impedenza	8 ohm		
Woofers	4" (103mm), cono in PP	5.25" (135mm), cono in PP	6.5" (165mm), cono in PP
Tweeter	0.5" (13mm), cupola in Mylar		1" (165mm), cupola in seta
Frequenza di crossover	3.5 kHz		2.0 kHz
Trasformatore di linea 70/100V con Selettore di potenza	(100V) 1.8W, 3.75W, 7.25W, 15W, 8Ω (70V) 0.9W, 1.8W, 3.75W, 7.5W, 8Ω	(100V) 2W, 4W, 8W, 16W, 8Ω (70V) 1W, 2W, 4W, 8W, 8Ω	(100V) 4W, 8W, 16W, 32W, 8Ω (70V) 2W, 4W, 8W, 16W, 8Ω
Struttura esterna	Polipropilene resistente ai raggi UV, riverniciabile		
Staffa	Staffa a C e staffa a Sfera con angoli Pan/Tilt regolabili e viti in acciaio inox		
Griglia	Alluminio perforato, verniciato a polvere, con tessuto protettivo interno acusticamente inerte, riverniciabile		
Colori	Bianco o Nero		
Dimensioni Prodotto - senza staffa (LxPxA)	125 x 123 x 183 mm (4.9 x 4.8 x 7.2 pollici)	156 x 156 x 227 mm (6.1 x 6.1 x 8.9 pollici)	191 x 193 x 280 mm (7.5 x 7.6 x 11.0 pollici)
Peso Diffusore (unità singola, senza staffa)	1.3kg – 2.9 lbs.	1.8kg – 4 lbs.	2.7kg – 6 lbs.
Dimensioni Imballo (LxPxA) (coppia)	358 x 154 x 212 mm (14.1 x 6.1 x 8.3 inch)	420 x 195 x 255 mm (16.5 x 7.7 x 10.0 inch)	492 x 233 x 303 mm (19.4 x 9.2 x 12 inch)
Peso Imballo (coppia)	3.4kg – 7.5 lbs.	4.5kg – 10 lbs.	6.5kg – 14.3 lbs.

I nostri prodotti sono soggetti a continui miglioramenti. Modifiche alle caratteristiche possono essere apportate senza preavviso.

9. GARANZIA E ASSISTENZA

Tutti i prodotti HELVIA® sono coperti da garanzia secondo le normative europee (2 anni in caso di vendita finale a privato - B2C; 1 anno in caso di vendita finale ad azienda - B2B). Questa garanzia è valida dalla data di acquisto da parte dell'utilizzatore finale (privato o azienda che sia), indicata nel documento di acquisto (scontrino in caso di privato; fattura in caso di azienda). I seguenti casi / componenti non sono coperti dalla garanzia di cui sopra:

- Tutti gli accessori forniti con il prodotto;
- Uso improprio;
- Guasto dovuto all'usura;
- Ogni modifica non autorizzata del prodotto effettuata dall'utente o da terzi.

HELVIA deve soddisfare gli obblighi di garanzia dovuti a eventuali materiali non conformi o difetti di fabbricazione, rimediando gratuitamente e a discrezione di HELVIA, con la riparazione o sostituzione di singole parti o dell'intero apparecchio. Eventuali parti difettose rimosse da un prodotto in caso di intervento di garanzia diventano di proprietà di HELVIA. Durante il periodo di garanzia, i prodotti difettosi possono essere restituiti al rivenditore o all'installatore HELVIA con prova di acquisto originale (scontrino o fattura). Per evitare danni durante il trasporto, si prega di utilizzare l'imballo originale, se disponibile. Per ulteriori informazioni visitate il sito: www.frenexport.com.

10. AVVISO

LEGGETE ATTENTAMENTE - solo per UE e EEA (Norvegia, Islanda e Liechtenstein).



Questo simbolo indica che il prodotto non deve essere smaltito con i rifiuti domestici, in base alla direttiva RAEE (2202/96/CE e successive modificazioni) e legislazione nazionale. Il prodotto deve essere consegnato a un centro di raccolta differenziata o, in caso di ritiro dell'usato quando si acquista un nuovo prodotto simile, ad un rivenditore autorizzato per il riciclaggio di apparecchiature elettriche ed elettroniche (RAEE).

Un uso improprio di questo tipo di rifiuti può avere un impatto negativo sull'ambiente e sulla salute umana a causa di sostanze potenzialmente pericolose che sono generalmente associate alle apparecchiature elettriche ed elettroniche. Allo stesso tempo, la vostra collaborazione per il corretto smaltimento di questo prodotto contribuirà a un utilizzo efficace delle risorse naturali.

Per ulteriori informazioni sui punti di raccolta delle apparecchiature da rottamare, contattate il comune, l'autorità di gestione dei rifiuti, strutture coinvolte nel sistema RAEE o il servizio di smaltimento dei rifiuti domestici.



www.frenexport.com



This product is imported in the European Union by
Questo prodotto è importato nell'Unione Europea da

FRENEXPORT SPA – Via Enzo Ferrari, 10 - 62017 Porto Recanati - Italy
HELVIA® is a registered trademark of FRENEXPORT SPA - Italy
HELVIA® è un marchio di fabbrica registrato di FRENEXPORT SPA - Italia