

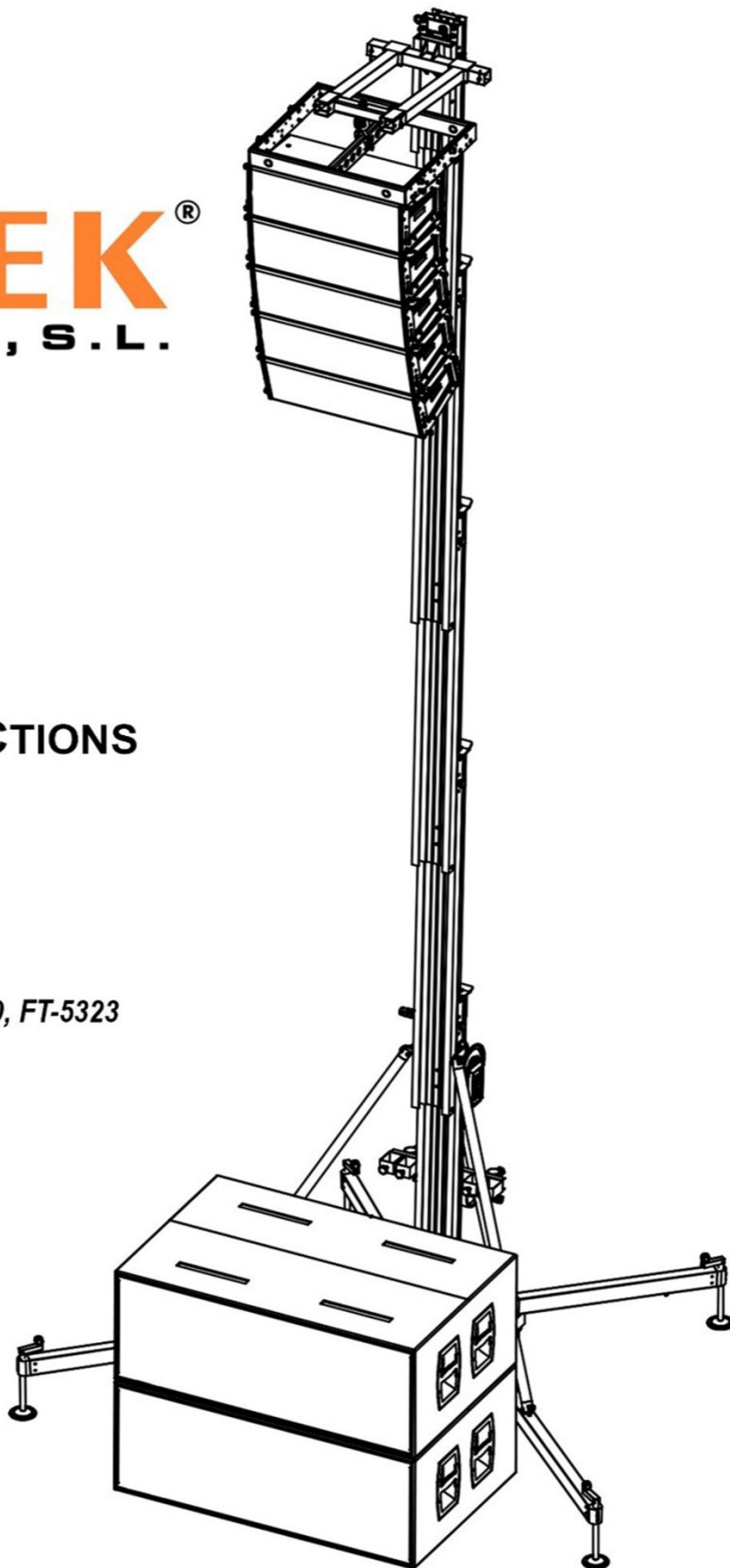
FANTEK[®]
INDUSTRIAL, S.L.

LIFTING SYSTEMS

OPERATING INSTRUCTIONS

FOR MODELS:

FT-6860, FT-7045, FT-6033, FT-6520, FT-5323



V. 5.0

IMPORTANT

Read and carefully understand all points and aspects of this manual. Loads irresponsibly can cause lethal accidents. Installation of lifting systems and proper use are only responsibility of the user.

It is recommended to attach this manual with the tower system used.

In case of doubt, consult the technical department of FANTEK Industrial.

CONTENT

| | |
|---|----|
| IMPORTANT | 2 |
| CONTACT..... | 2 |
| ILLUSTRATION INDEX..... | 2 |
| WARNING ICONS | 3 |
| RULES AND SAFETY USE..... | 3 |
| PARTS IDENTIFICATION | 10 |
| OPERATING MODES..... | 11 |
| OPERATING MODE AS MECHANISM (MECHANISM MODE) | 11 |
| OPERATING MODE AS STRUCTURE (STRUCTURAL MODE) | 11 |
| HOW TO USE STEP BY STEP | 12 |
| LINE ARRAY ELEVATION IN MECHANISM MODE | 12 |
| LINE ARRAY ELEVATION IN STRUCTURE MODE | 16 |
| TRUSS SYSTEM ELEVATION IN MECHANISM MODE | 21 |
| TRUSS SYSTEM ELEVATION IN STRUCTURE MODE | 25 |
| | 25 |
| USING THE TOWER IN STRUCTURE MODE (WIND CONDITION) | 30 |
| ACCESSORIES | 30 |
| PLACING THE LOAD..... | 31 |
| LOAD CHART | 32 |
| DYNAMIC OVERLAP | 34 |

DGV V17/18 NORM REGULATION.

| | |
|--|----|
| Explanation | 35 |
| SPECIFICATIONS..... | 36 |
| DECLARACION DE CONFORMIDAD / DECLARATION OF CONFORMITY..... | 37 |
| DGV MARK..... | 38 |

CONTACT

Internet: <http://www.fantek.net/>

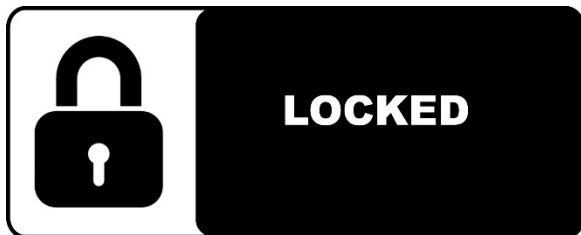
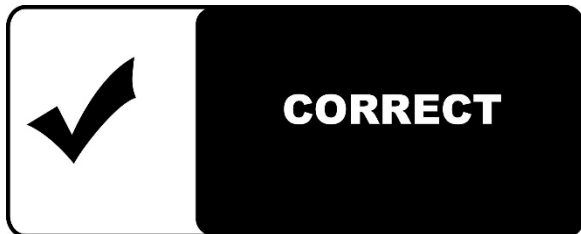
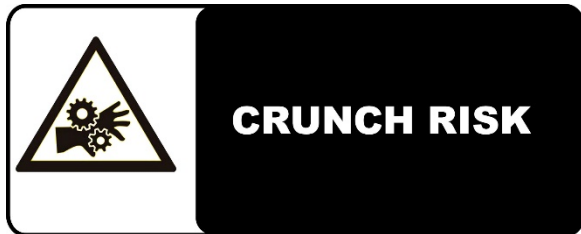
e-mail: support@fantek.net

ILLUSTRATION INDEX

| | |
|-----------------|----|
| Figure 1 | 4 |
| Figure 2 | 4 |
| Figure 3 | 4 |
| Figure 4 | 4 |
| Figure 5 | 5 |
| Figure 6 | 5 |
| Figure 7 | 5 |
| Figure 8 | 5 |
| Figure 9 | 6 |
| Figure 10 | 6 |
| Figure 11 | 6 |
| Figure 12 | 6 |
| Figure 13 | 7 |
| Figure 14 | 7 |
| Figure 15 | 7 |
| Figure 16 | 7 |
| Figure 17 | 8 |
| Figure 18 | 8 |
| Figure 19 | 8 |
| Figure 20 | 8 |
| Figure 21 | 9 |
| Figure 22 | 9 |
| Figure 23 | 9 |
| Figure 24 | 10 |
| Figure 25 | 11 |
| Figure 26 | 12 |
| Figure 27 | 12 |
| Figure 28 | 12 |
| Figure 29 | 13 |
| Figure 30 | 13 |
| Figure 31 | 13 |
| Figure 32 | 13 |
| Figure 33 | 14 |
| Figure 34 | 14 |
| Figure 35 | 14 |
| Figure 36 | 14 |
| Figure 37 | 15 |
| Figure 38 | 15 |
| Figure 39 | 15 |
| Figure 40 | 15 |
| Figure 41 | 16 |
| Figure 42 | 16 |
| Figure 43 | 17 |
| Figure 44 | 17 |
| Figure 45 | 17 |

| | |
|-----------|----|
| Figure 46 | 17 |
| Figure 47 | 18 |
| Figure 48 | 18 |
| Figure 49 | 18 |
| Figure 50 | 18 |
| Figure 51 | 19 |
| Figure 52 | 19 |
| Figure 53 | 19 |
| Figure 54 | 19 |
| Figure 55 | 20 |
| Figure 56 | 20 |
| Figure 57 | 20 |
| Figure 58 | 21 |
| Figure 59 | 21 |
| Figure 60 | 22 |
| Figure 61 | 22 |
| Figure 62 | 22 |
| Figure 63 | 22 |
| Figure 64 | 23 |
| Figure 65 | 23 |
| Figure 66 | 23 |
| Figure 67 | 23 |
| Figure 68 | 24 |
| Figure 69 | 24 |
| Figure 70 | 24 |
| Figure 71 | 24 |
| Figure 72 | 25 |
| Figure 73 | 25 |
| Figure 74 | 26 |
| Figure 75 | 26 |
| Figure 76 | 26 |
| Figure 77 | 26 |
| Figure 78 | 27 |
| Figure 79 | 27 |
| Figure 80 | 27 |
| Figure 81 | 27 |
| Figure 82 | 28 |
| Figure 83 | 28 |
| Figure 84 | 28 |
| Figure 85 | 28 |
| Figure 86 | 29 |
| Figure 87 | 29 |
| Figure 88 | 29 |
| Figure 89 | 31 |
| Figure 90 | 31 |
| Figure 91 | 31 |
| Figure 92 | 32 |
| Figure 93 | 32 |
| Figure 94 | 33 |
| Figure 95 | 34 |
| Figure 96 | 36 |

WARNING ICONS



RULES AND SAFETY USE

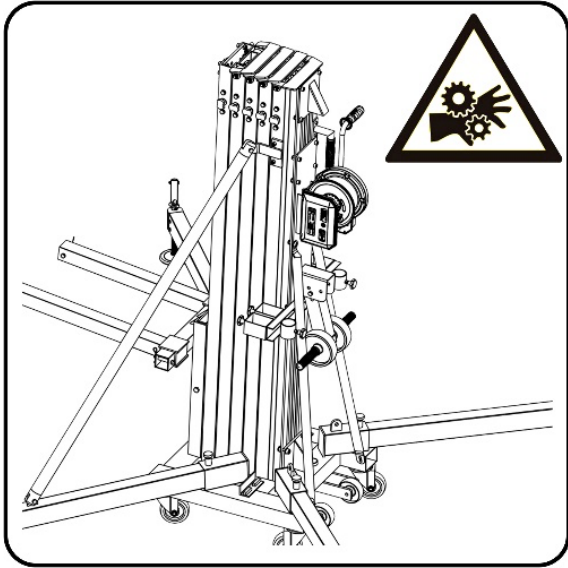


Figure 1

Keep hands and fingers away from moving parts of the tower.

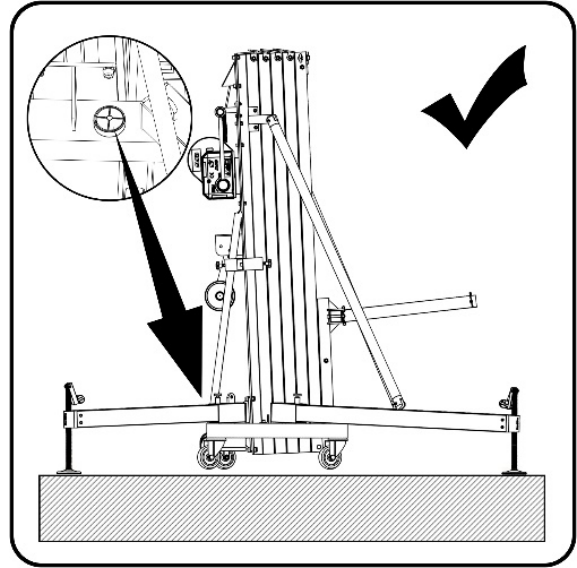


Figure 3

Do not lift the tower without proper leveling. To lift a load, the tower must always be stabilized.

The wheels must not touch the ground.

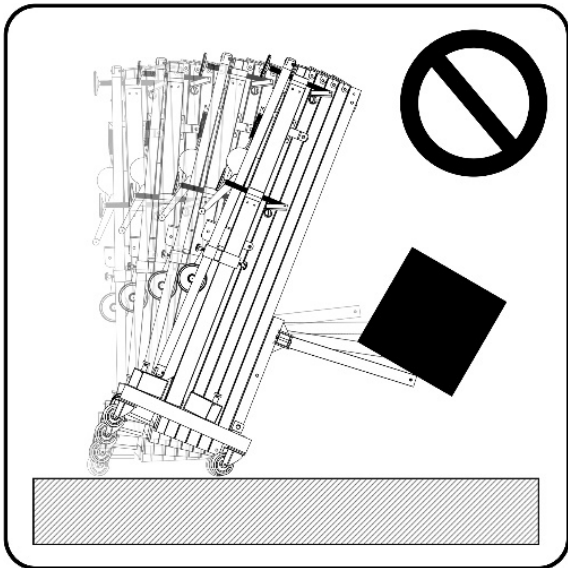


Figure 2

Not charge the tower without the stabilizer legs.

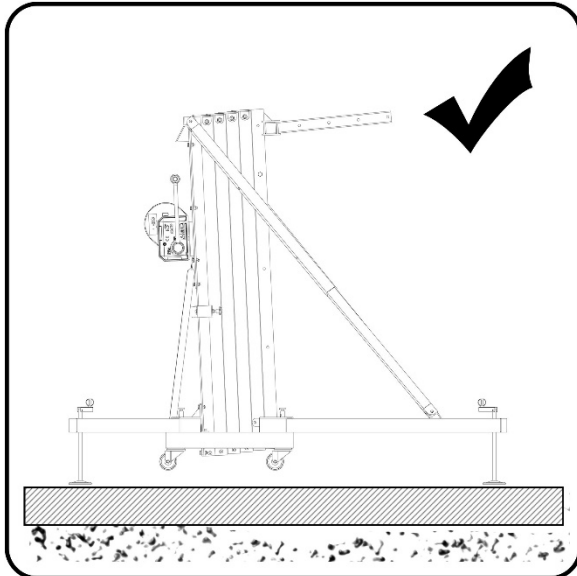


Figure 4

Place the tower on a stable surface.

If the ground has a low degree of compaction (earth, gravel, etc..) consult the section of load data.

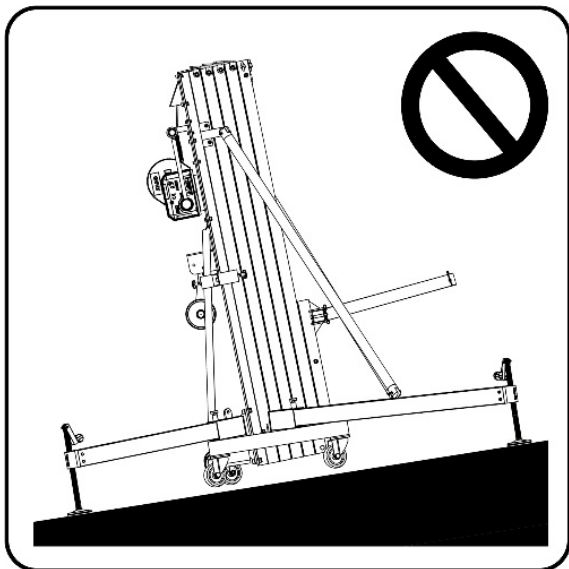


Figure 5

Do not use the tower on inclined surfaces that require pieces to level the tower.

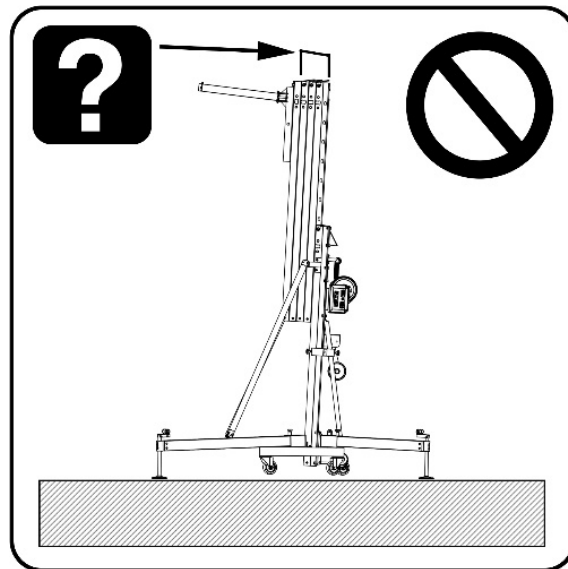


Figure 7

Lift the mast in the correct order.

Lift the mast of the tower starting always with the carriage. The last mast lifted must be the next to the section where the winch is placed.

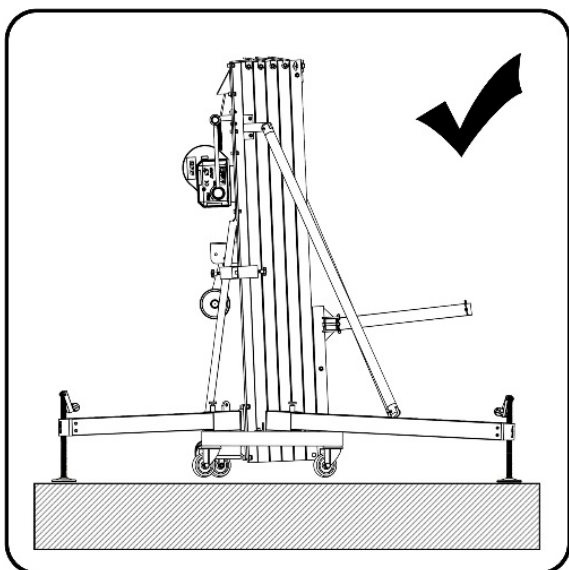


Figure 6

Mount the longest stabilizer legs in the part of the horns. Safety pins must lock the stabilizers.

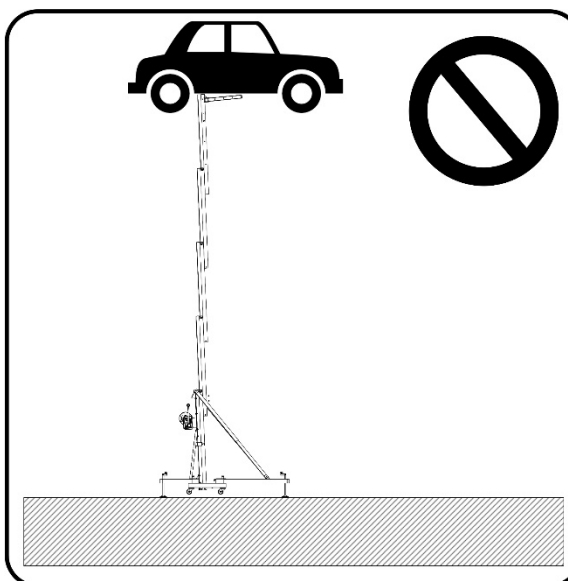


Figure 8

Before placing a load, make sure that the load never exceeds the maximum allowed. Consult the section of load data.

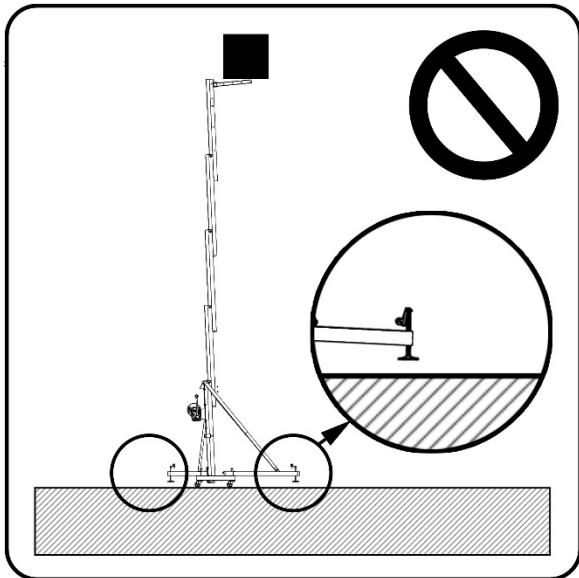


Figure 9

Never move a load without leveling the tower before.

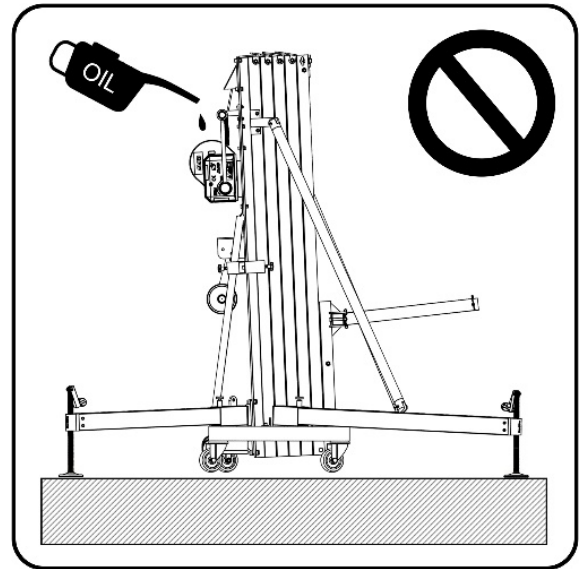


Figure 11

Not grease or lubricate the mechanism of the winch and the pulleys of the masts.



Figure 10

Do not use ladders on the tower or leaning against it.

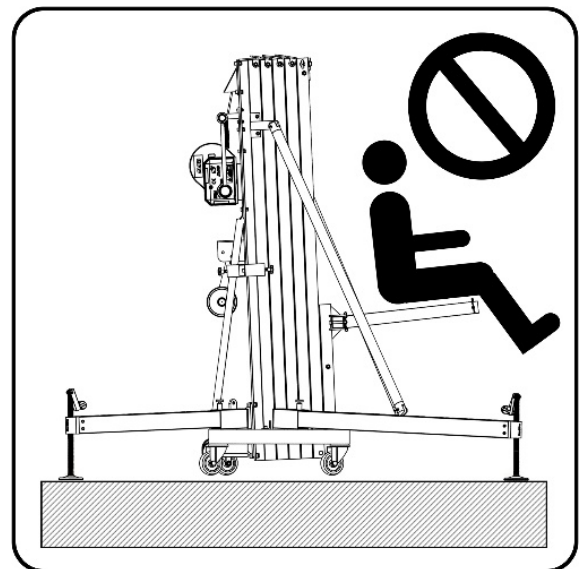


Figure 12

Not allowed to lift people or animals.

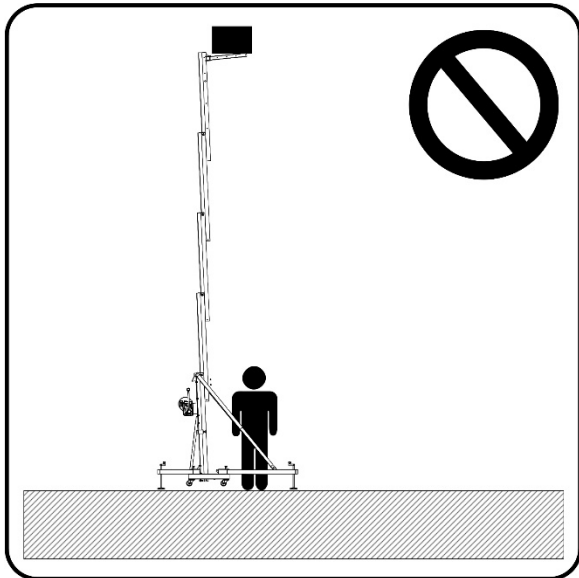


Figure 13

Do not stand under the load. The load must be secured to the tower in order to prevent that it cannot fall down.



Figure 14

Verify that the tower is beyond the reach of power lines.

The tower is not electrically insulated and can transmit currents of power lines.

On the following table is recommended the average length between the highest part of the structure and the power lines.

| Voltage | Min. distance | |
|-----------------|---------------|-------|
| | Meters | Feet |
| 0 to 230v | 1.5 | 4.92 |
| 230v to 400v | 2.8 | 9.19 |
| 400v to 50Kv | 3.4 | 11.15 |
| 50Kv to 200Kv | 4.9 | 16.08 |
| 200Kv to 350Kv | 6.5 | 21.33 |
| 350Kv to 500Kv | 8.2 | 26.90 |
| 500Kv to 750Kv | 11.3 | 37.07 |
| 750Kv to 1000Kv | 14.2 | 46.59 |

Figure 15

Not use the tower as welding mass.

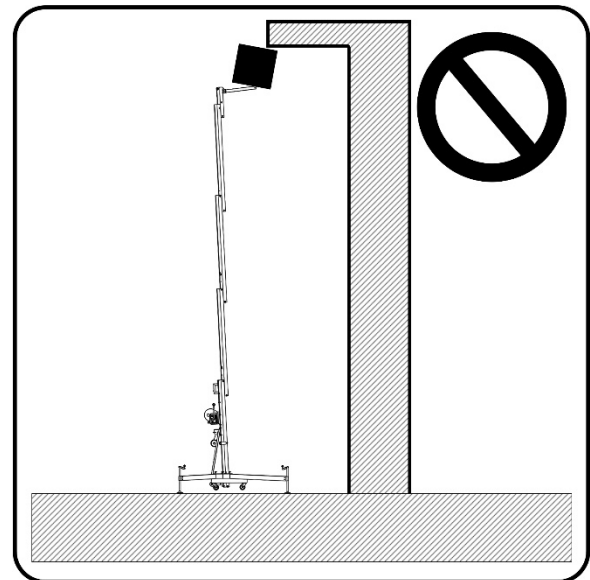


Figure 16

Not lift a load if there is danger of collision. Take at least 1.5 meters on any direction to lift the load safety.

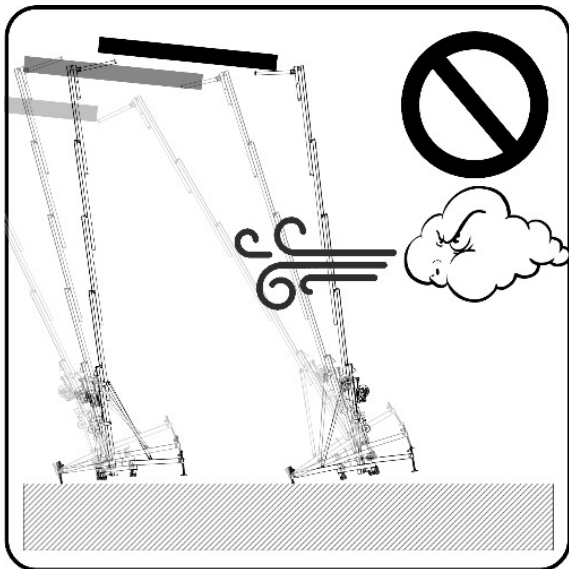


Figure 17

The tower can be used outdoor **only in structural mode and with the loads marked as mechanism mode (for security purpose)**, if the wind speed is low and If it doesn't put the installation at risk. The installation is always under the responsibility of the owner.

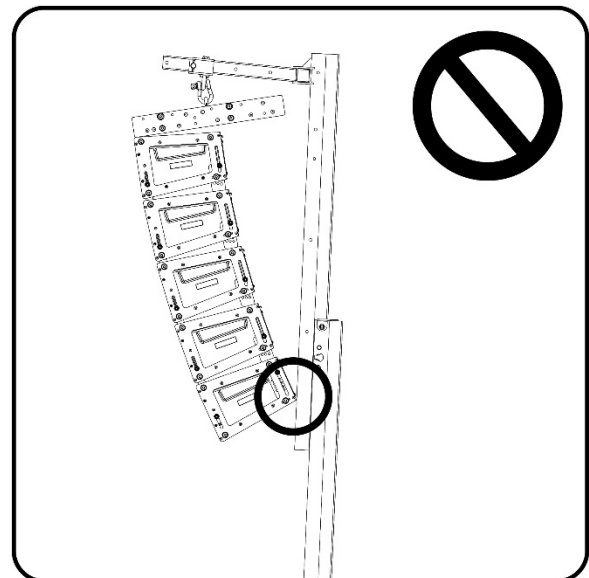


Figure 19

Prevent that the load do not touch the tower

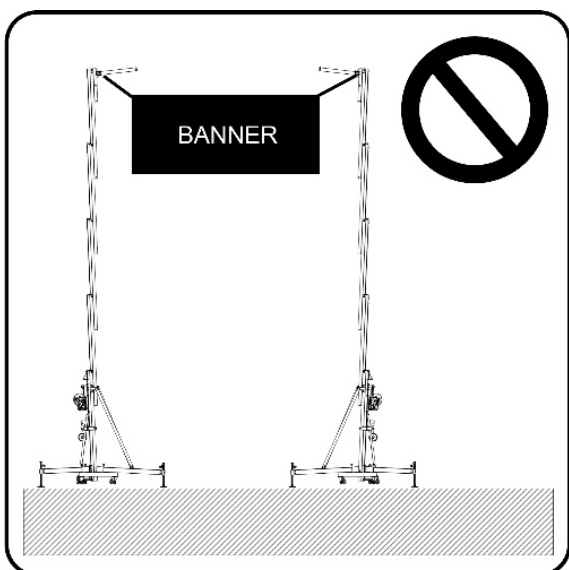


Figure 18

Do not use the tower as a support of banners or another type of decoration with strong wind that can destabilize the tower and make it falls down.

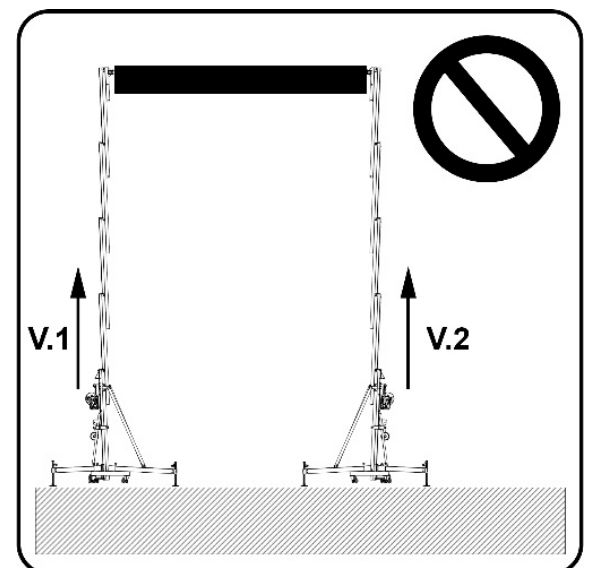


Figure 20

Do not lift structures that require more than one tower at different speeds

$V1 \neq V2$ No lift

$V1 = V2$ Ok

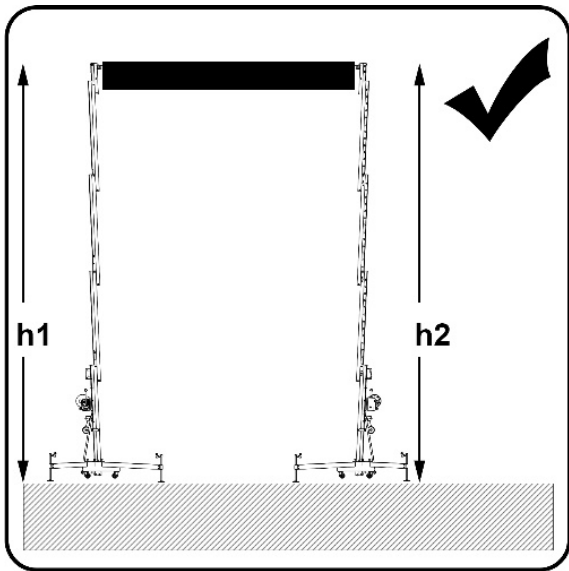


Figure 21

The structure must be levelled correctly. If not, the structure can fall.

Always $h1 = h2$

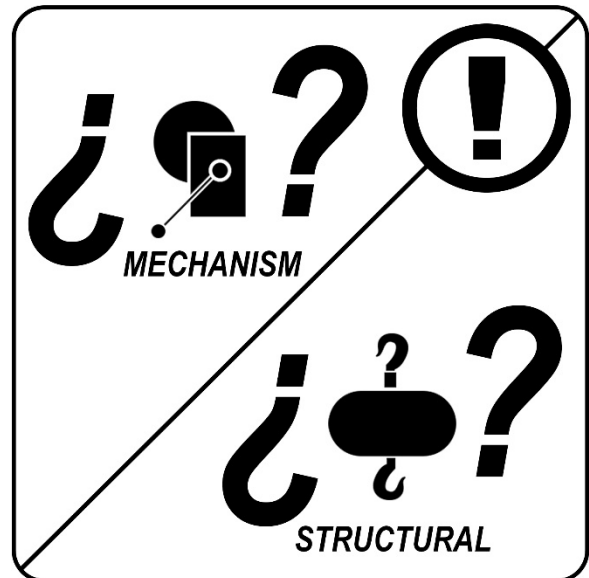


Figure 23

Never use structural loads in mechanism mode. It can result in a dangerous use and can break internal parts of the tower.



**IMPORTANT !!! FOR STRUCTURAL OPERATION,
USE ONLY MANUAL HOISTS**

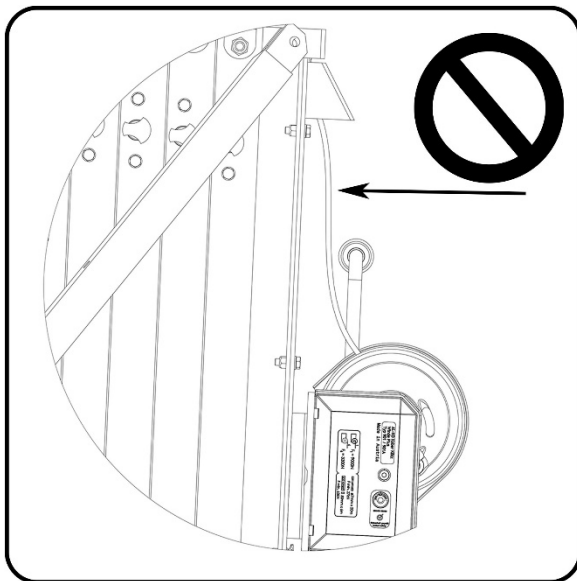


Figure 22

Under no circumstances should the tower be descended if the cable does not have sufficient tense. The cable should **ALWAYS** be tensioned in order to release the safety systems.

PARTS IDENTIFICATION

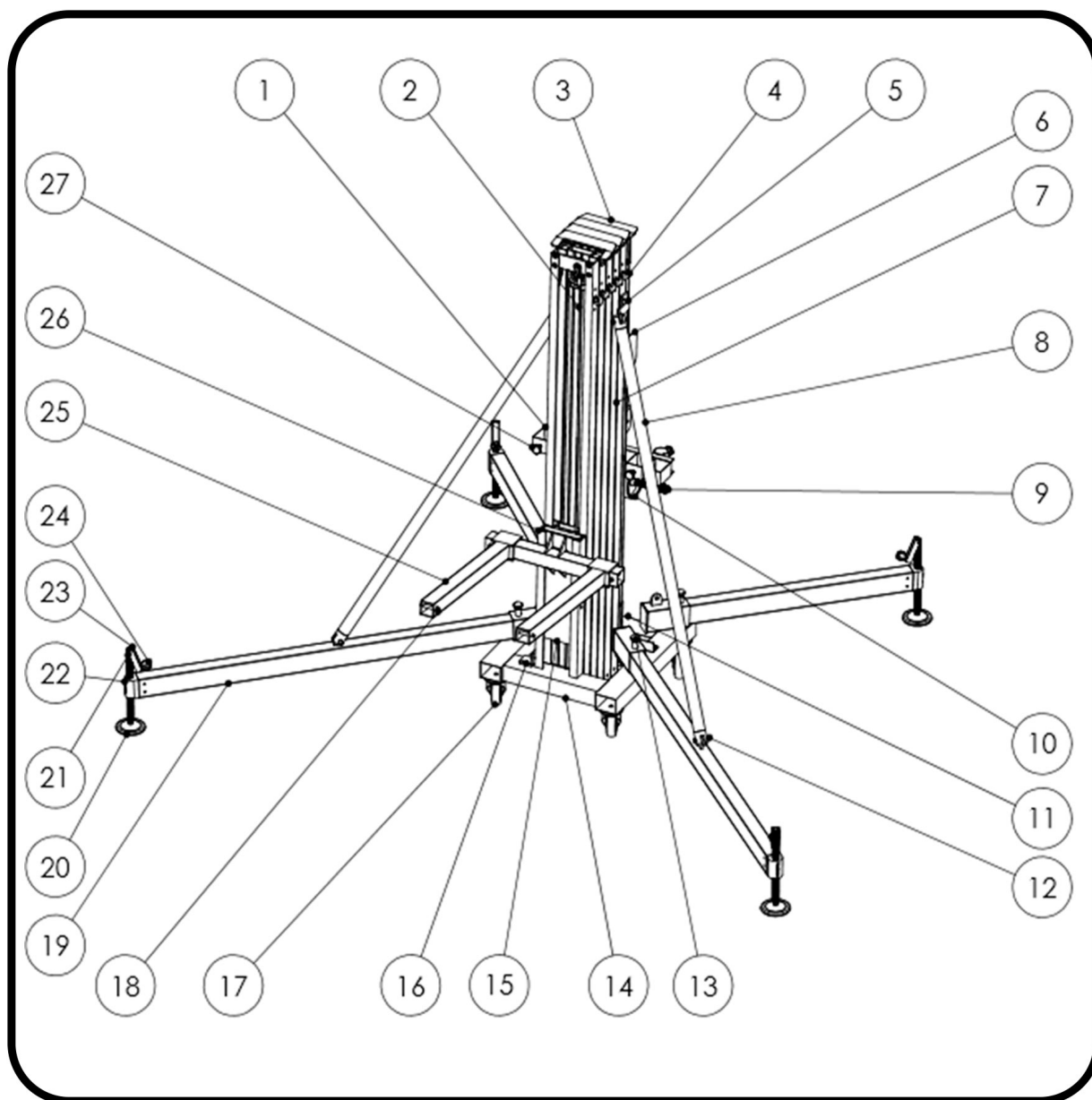


Figure 24.

| | | | |
|---|----------------------------------|----|---------------|
| 1 | Support stabilizer legs carrier | 11 | Steel carrier |
| 2 | Steel cable | 12 | Base wheel |
| 3 | Top boost reinforcement | 13 | Pin horn |
| 4 | Red knob mast security system | 14 | Frontal leg |
| 5 | Strut reinforcement mast support | 15 | Steel carrier |
| 6 | Winch | 16 | Leveler screw |
| 7 | Tower mast | 17 | Leveler brace |
| 8 | Steel reinforcement strut | 18 | Leveler knob |

| | | | |
|----|-------------------------------|----|------------------|
| 9 | Red knob base security system | 19 | Forks |
| 10 | Tower base | 20 | Leg carrier knob |

OPERATING MODES

OPERATING MODE AS MECHANISM (MECHANISM MODE)

This mode involves lifting the load with the help of the winch. That is, the winch is driven and the pulleys and cables are in charge of engaging and finally raising the load.

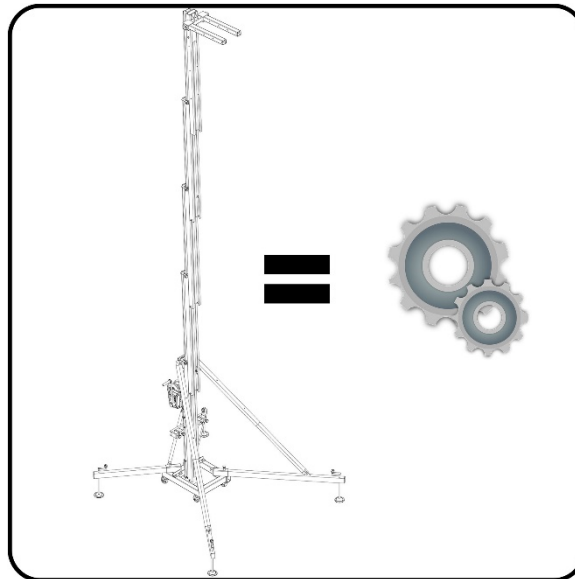


Figure 25

OPERATING MODE AS STRUCTURE (STRUCTURAL MODE)

This mode involves lifting the load with the help of a manual hoist. That is, the tower is used as a structure that is all locked to the required working height. Once the tower is raised to this desired height, the load must be raised with the hoist.



IMPORTANT !!! FOR THIS PURPOSE, USE ONLY MANUAL HOISTS

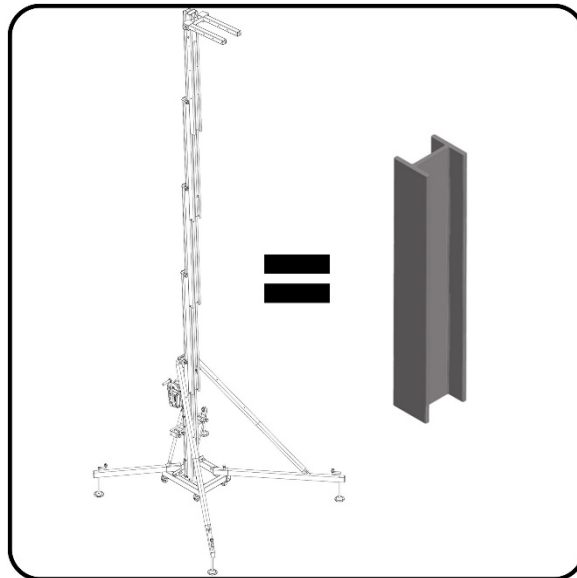


Figure 26

HOW TO USE STEP BY STEP

LINE ARRAY ELEVATION IN MECHANISM MODE

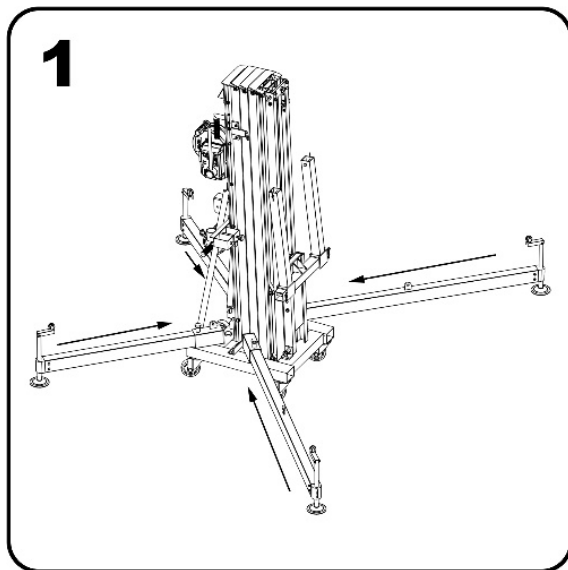


Figure 27

Fix and secure the stabilizer legs to the base.

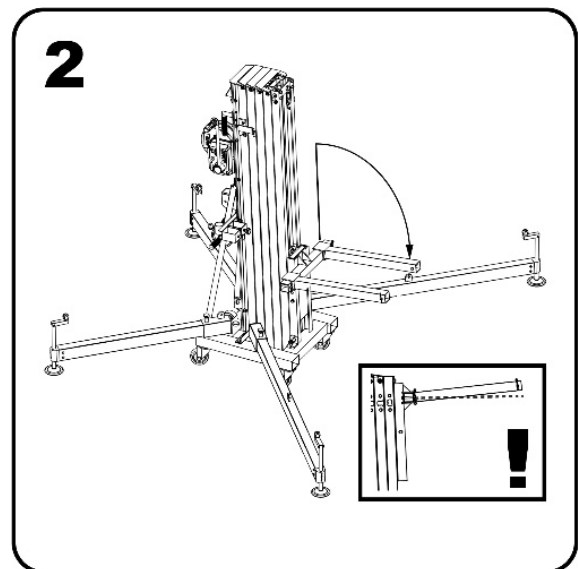


Figure 28

Turn the forks and adjust to the desired width. Ensure it with the pins.

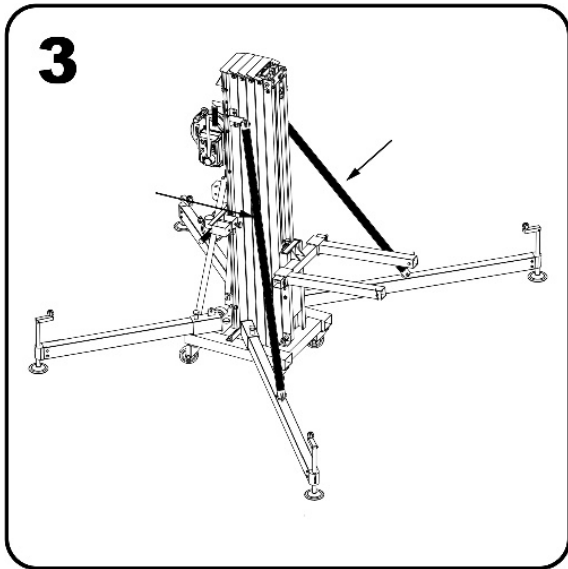


Figure 29

Place the reinforcement bars and fix them with its pins to frontal legs.

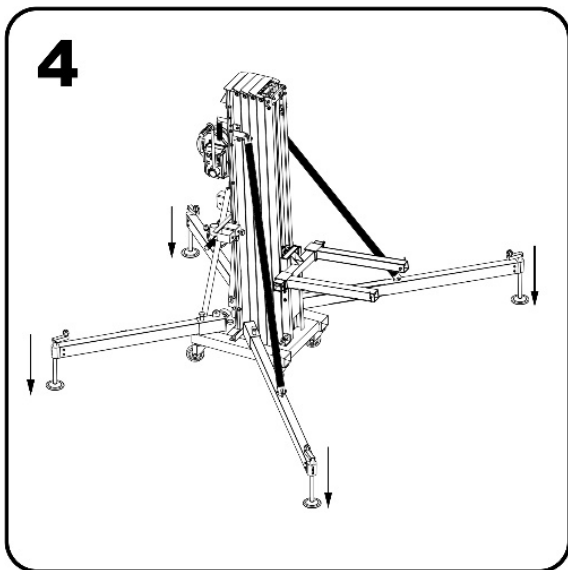


Figure 30

Place the tower in its working position and level until the bubble level is centered. Wheels should not come into contact with the ground.

Calculate the load to be lifted with the tower. An example of basic load calculation is attached.


| ITEM | WEIGHT (kg) | QUANTITY | TOTAL (kg) |
|------|-------------|----------|------------|
|------|-------------|----------|------------|

| | | | |
|----------------------|-----|---|-------|
| line array accessory | 5,5 | 1 | 5,5 |
| Bumper | 35 | 1 | 35 |
| Loudspeakers | 28 | 4 | 112 |
| Cables | 20 | 1 | 20 |
| | | | 172,5 |

Figure 31

In this example we have obtained a weight of 172,5 kg.

With that load, see what position the load should have on the forks of the tower. Take into account that the inclination of the loudspeakers and the bumper should not support any part of the tower.



| | | AS MECHANISM | | | | |
|---------|-----|--------------|------|------|------|------|
| | | P1 | P2 | P3 | P4 | P5 |
| FT-6860 | lbs | 1323 | 1257 | 1180 | 1113 | 1036 |
| | kg | 600 | 570 | 535 | 505 | 470 |
| FT-7045 | lbs | 992 | 849 | 705 | 562 | X |
| | kg | 450 | 385 | 320 | 255 | X |
| FT-6033 | lbs | 728 | 661 | 595 | 518 | X |
| | kg | 330 | 300 | 270 | 235 | X |
| FT-6520 | lbs | 441 | 436 | 432 | 428 | X |
| | kg | 200 | 198 | 196 | 194 | X |
| FT-5323 | lbs | 518 | 496 | 474 | 452 | X |
| | kg | 235 | 225 | 215 | 205 | X |

Figure 32

Choose the FT tower model. Check for the value immediately above the load you need. With this value, take the farthest position to which the accessory for flying must be placed. It is recommended that this position is always as close to the carriage.

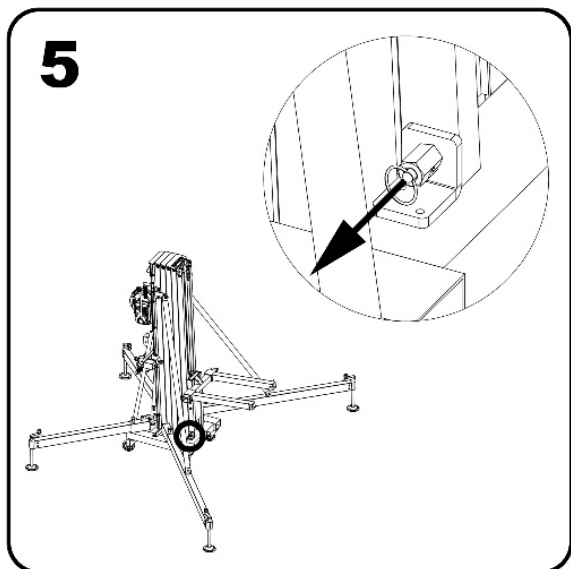


Figure 33

Unlock the security brake of the aluminium carrier

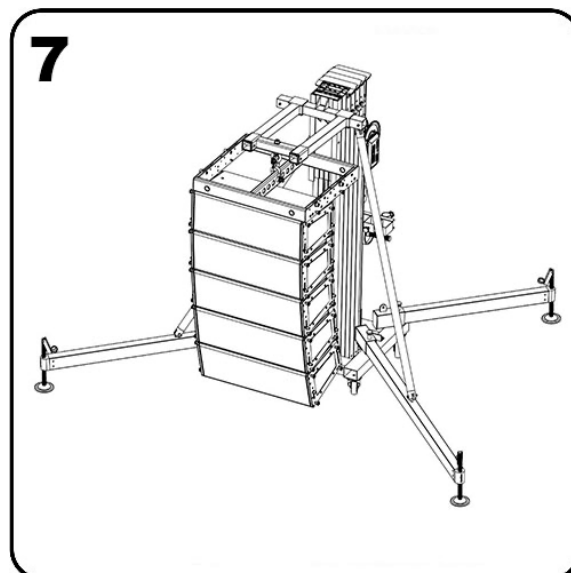


Figure 35

Join the line array equipment to the tower.

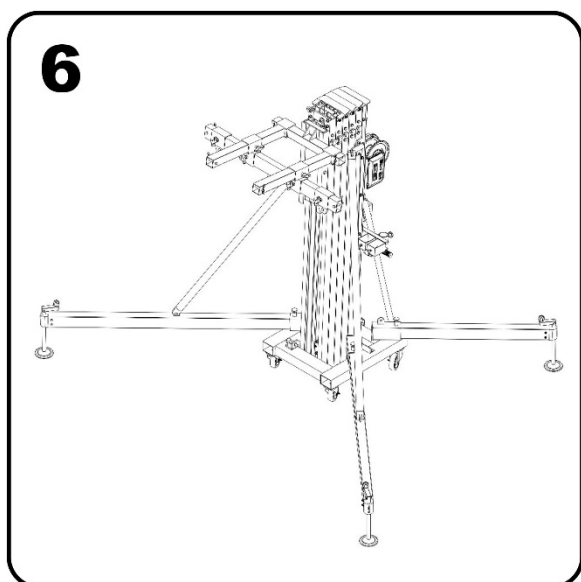


Figure 34

Place the accessory in the calculated position. Block it making sure that the screws are inserted into the hole of the fork position.

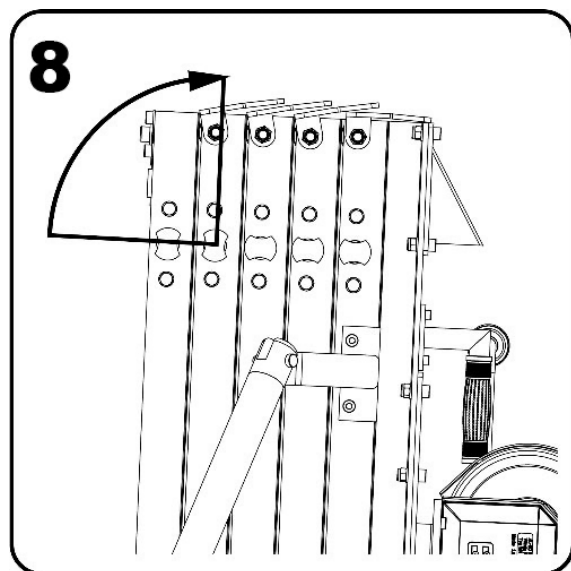


Figure 36

Unlock the mast safety system. Operate the winch handle to raise the load.

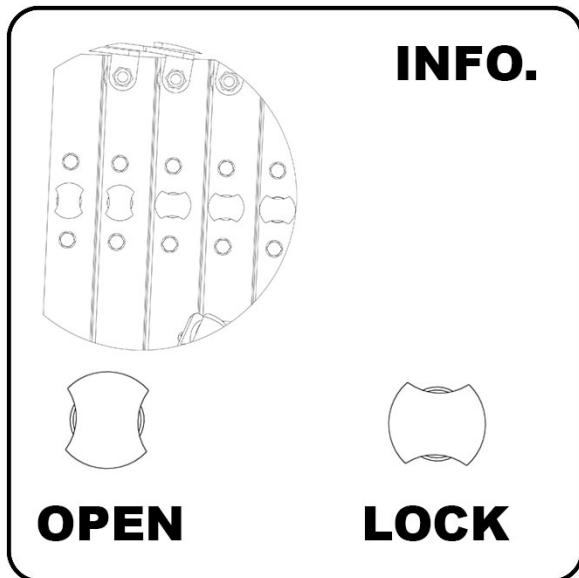


Figure 37

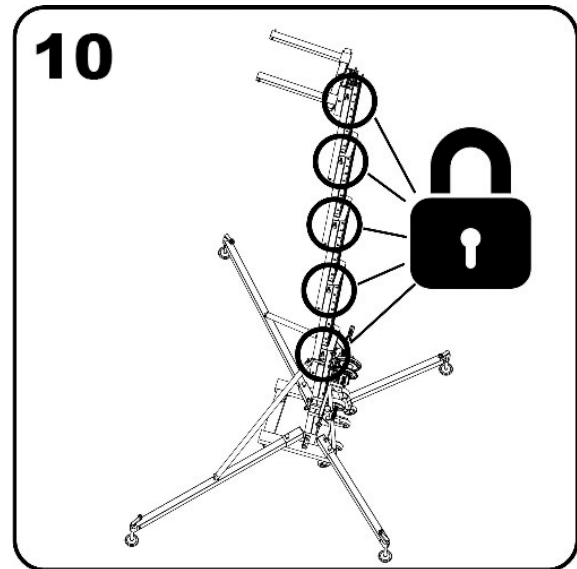


Figure 39

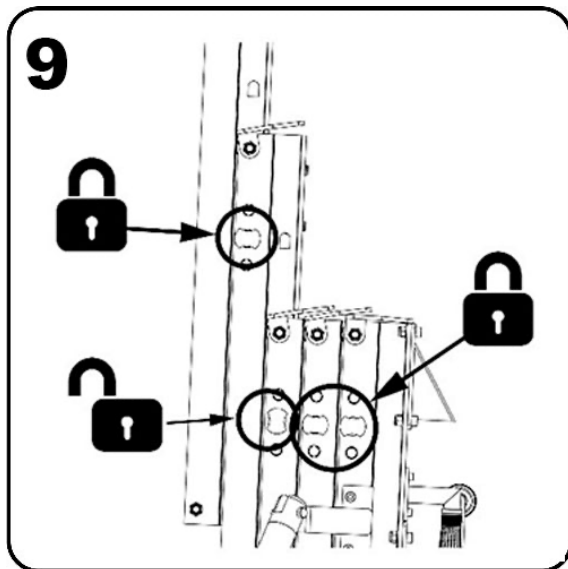


Figure 38

When the section reaches its limit, lock with the security system and unlock the following security system to lift the next mast. Do the same operation until you reach the required height.

All security systems must be in locked position. Slack the cable of the winch so that the system can stabilize correctly.

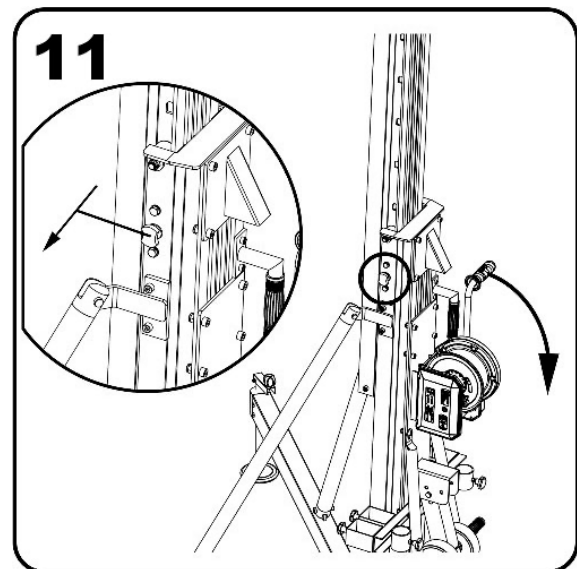


Figure 40

To descend the load. **Tense the cable and unlock the first security system.** Turn the winch while keeping the safety system unlocked with your other hand. If the safety system is not operated with one hand, the tower will lower until it is locked.

WARNING! If the tower is attempted to go down without tension in the cable and any of the safety systems are activated, a dangerous situation will occur because the load will descend very abruptly, being able to destabilize the whole installation and incurring in a serious accident.

Once the load is descended, block all sections and follow steps 4 to 1 (in that order)

LINE ARRAY ELEVATION IN STRUCTURE MODE

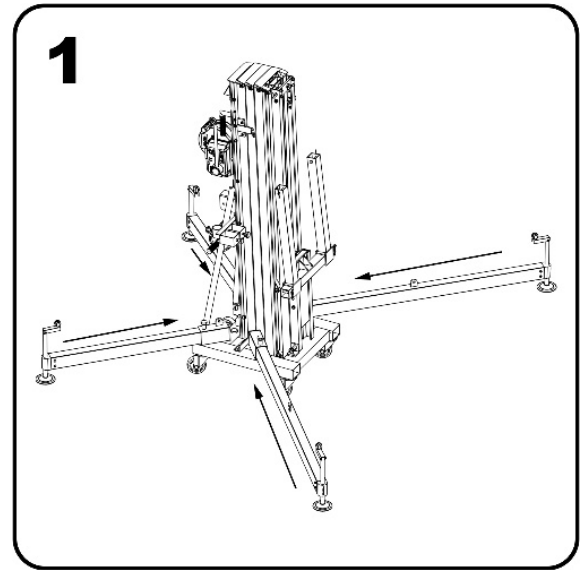


Figure 41

Fix and secure the stabilizer legs to the base.

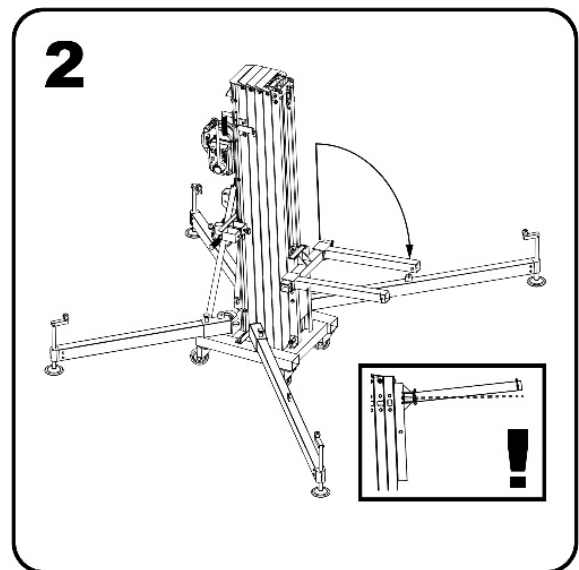


Figure 42

Turn the forks and adjust to the desired width.
Ensure it with the pins.

Calculate the load to be lifted with the tower. An example of basic load calculation is attached.

| ITEM | WEIGHT (kg) | QUANTITY | TOTAL (kg) |
|----------------------|-------------|----------|------------|
| Line array accessory | 5,5 | 1 | 5,5 |
| Bumper | 35 | 1 | 35 |
| Loudspeakers | 28 | 6 | 168 |
| Cables | 30 | 1 | 30 |
| | | | 238,5 |

Figure 45

In this example we have obtained a weight of 238,5 kg.

With that load, see what position the load should have on the forks of the tower. Take into account that the inclination of the loudspeakers and the bumper should not support any part of the tower.

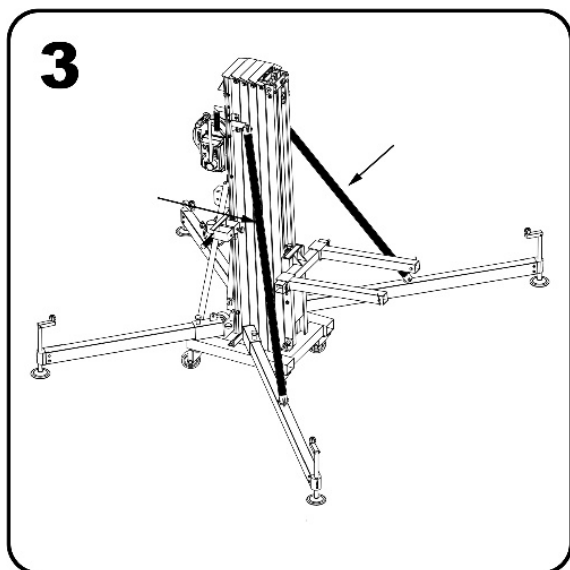


Figure 43

Place the reinforcement bars and fix them with its pins to the frontal legs.

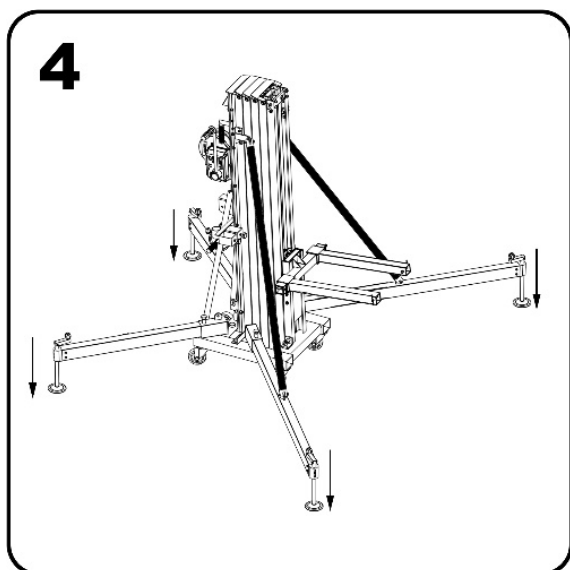



Figure 44

Place the tower in its working position and level until the bubble level is centered. Wheels should not come into contact with the ground



| | | AS STRUCTURE | | | | |
|---------|-----|--------------|------|------|------|------|
| | | P1 | P2 | P3 | P4 | P5 |
| FT-6860 | lbs | 1885 | 1775 | 1609 | 1268 | 1036 |
| | kg | 855 | 805 | 730 | 575 | 470 |
| FT-7045 | lbs | 1135 | 882 | 716 | 562 | X |
| | kg | 515 | 400 | 325 | 255 | X |
| FT-6033 | lbs | 1003 | 871 | 683 | 529 | X |
| | kg | 455 | 395 | 310 | 240 | X |
| FT-6520 | lbs | 794 | 771 | 617 | 485 | X |
| | kg | 360 | 350 | 280 | 220 | X |
| FT-5323 | lbs | 1003 | 838 | 772 | 452 | X |
| | kg | 455 | 380 | 350 | 305 | X |

Figure 46

Choose the FT tower model. Check for the value immediately above the load you need. With this value, take the exact position to which the accessory for flying must be placed.

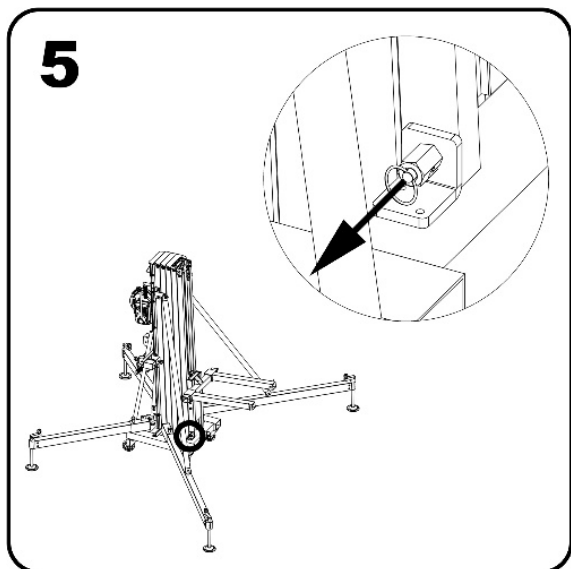


Figure 47

Unlock the security brake of the aluminium carrier

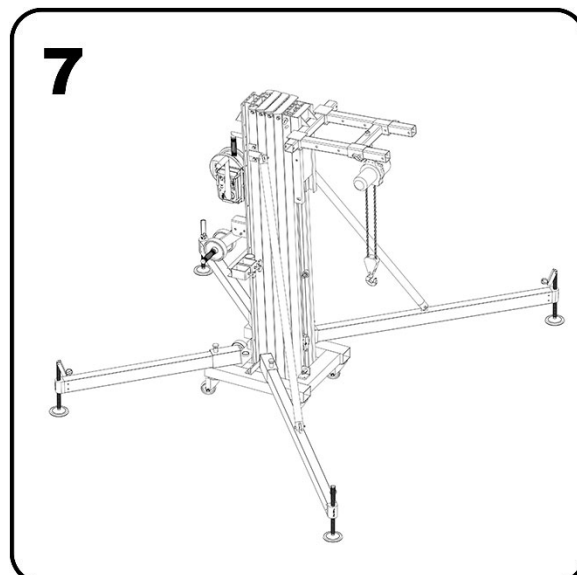


Figure 49

Hung the manual hoist of the tower support. The hoist must have a path equal to or greater than the maximum height of the tower.

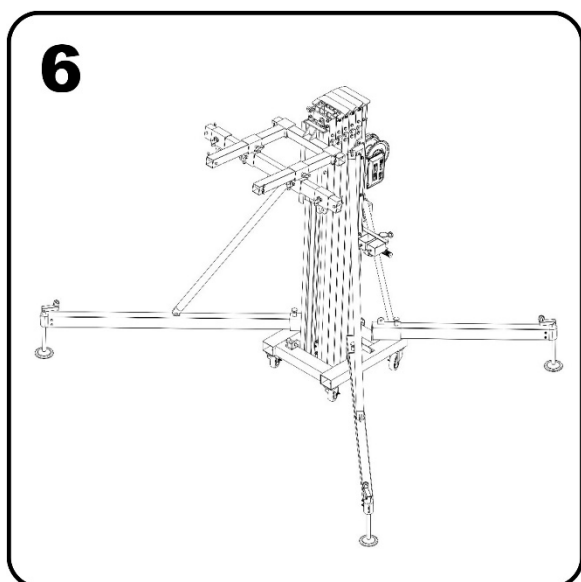


Figure 48

Place the accessory in the calculated position.

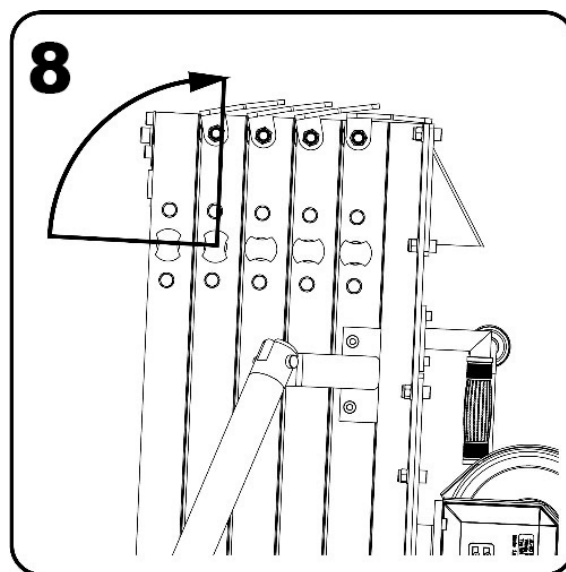


Figure 50

Unlock the mast safety system. Operate the handle of the winch to raise the load.



IMPORTANT !!! FOR THIS PURPOSE, USE ONLY MANUAL HOISTS

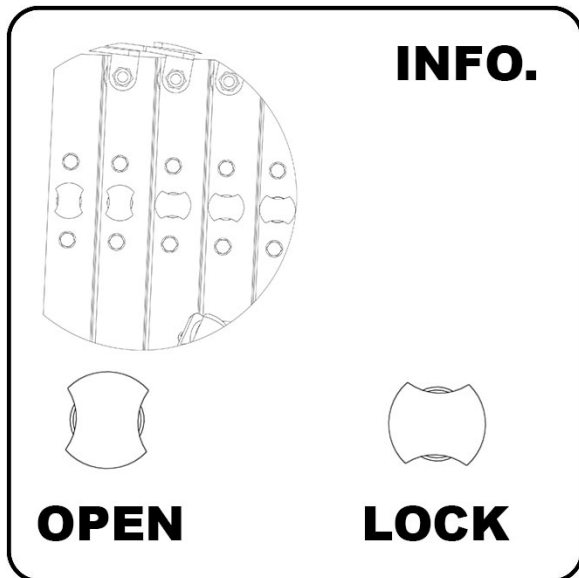


Figure 51

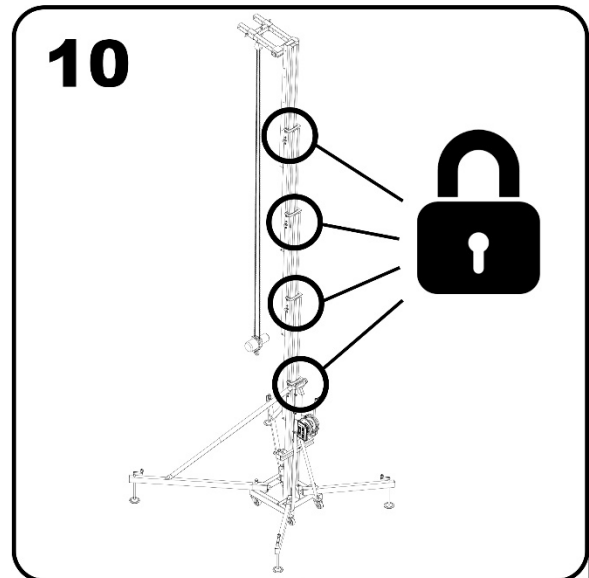


Figure 53

All security systems must be in locked position. Slacken the cable of the winch so that the system can stabilize correctly.

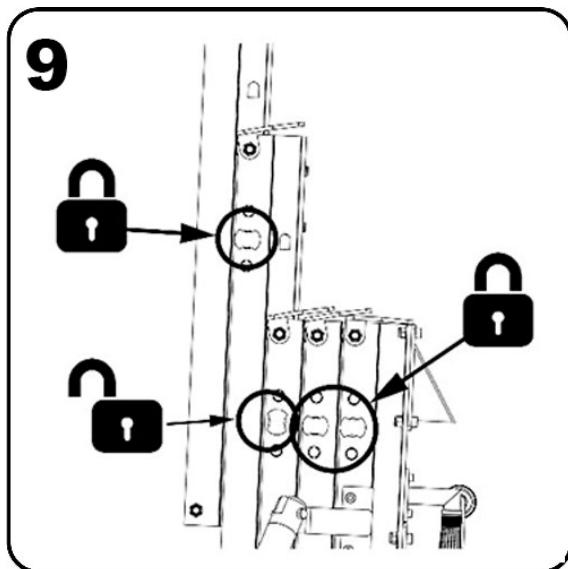


Figure 52

When the section reaches its end of path, lock with the safety system and unlock the next safety system to raise the next mast. Perform the same operation until you reach the required height.

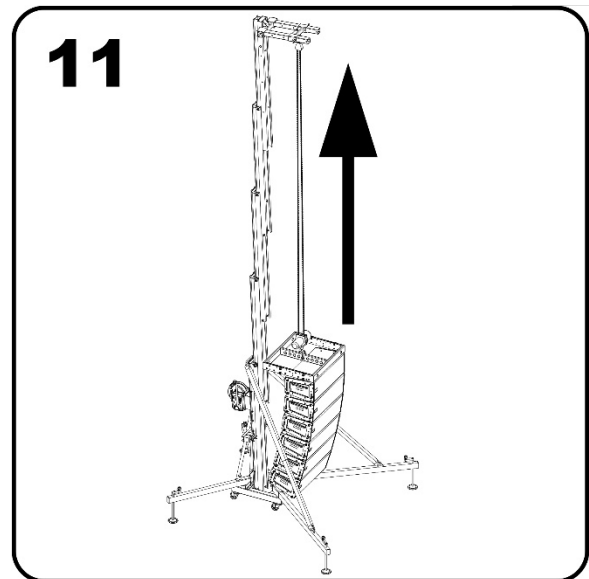


Figure 54

Raise the load with the hoist to the required height.

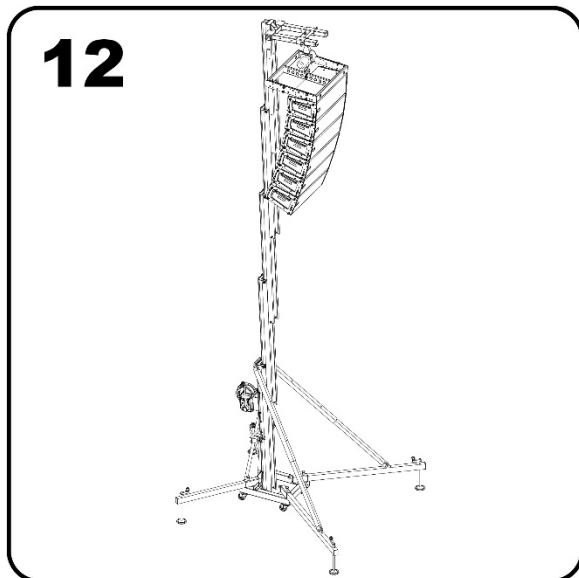


Figure 55

Take into account the space of the manual hoist. This dimension causes that the maximum height of the tower to be reduced.

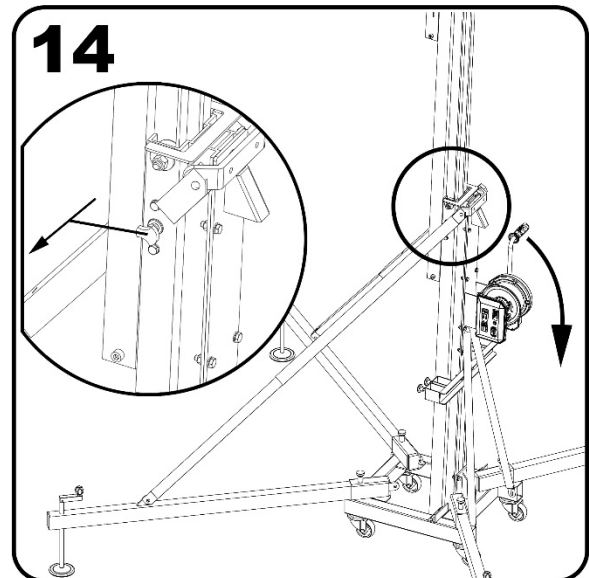


Figure 57

To descend the load. **Tense the cable and unlock the first security system.** Turn the winch while keeping the safety system unlocked with your other hand. If the safety system is not operated with one hand, the tower will lower until it is locked.

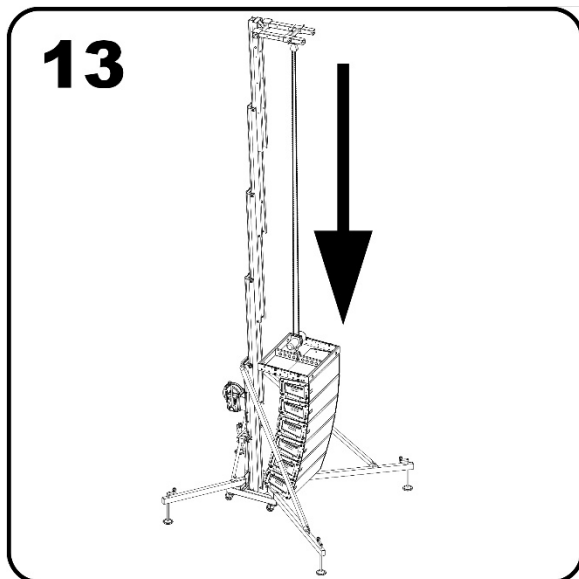


Figure 56

To descend the load. Descend the load with the manual hoist until it is just above the ground. **The load should never be descended with the tower winch.**

WARNING! If the tower is attempted to go down without tension in the cable and any of the safety systems are activated, a dangerous situation will occur because the load will descend very abruptly, being able to destabilize the whole installation and incurring in a serious accident.

Once the load is descended, block all sections and follow steps 4 to 1 (in that order).

TRUSS SYSTEM ELEVATION IN MECHANISM MODE

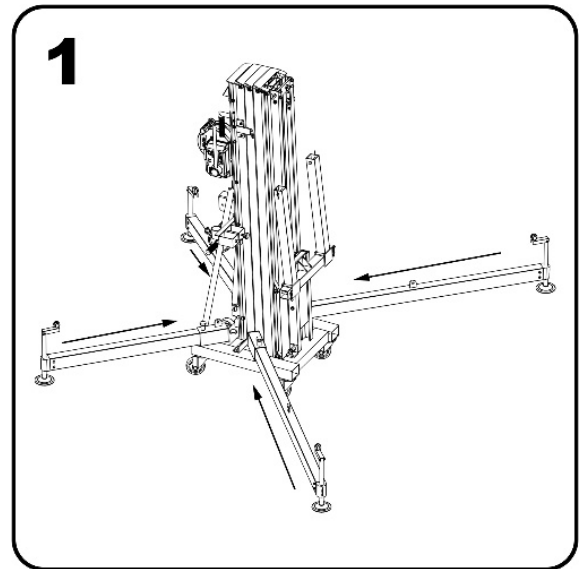


Figure 58

Fix and secure the stabilizer legs to the base.

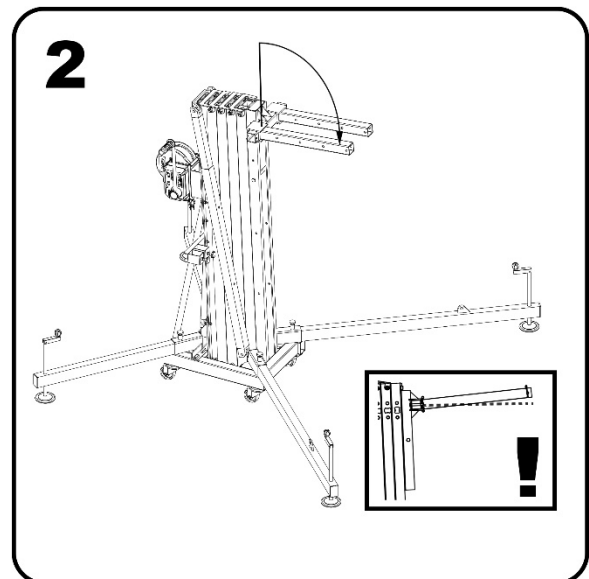


Figure 59

Turn the forks and adjust to the desired width. Ensure it with the pins.

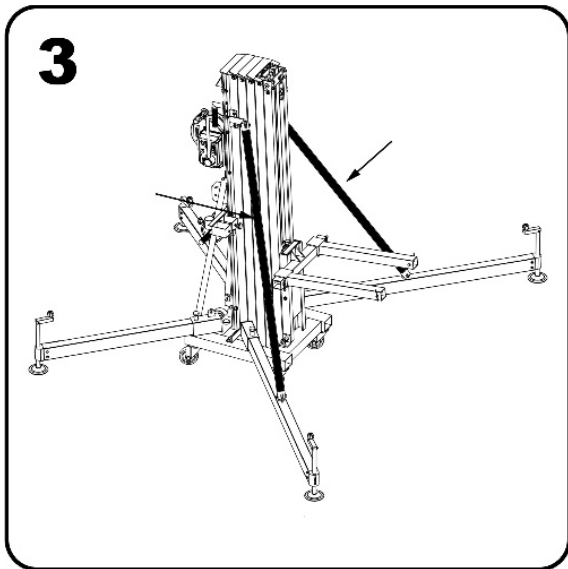


Figure 60

Place the reinforcement bars and fix them with its pins to frontal legs.

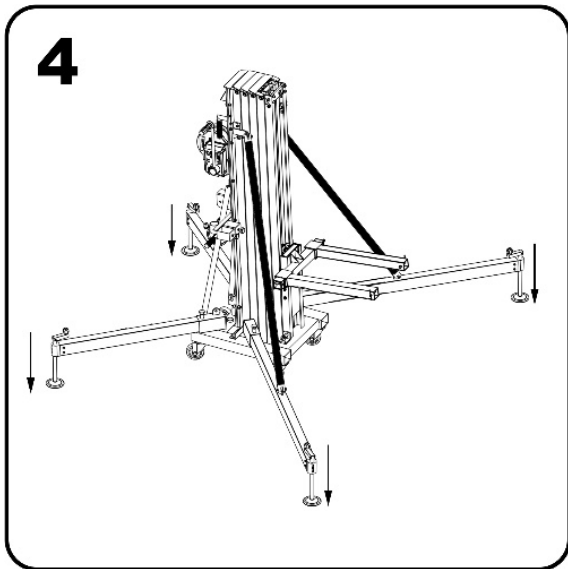


Figure 61

Place the tower in its working position and level until the bubble level is centered. Wheels should not take into contact with the ground


Calculate the load to be lifted with the tower. An example of basic load calculation is attached.

| ITEM | WEIGHT (kg) | QUANTITY | TOTAL (kg) |
|-----------------------|-------------|----------|------------|
| Truss accessory | 0,75 | 2 | 1,5 |
| Complete truss system | 53,3 | 0,5 | 26,65 |
| Loads | 368 | 0,5 | 184 |
| Cables | 38 | 0,5 | 19 |
| | | | 231,15 |

Figure 62

In this example we have a weight of 231,15 kg.

With that load, check what position the load should have on the tower fork. Take into account that the truss is supported by two points of the fork. To find out which is the largest load, take the farthest position from the base of the fork.



| | | AS MECHANISM | | | | |
|---------|-----|--------------|------|------|------|------|
| | | P1 | P2 | P3 | P4 | P5 |
| FT-6860 | lbs | 1323 | 1257 | 1180 | 1113 | 1036 |
| | kg | 600 | 570 | 535 | 505 | 470 |
| FT-7045 | lbs | 992 | 849 | 705 | 562 | X |
| | kg | 450 | 385 | 320 | 255 | X |
| FT-6033 | lbs | 728 | 661 | 595 | 518 | X |
| | kg | 330 | 300 | 270 | 235 | X |
| FT-6520 | lbs | 441 | 436 | 432 | 428 | X |
| | kg | 200 | 198 | 196 | 194 | X |
| FT-5323 | lbs | 518 | 496 | 474 | 452 | X |
| | kg | 235 | 225 | 215 | 205 | X |

Figure 63

Choose the FT tower model. Check for the value immediately above the load you need. With this value, take the exact position to which the accessory for fixing the truss must be placed.

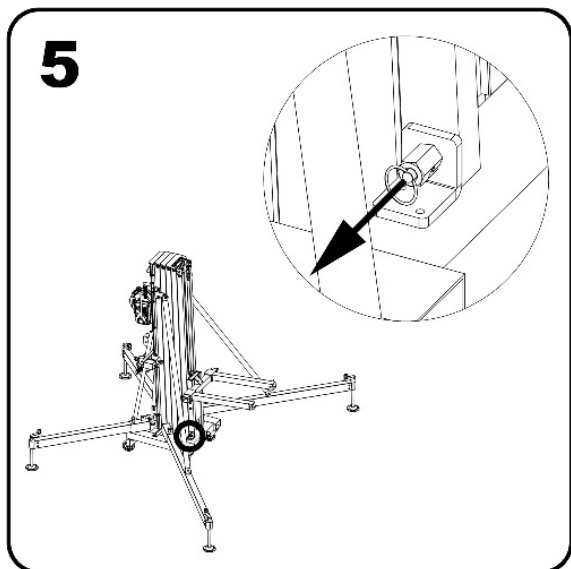


Figure 64

Unlock the security brake of the aluminium carrier

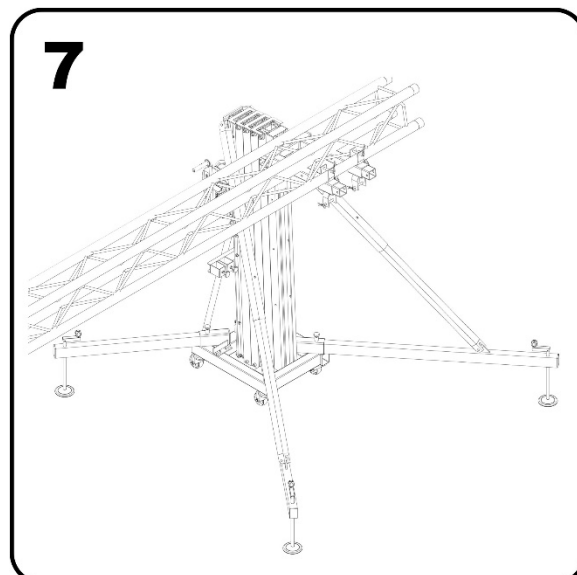


Figure 66

Join the truss system to the tower.

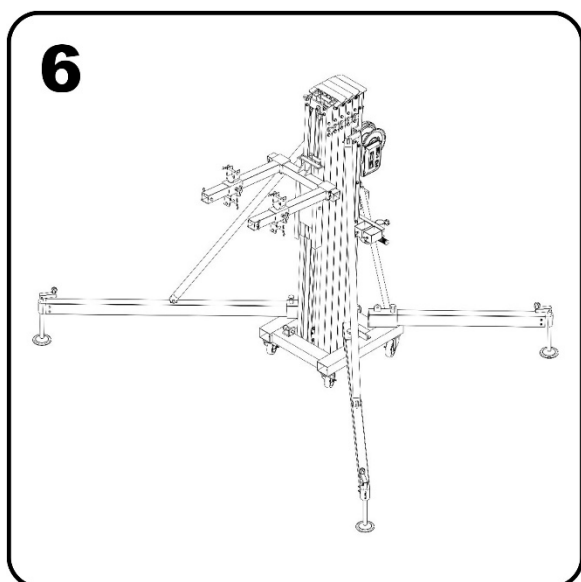


Figure 65

Place the accessory in the calculated position.

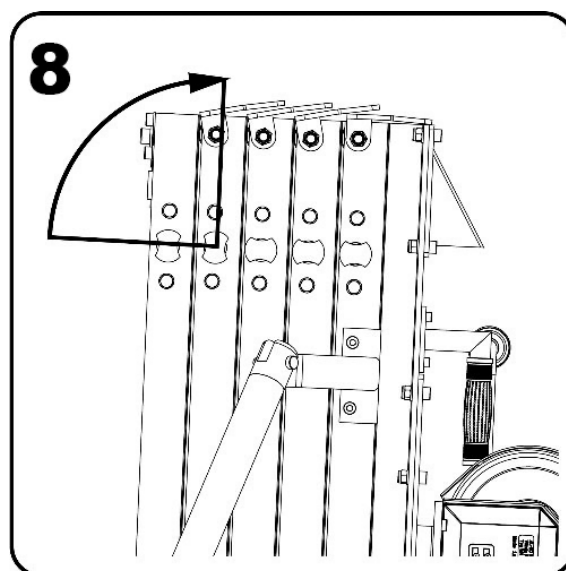


Figure 67

Unlock the mast safety system. Operate the winch handle to raise the load.

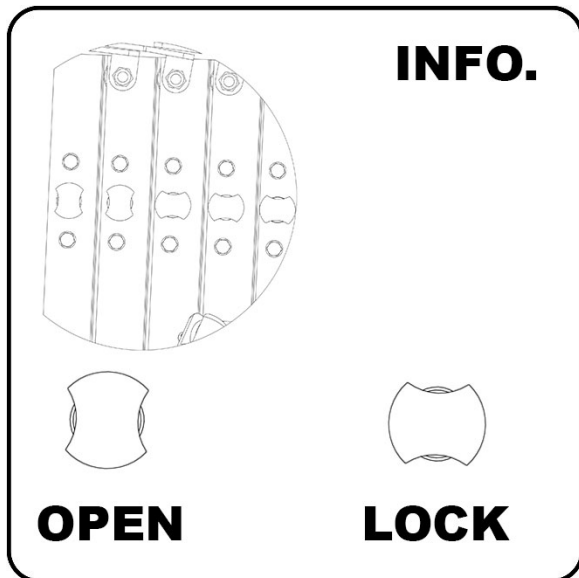


Figure 68

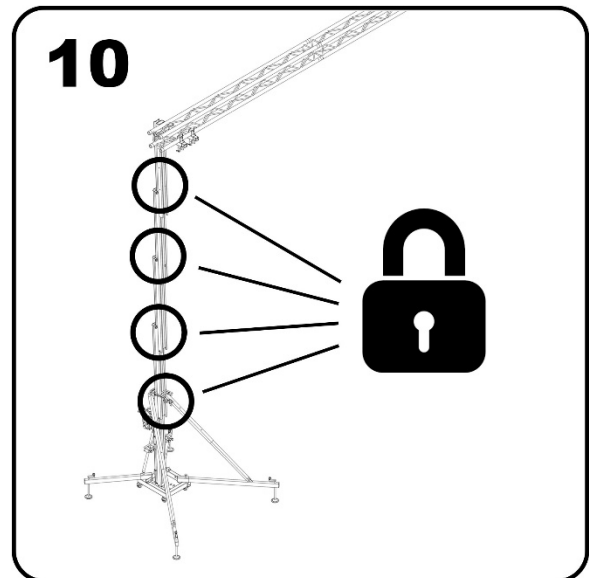


Figure 70

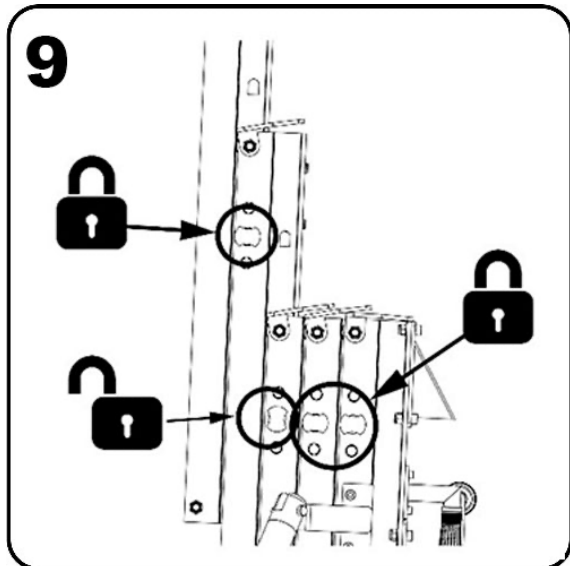


Figure 69

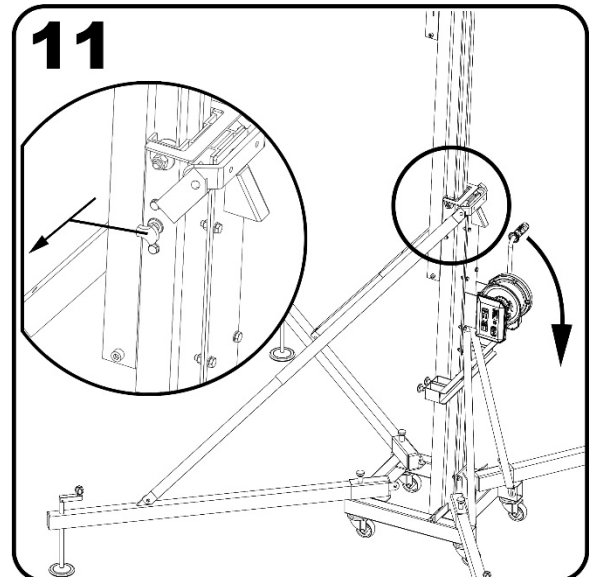


Figure 71

When the section reaches its end of path, lock with the safety system and unlock the next safety system to raise the next mast. Perform the same operation until you reach the required height.

All safety systems must be in their locked position. Slack the cable from the winch so that the system is seated.

WARNING! The rate of rise and descend should be similar. If the structure rises or descends faster at one end, a destabilization of the entire facility can occur, causing a serious accident.

To descend the load. **Tense the cable and unlock the first security system.** Turn the winch while keeping the safety system unlocked with your other hand. If the safety system is not operated with one hand, the tower will lower until it is locked.

WARNING! If the tower is attempted to go down without tension in the cable and any of the safety systems are activated, a dangerous situation will occur because the load will descend very abruptly, being able to destabilize the whole installation and incurring in a serious accident.

Once the load is descended, block all sections and follow steps 4 to 1.

TRUSS SYSTEM ELEVATION IN STRUCTURE MODE

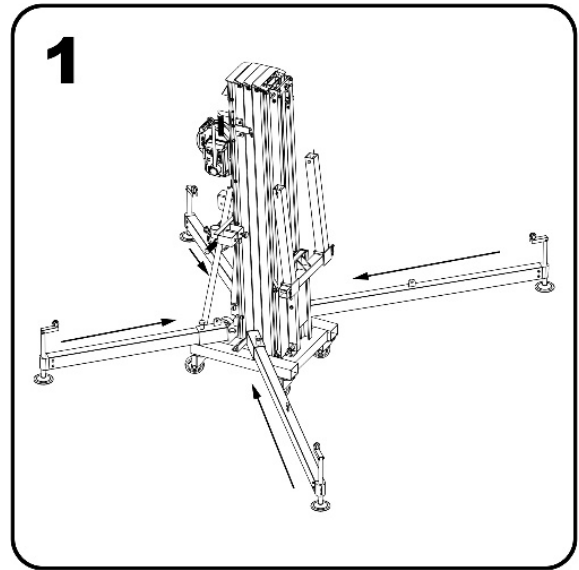


Figure 72

Fix and secure the stabilizer legs to the base.

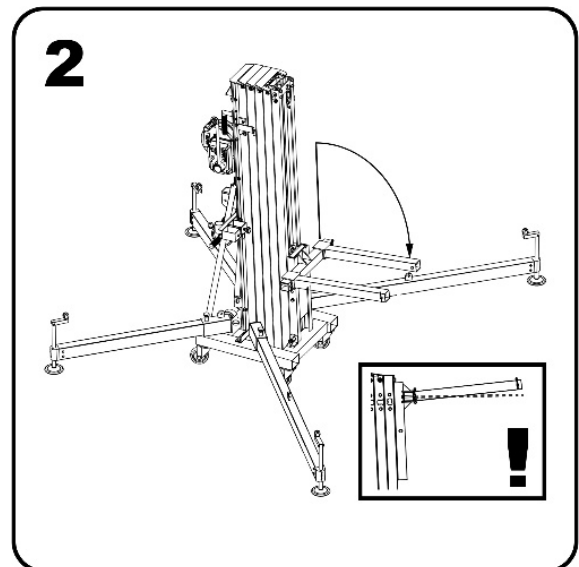


Figure 73

Turn the forks and adjust to the desired width.
Ensure it with the pins.

Calculate the load to be lifted with the tower. An example of basic load calculation is attached.

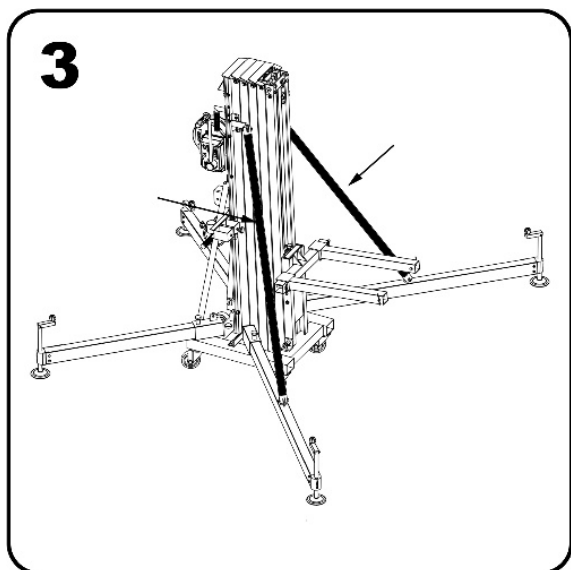


Figure 74

Place the reinforcement bars and fix them with its pins to frontal legs.

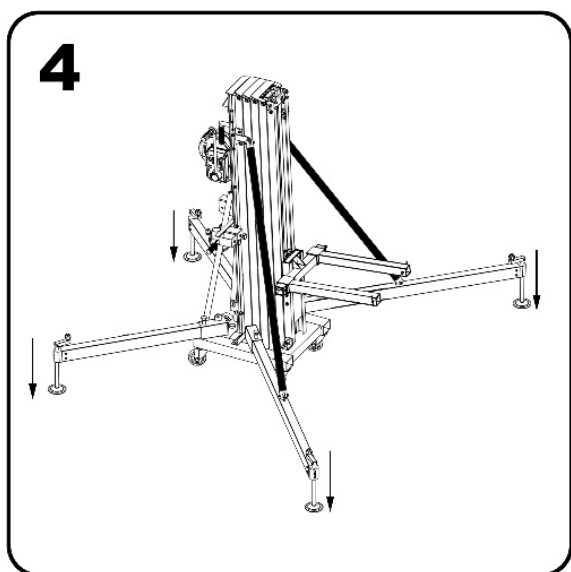


Figure 75


Place the tower in its working position and level until the bubble level is centered. Wheels should not take into contact with the ground

| ITEM | WEIGHT (kg) | QUANTITY | TOTAL (kg) |
|-----------------------|-------------|----------|------------|
| Truss accessory | 0,75 | 2 | 1,5 |
| Complete truss system | 137 | 0,5 | 68,50 |
| Loads | 368 | 0,5 | 184 |
| Cables | 51 | 0,5 | 25,50 |
| | | | 279,50 |

Figure 76

In this example we have a weight of 279,50 kg.

With that load, see what position the load should have on the tower fork. Take into account that the truss is supported by two points of the fork. To find out which is the largest load, take the position farthest from the base of the fork.



| | | AS STRUCTURE | | | | |
|---------|-----|--------------|------|------|------|------|
| | | P1 | P2 | P3 | P4 | P5 |
| FT-6860 | lbs | 1135 | 1775 | 1609 | 1268 | 1036 |
| | kg | 855 | 805 | 730 | 575 | 470 |
| FT-7045 | lbs | 1135 | 882 | 716 | 562 | X |
| | kg | 515 | 400 | 325 | 255 | X |
| FT-6033 | lbs | 1003 | 871 | 683 | 529 | X |
| | kg | 455 | 395 | 310 | 240 | X |
| FT-6520 | lbs | 794 | 771 | 617 | 485 | X |
| | kg | 360 | 350 | 280 | 220 | X |
| FT-5323 | lbs | 1003 | 838 | 772 | 452 | X |
| | kg | 455 | 380 | 350 | 305 | X |

Figure 77

Choose the FT tower model. Check for the value immediately above the load you need. With this value, take the exact position to which the accessory for fixing the truss must be placed.

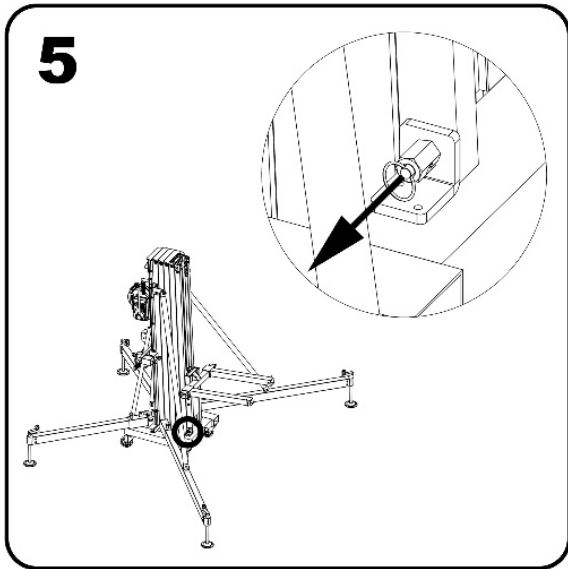


Figure 78

Unlock the security brake of the aluminium carrier

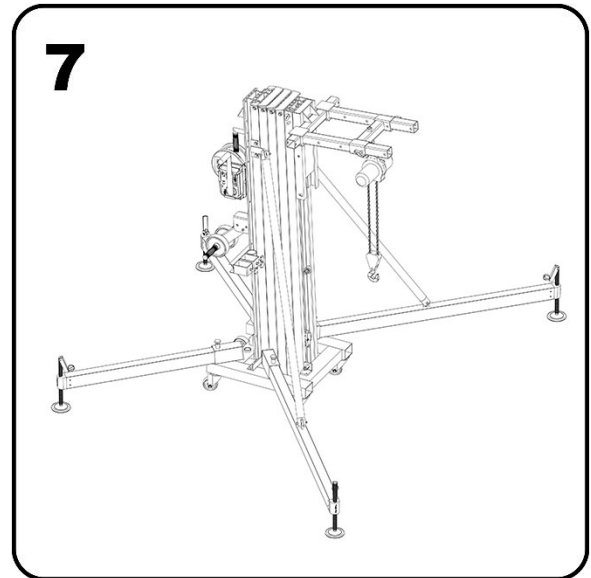


Figure 80

Join the truss system to the tower.

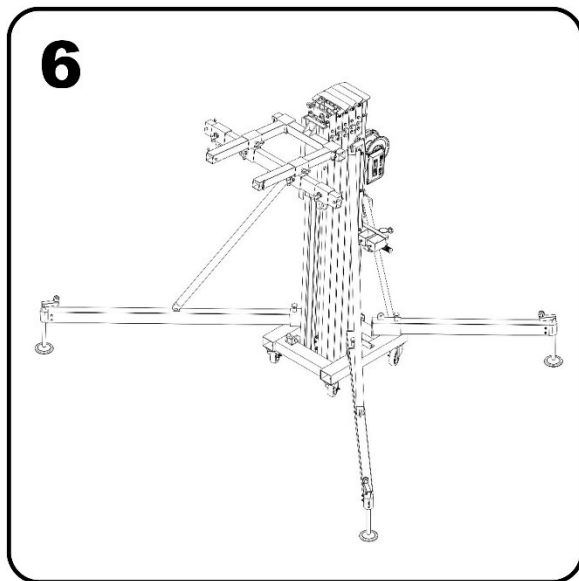


Figure 79

Place the accessory in the calculated position.

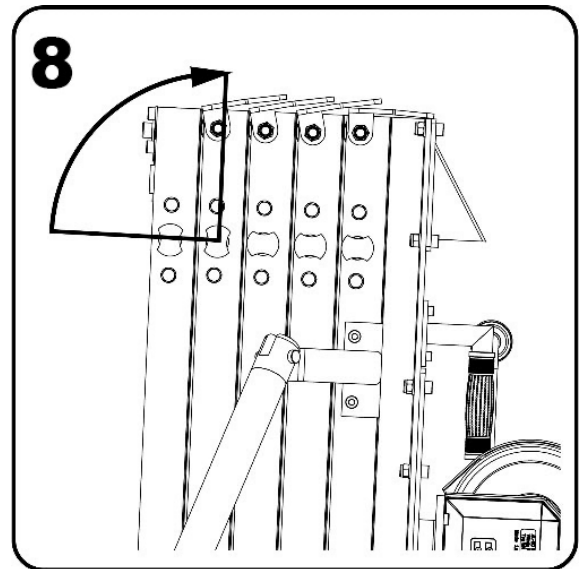


Figure 81

Unlock the mast safety system. Operate the winch handle to raise the load.



IMPORTANT !!! FOR THIS PURPOSE, USE ONLY MANUAL HOISTS

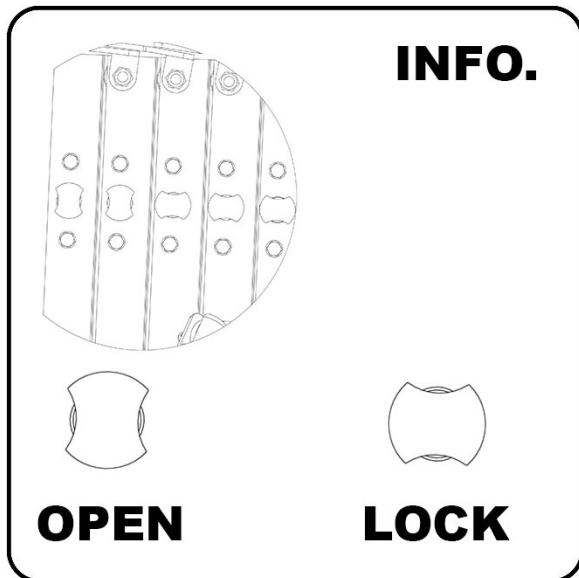


Figure 82

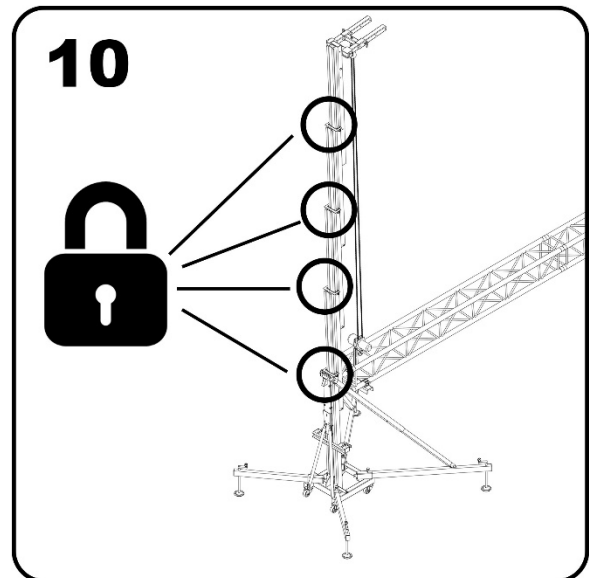


Figure 84

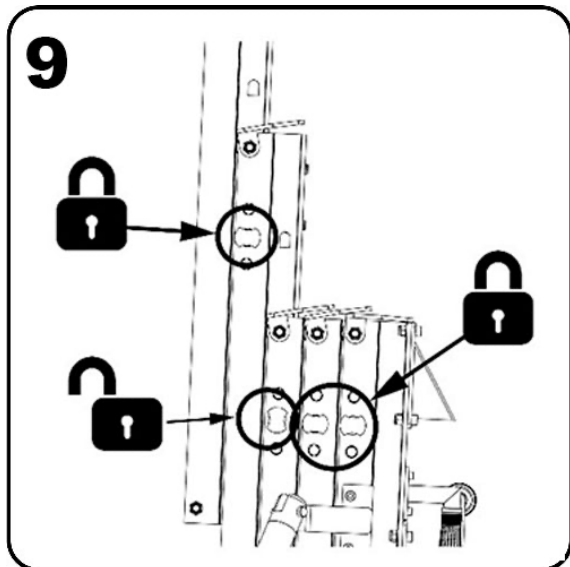


Figure 83

When the section reaches its end of path, lock with the safety system and unlock the next safety system to raise the next mast. Perform the same operation until you reach the required height.

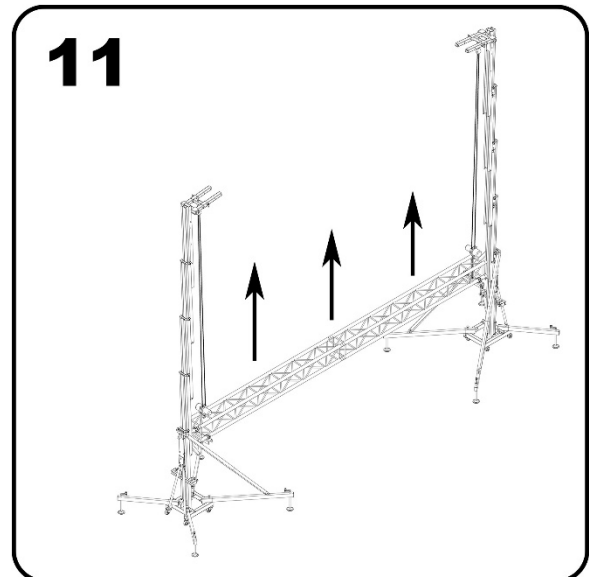


Figure 85

All safety systems must be in their locked position. Slack the cable from the winch so that the system is seated.

WARNING! The rate of rise and descend should be similar. If the structure rises or descend faster at one end, a destabilization of the entire facility can occur, causing a serious accident.

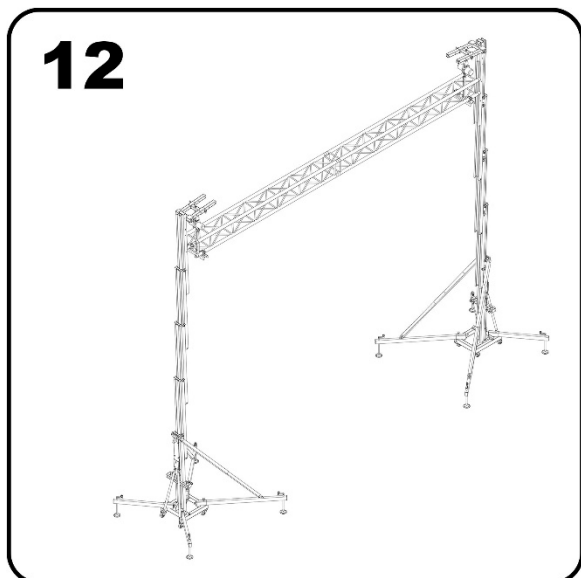


Figure 86

To descend the load. **Tense the cable and unlock the first security system.** Turn the winch while keeping the safety system unlocked with your other hand. If the safety system is not operated with one hand, the tower will descend until it is locked.

Once the load is descended, block all sections and follow steps 4 to 1 (in that order).

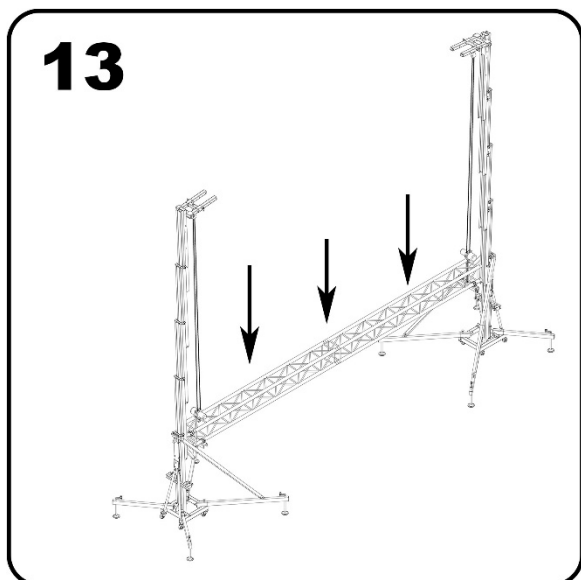


Figure 87

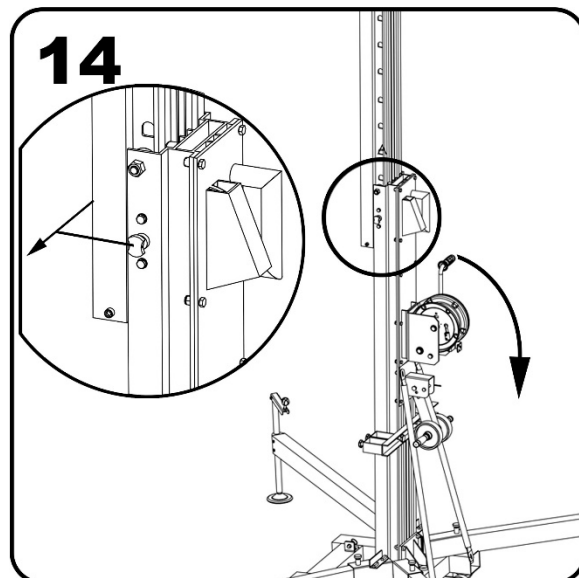


Figure 88

WARNING! If the tower is attempted to go down without tension in the cable and any of the safety systems are activated, a dangerous situation will occur because the load will descend very abruptly, being able to destabilize the whole installation and incurring in a serious accident.



IMPORTANT !!! FOR THIS PURPOSE, USE ONLY MANUAL HOISTS

USING THE TOWER IN STRUCTURE MODE (WIND CONDITION)

The towers used in the structure mode form a column type system that can withstand higher loads than the mechanism mode.

In order to be able to use the towers outdoors and subjected to bursts of wind, you should contact an engineer in the area or our technical department to study the case

In outdoor use many factors must be taken into account, the most important are:

- Wind gusts
- Total exposed area
- Working height
- Angle of the braces
- Weights and distance to the tower
- Rigging of all joints
- Etc ...

As an operating guide, the towers involved in this manual can be used outdoors as long as they are in structural mode and the maximum loads are those of the mechanism mode.

This is because the loads transmitted by the winds are transmitted vertically from the tower to the ground, adding an overload that depends on several factors. This overload is added to the maximum load of the tower.

If it is not calculated in each specific case of use, it is possible to take as base the data contained in the load chart (figure 98) operating the tower as mechanism by security purpose.

ACCESSORIES

The FT series towers has the following accessories.

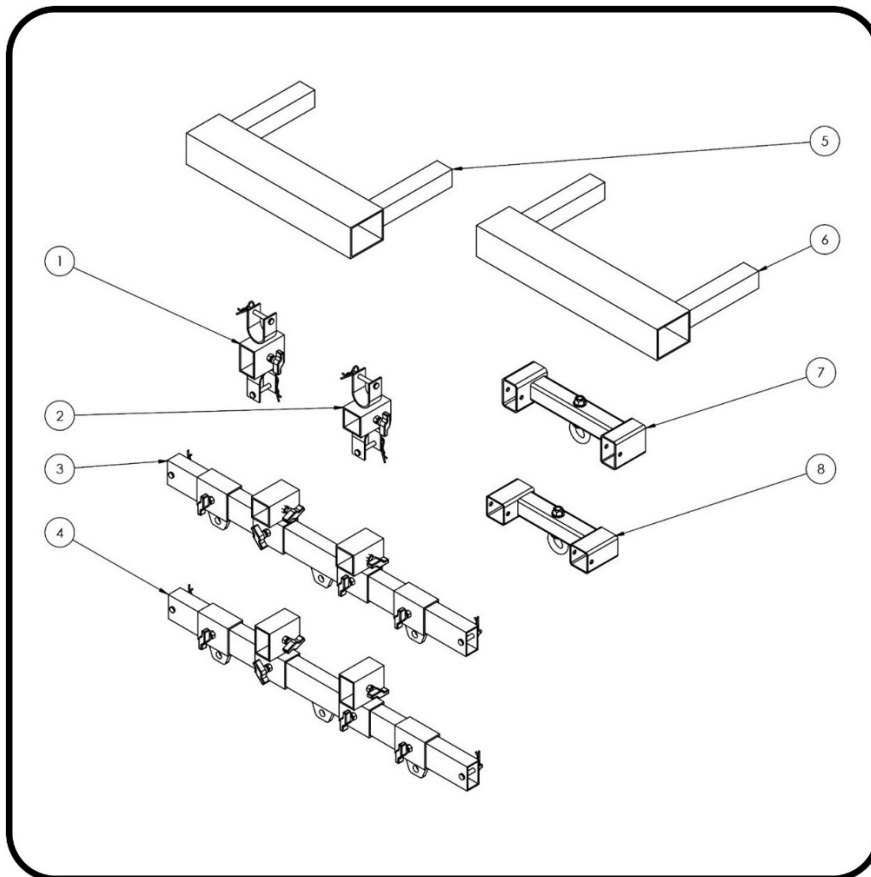


Figure 89

| | | | | | | | |
|---|--------|---|----------|---|---------|---|---------|
| 1 | ATF2DS | 3 | ATF17PAM | 5 | ATFT200 | 7 | ATF17PA |
| 2 | ATF1DS | 4 | ATF08PAM | 6 | ATFT600 | 8 | ATF08PA |

Figure 90

| PART. | FT6860 | FT7045 | FT6033 | FT6520 | FT5323 |
|----------|--------|--------|--------|--------|--------|
| ATF1DS | | | X | X | X |
| ATF2DS | X | X | | | |
| ATF17PA | | | X | X | X |
| ATF08PA | X | X | | | |
| ATFT200 | | | X | X | X |
| ATFT600 | X | X | | | |
| ATF17PAM | | | X | X | X |
| ATF08PAM | X | X | | | |

Figure 91

PLACING THE LOAD

1. Determine the position where the load will be placed and consult the tower capacity. Never exceed.
2. The "X" distance between the load is taken from the carriage to the end of the horns.

3. When possible, place the load as close to the carriage as possible. This prolongs the life of the tower.

| TOWER | X in P1 (mm / inch) | X in P2 (mm / inch) | X in P3 (mm / inch) | X in P4 (mm / inch) | X in P5 (mm / inch) |
|-----------------|------------------------|------------------------|------------------------|------------------------|------------------------|
| FT6860 | 85 | 270 | 450 | 635 | 820 |
| | 3.34 | 10.63 | 17.72 | 25 | 32.33 |
| FT7045 / FT6033 | 100 | 260 | 425 | 580 | |
| | 3.93 | 10.23 | 16.73 | 22.83 | |
| FT6520 / FT5323 | 95 | 225 | 355 | 485 | |
| | 3.74 | 8.85 | 13.97 | 19.1 | |

Figure 92

Detail of the position of all points of load.

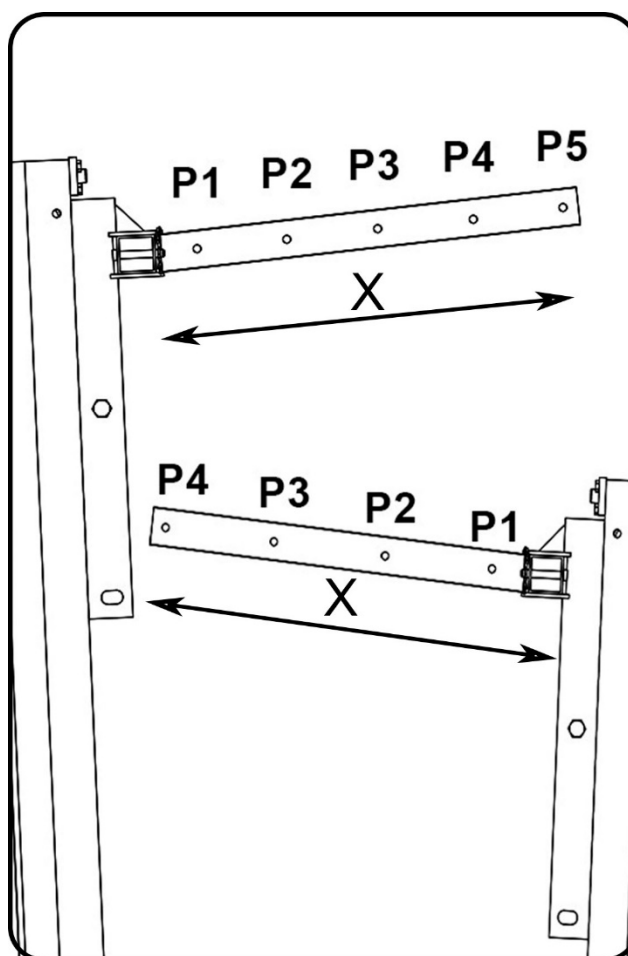


Figure 93

Detail of load positions.

LOAD CHART

The maximum loads supported by each tower model, for its maximum working height can be consulted below:

USING THE TOWER AS A MECHANISM.

The tower behaves like a machine when lifting a load making use of the winch as a lifting element. In this case all the parts of the tower behave like a mechanism that uses pulleys, cables and guides to be able to execute the elevation of a load at a certain height.

USING THE TOWER AS A STRUCTURE.

The tower behaves like a structure when all the sections are blocked in such a way that the cable is without tension. In this case the locking system together with the profiles, base and legs act as a support column from which loads can be hung using some support elements such as manual electric hoists.

| | | AS MECHANISM | | | | | AS STRUCTURE | | | | |
|---------|-----|--------------|------|------|------|------|--------------|------|------|------|------|
| | | P1 | P2 | P3 | P4 | P5 | P1 | P2 | P3 | P4 | P5 |
| FT-6860 | lbs | 1323 | 1257 | 1180 | 1113 | 1036 | 1885 | 1775 | 1609 | 1268 | 1036 |
| | kg | 600 | 570 | 535 | 505 | 470 | 855 | 805 | 730 | 575 | 470 |
| FT-7045 | lbs | 992 | 849 | 705 | 562 | X | 1135 | 882 | 716 | 562 | X |
| | kg | 450 | 385 | 320 | 255 | X | 515 | 400 | 325 | 255 | X |
| FT-6033 | lbs | 992 | 849 | 705 | 562 | X | 1135 | 882 | 716 | 562 | X |
| | kg | 450 | 385 | 320 | 255 | X | 515 | 400 | 325 | 255 | X |
| FT-6520 | lbs | 441 | 436 | 432 | 428 | X | 794 | 771 | 617 | 485 | X |
| | kg | 200 | 198 | 196 | 194 | X | 360 | 350 | 280 | 220 | X |
| FT-5323 | lbs | 518 | 496 | 474 | 452 | X | 1003 | 838 | 772 | 452 | X |
| | kg | 235 | 225 | 215 | 205 | X | 455 | 380 | 350 | 305 | X |

Figure 94

DYNAMIC OVERLAP



Thanks to the continuous development of new solutions for the lifting towers, FANTEK Industrial, has developed and patented an ingenious solution that increases the resistance of the towers and reduces the deflection of these. Dynamic Overlap makes each tower section overlap with the previous one at different distances. In the same way as a tree in nature. This means that all efforts are concentrated in the same way in all the sections of the tower. Thanks to this, the tower can withstand greater efforts with less deflection

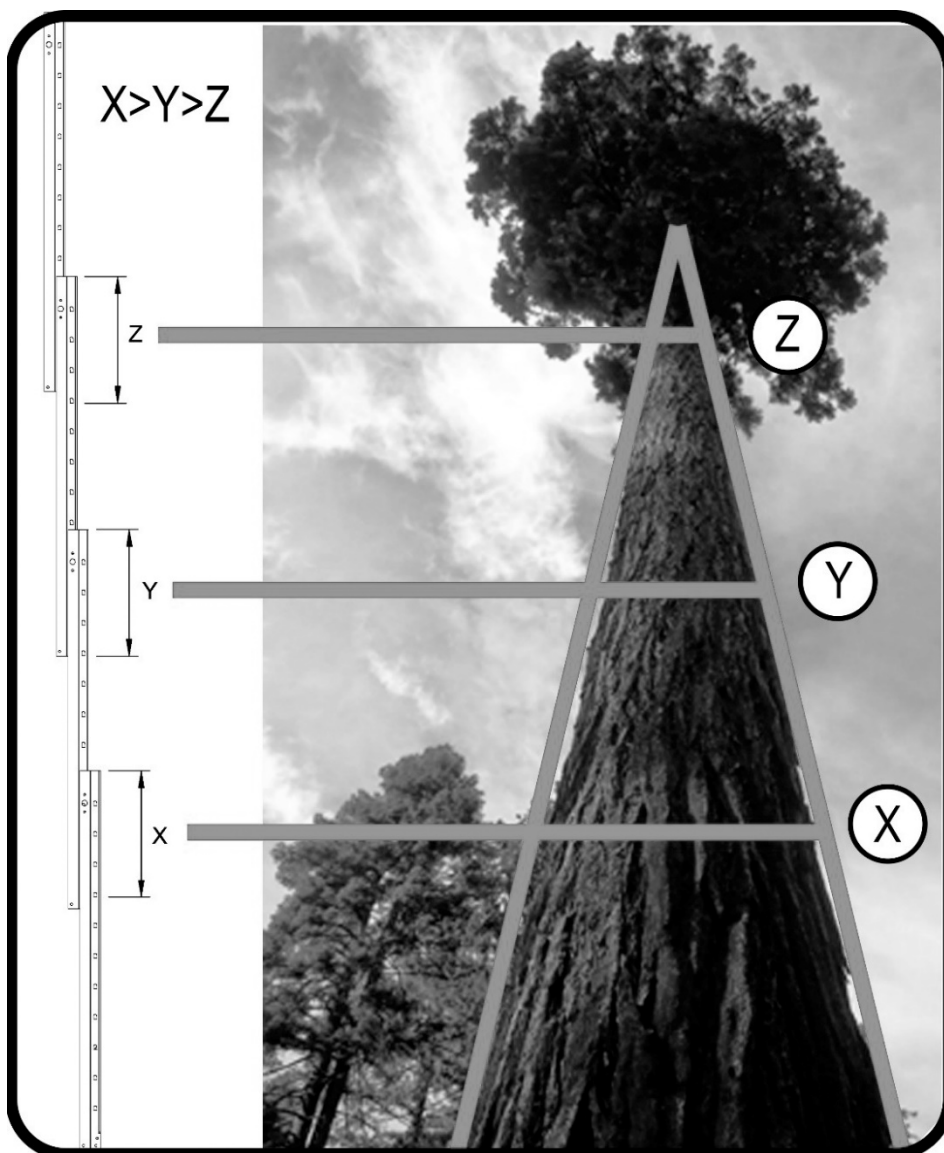


Figure 95

DGUV V17/18 NORM REGULATION. Explanation

DGUV V17/18 is a norm that regulates the stage and production elements in the entertainment industry. Lifting equipment and rigging are part of this norm and cover structures and other technical elements.

Adopt **DGUV V17/18** is totally voluntary (except in Germany) but its adoption is required by insurance companies and indeed is becoming a norm in the industry

The application of this norm on lifter towers is vital because, in theaters, stages, etc., are used to move loads above artists, technical staff, etc... and in some cases, above viewers, representing a potential risk of fall.

NORM DGUV V17/18. Fields of application

This standard is oriented in two ways:

On the one hand, lifting towers adopt designs and materials to achieve a high degree of safety in quantities such as supported load, equilibrium, resistance to friction, etc.

Thus **FANTEK Industrial** lifter towers **DGUV V17/18** certified assure the user that they have passed strict controls during design, choice of materials or load checks and effort.

On the other hand, in order to achieve an optimal performance with these units, it is recommended, part from a responsible use of the unit, (meeting basic norms such as obey the maximum load or balance), a periodic maintenance, which must be carried out by expert technicians, checking the condition of the steel cable and winch, the functioning of the security pins and the folding/unfolding of all sections.

All the above tests are only mandatory in those countries with specific regulations on the matter, applied through regulations or laws. As manufacturers, we recommend passing all tests in order to prevent damage and ensure proper operation of P.A. lift systems.

SPECIFICATIONS

| Model | FT-6860 | | FT-7045 | | FT-6033 | | FT-6520 | | FT-5323 | |
|----------------------------|---------|----|---------|----|---------|----|---------|----|---------|----|
| Height | 1980 | mm | 1905 | mm | 1720 | mm | 1710 | mm | 1710 | mm |
| | 77,95 | ft | 6,25 | ft | 5,64 | ft | 5,61 | ft | 5,61 | ft |
| Maximum height | 6800 | mm | 7000 | mm | 6000 | mm | 6500 | mm | 5300 | mm |
| | 22,31 | ft | 23,21 | ft | 16,69 | ft | 21,33 | ft | 17,39 | ft |
| Width | 580 | mm | 520 | mm | 520 | mm | 440 | mm | 440 | mm |
| | 22,3 | in | 20,5 | in | 20,5 | in | 17,3 | in | 17,3 | in |
| Length | 900 | mm | 700 | mm | 700 | mm | 600 | mm | 600 | mm |
| | 35,3 | in | 27,6 | in | 27,6 | in | 23,6 | in | 23,6 | in |
| Width- stabilizers lowered | 2170 | mm | 2300 | mm | 2300 | mm | 1950 | mm | 1950 | mm |
| | 85,4 | in | 90,6 | in | 90,6 | in | 76,8 | in | 76,8 | in |
| Length operating | 1830 | mm | 1760 | mm | 1760 | mm | 1340 | mm | 1340 | mm |
| | 72,1 | in | 69,3 | in | 69,3 | in | 52,7 | in | 52,7 | in |
| Ground clearance | 50 | mm | 50 | mm | 50 | mm | 50 | mm | 50 | mm |
| | 1,97 | in | 1,97 | in | 1,97 | in | 1,97 | in | 1,97 | in |
| Loading fork | 945 | mm | 650 | mm | 650 | mm | 500 | mm | 500 | mm |
| | 37,20 | in | 25,59 | in | 25,59 | in | 19,65 | in | 19,65 | in |
| Minimum load capacity | 25 | Kg | 25 | Kg | 25 | Kg | 25 | Kg | 25 | Kg |
| | 55,12 | Lb | 55,12 | Lb | 55,12 | Lb | 55,12 | Lb | 55,12 | Lb |
| Max. load as machine | 600 | Kg | 450 | Kg | 450 | Kg | 200 | Kg | 235 | Kg |
| | 1322,8 | Lb | 992,1 | Lb | 992,1 | Lb | 440,9 | Lb | 518,1 | Lb |
| Max. load as structure | 855 | Kg | 515 | Kg | 515 | Kg | 360 | Kg | 455 | Kg |
| | 1885 | Lb | 1135 | Lb | 1135 | Lb | 793,6 | Lb | 1003,1 | Lb |
| Net weight | 255 | Kg | 165 | Kg | 156 | Kg | 112 | Kg | 101 | Kg |
| | 562,2 | Lb | 363,8 | Lb | 343,9 | Lb | 246,9 | Lb | 222,7 | Lb |
| Winch | 1200 | Kg | 900 | Kg | 900 | Kg | 1200 | Kg | 1200 | Kg |
| | 2645,5 | Lb | 1984,2 | Lb | 1984,2 | Lb | 2645,5 | Lb | 2645,5 | Lb |
| Noise emissions | 70 | dB | 70 | dB | 70 | dB | 71 | dB | 73 | dB |

Figure 96

DECLARACION DE CONFORMIDAD / *DECLARATION OF CONFORMITY*

Las torres elevadoras descritas cumplen con todos los requerimientos específicos en la directiva 2006/42/EC del Parlamento Europeo y del Consejo de 17 de mayo de 2006 relativo a la Directiva de máquinas.

The tower lifters described complies with all the specific requirements of Directive 2006/42 / EC of the European Parliament and of the Council of 17 May 2006 on the Machinery Directive.

Las torres elevadoras descritas cumplen con todos los requerimientos específicos en la DIN56950:1/3.

The tower lifters described meet all the specific requirements in DIN56950: 1/3.

Las torres elevadoras descritas cumplen con todos los requerimientos específicos en la DGUV V17/18

The tower lifters described meet all the specific requirements in DGUV V17/18

| | |
|---|--|
| Fabricante / <i>Manufacturer:</i> | FANTEK INDUSTRIAL S.L. |
| Persona responsable de recopilar la información técnica <i>Person responsible of the technical data:</i> | Jose Vila Ortiz |
| Dirección / <i>Address:</i> | Pol. Ind. El Bony. C/Del Port nº3. 46470 – Catarroja – Valencia (Spain) |
| Descripción / <i>Description:</i> | Frontal load lifter |
| MODELO / <i>MODEL FT-6860</i> | MAX. LOAD: 855 kg |
| MODELO / <i>MODEL FT-7045</i> | MAX. LOAD: 514 kg |
| MODELO / <i>MODEL FT-6033</i> | MAX. LOAD: 514 kg |
| MODELO / <i>MODEL FT-6520</i> | MAX. LOAD: 360 kg |
| MODELO / <i>MODEL FT-6023</i> | MAX. LOAD: 455 kg |



Jose Vila Ortiz

DGUV MARK

| NUMERO DE SERIE: | SERIAL NUMBER: | LAUFENDE NUMMER: |
|------------------|----------------|------------------|
| | | |

| Primer test en fábrica | First test in factory. | Erstprüfung im Werk. |
|------------------------|------------------------------|----------------------|
| Fecha/Date/Datum | Testado por/Tested by/Prüfer | |
| | | |

| Examen a los cuatro años. | Four years test | UVV Prüfung (alle 4Jahre) |
|---------------------------|------------------------------|---------------------------|
| Fecha/Date/Datum | Testado por/Tested by/Prüfer | |
| | | |

Examen anual a partir
del cuarto año.

Annual test after the fourth
year.

UVV Jährlicher Test nach
dem vierten Jahr.

| | |
|------------------|------------------------------|
| Fecha/Date/Datum | Testado por/Tested by/Prüfer |
| | |
| Fecha/Date/Datum | Testado por/Tested by/Prüfer |
| | |
| Fecha/Date/Datum | Testado por/Tested by/Prüfer |
| | |
| Fecha/Date/Datum | Testado por/Tested by/Prüfer |
| | |
| | |

FANTEK[®]
INDUSTRIAL, S.L.

c/ Traginers, 14 . Pol. Ind. El Alter , 46290 - ALCACER
Valencia (SPAIN)
Tel. +34 96 126 01 68 - info@fante.net