



PORTRAIT Tondo Set

Set of 6 IP65 battery-powered PARs with 10W 6in1 LED in flight case with recharge function

Set di 6 PAR IP65 a batteria con LED da 10W 6in1 in flight case con funzione di ricarica

User Manual

Manuale Utente

Carefully read this manual and properly take care of it
Leggete questo manuale e conservatelo per future consultazioni



Dear customer,

First of all thanks for purchasing a CENTOLIGHT® product. Our mission is to satisfy all possible needs of light designers and professionals of entertainment lighting, by offering a wide range of products based on the latest technologies.

We hope you will be satisfied with this fixture and, if you want to collaborate, we are looking for a feedback from you about product operation and possible improvements to be introduced in the next future. Go to our website www.centolight.com and send an e-mail with your opinion; this will help us to build equipment ever closer to professional's real requirements.

The CENTOLIGHT Team

Gentile Cliente,

Grazie per aver scelto un prodotto CENTOLIGHT®. La nostra missione è quella di soddisfare ogni possibile richiesta da parte di light designers e professionisti dell'illuminotecnica per l'intrattenimento, offrendo una vasta gamma di apparecchiature basate su tecnologie di ultima generazione.

Speriamo di aver soddisfatto le vostre aspettative e, se voleste collaborare, saremo lieti di ricevere un vostro feedback sulla qualità del prodotto al fine di migliorare costantemente la nostra produzione. Visitate il nostro sito www.centolight.com ed inviateci una mail con la vostra opinione; questo ci aiuterà a sviluppare nuovi prodotti quanto più vicini alle vostre esigenze.

Il Team CENTOLIGHT

TABLE OF CONTENTS

1 - Before you Start	4
2 - Safety Instructions	5
2.1. Symbols Meaning -----	5
3 - Introduction	5
3.1. Features -----	6
3.2. Fixture Size -----	6
3.3. Flight Case Size -----	7
3.4. Fixture Elements and Connectors -----	7
3.5. Fixture Control Panel -----	9
3.6. Power Input/Output Connection -----	9
3.7. Fixture Placement -----	10
4 - OPERATION	12
4.1. Menu Map-----	12
5 - DMX Control	13
5.1. Wired DMX Control -----	13
5.2. Wireless DMX Control -----	14
6 - Internal Modes	15
6.1. Master/Slave Mode -----	15
6.2. Sound Mode -----	16
6.3. Preset Color Mode -----	16
6.4. Custom Color Mixing -----	17
6.5. Dimmer Refresh Rate -----	17
6.6. IR Remote Control -----	17
7 - Battery Maintenance	18
7.1. Battery Charge -----	19
7.2. Battery Charge Indicator -----	19
7.3. Battery Safety and Disposal Instructions -----	19
8 - DMX Channel Chart	20
9 - Technical Specifications	21
9.1. Portrait Tondo Case Specifications -----	21
10 - Warranty And Service	22
11 - Warning	22

1 – BEFORE YOU START

Thank you for purchasing PROTRAIT TONDO Set. Enjoy your new equipment and make sure to read this manual carefully before operation! This user manual is made to provide both an overview of controls, as well as information on how to use them.

1) What is included

Package include:

- 6 x PROTRAIT TONDO PAR Light
- 6 x IR Remote Control
- 1 x Flight Case for 8 units
- 1 x Power Cable with Europlug/Powercon connectors
- This User Manual

⚠ ATTENTION: Packaging bag is not a toy! Keep out of reach of children!!! Keep in a safe place the original packaging material for future use.

If anything damaged during transport, notify the shipper immediately and keep the packing material for inspection. If the fixture must be returned to the manufacturer, it is important that it is returned in the original manufacturer box and packing. Please do not take any action without first contacting us.

2) Accessories

CENTOLIGHT can supply a wide range of quality accessories that you can use with your PORTRAIT Series equipment, like Cables, Splitters, DMX controllers, Consumables, and a wide range of other fixtures.

All products in our catalogue has been long tested with this device, so we recommend you to use Genuine CENTOLIGHT Accessories and Parts. Ask your CENTOLIGHT dealer or check out our website www.centolight.com for any accessories you could need to ensure best performance of the product.

3) Disclaimer

The information and specifications contained in this User Manual are subject to change without notice. CENTOLIGHT assumes no responsibility or liability for any errors or omissions and reserves the right to revise or to create this manual at any time.

Copyright© 2024 CENTOLIGHT. All rights reserved.

2 - SAFETY INSTRUCTIONS

- Read these instructions
- Keep these instructions
- Heed all warning
- Follow all instructions

2.1 Symbols Meaning



The symbol is used to indicate that some hazardous live terminals are involved within this apparatus, even under the normal operating conditions, which may be sufficient to constitute the risk of electric shock or death.



The symbol is used to describe important installation or configuration problems. Not following advice and information on how to avoid such problems may lead to product malfunction.



This symbol indicates a protective grounding terminal.

WARNING:

Describes precautions that should be observed to prevent the danger of injury or death to the operator.



To protect the environment, please try to recycle packing material and exhausted consumables as much as possible.



Don't throw this product away just as general trash, please deal with the product follow the abandon electronic product regulation in your country.

1) Servicing

- Do not implement any servicing other than those means described in the manual. Refer all servicing to qualified service personnel only. The internal components of the equipment must be purchased from the manufacturer. Only use accessories/attachments or parts recommended by the manufacturer.

3 - INTRODUCTION

PORTRAIT TONDO is a battery-powered (or mains-powered) PAR with IP65 protection rating, specifically designed for outdoor use even for long durations. The lighting emitting system consists of 6pcs 10W RGBWA+UV 6in1 high-brightness LEDs with a life-span of approximately 50,000 hours.

The Dimmer control is with adjustable refresh rate from 600Hz to 24kHz, and allows this PAR to be used even in video and broadcast applications. Each LED features high-quality lens with 25° beam angle and 39° field angle, making the PORTRAIT TONDO ideal for wash or beam use.

The two adjustable brackets are designed to enable the fixture to be placed on the ground or mounted on trusses. Both Power In/Out and DMX In/Out connections are completely waterproof and equipped with rubber plugs to prevent entry of liquids or moisture.

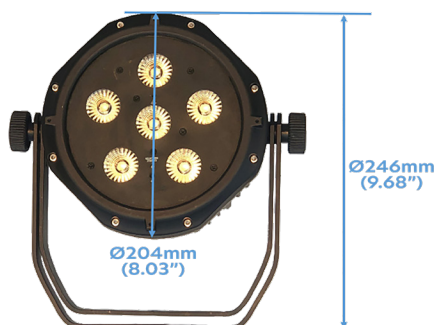
The die-cast aluminum frame allows both water-tightness and total heat dissipation even in case of operation in the sun. Therefore, no fans are needed making the PORTRAIT TONDO completely silent.

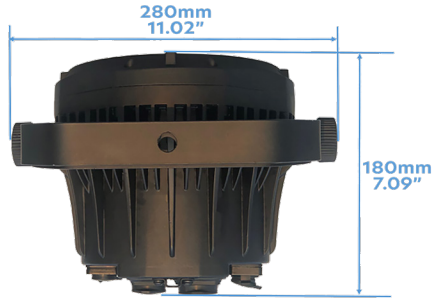
The high-efficiency lithium battery guarantees a complete charge from zero within about 4-5 hours and a duration of about 6 hours at full color; around 8 hours at running preset programs or DMX; around 12 hours at running single color. The wireless DMX feature and the infrared remote control allow all units to be controlled without the use of wired DMX units.

3.1 Features

- 6x 10W RGBWA+UV 6in1 high-efficiency and long-life LEDs
- 25° Beam angle; 39° Field angle
- Flicker-Free Operation with adjustable refresh rate
- Waterproof Powercon In/Out and 3-pin XLR DMX In/out Connections
- Wireless DMX operation and IR remote control
- Die-Cast Aluminum Housing for IP65 rating and Fan-less operation
- Rechargeable Lithium-Ion Battery for up to 12 hours operation
- 6-Units Flight Case with Recharge Function

3.2 Fixture Size

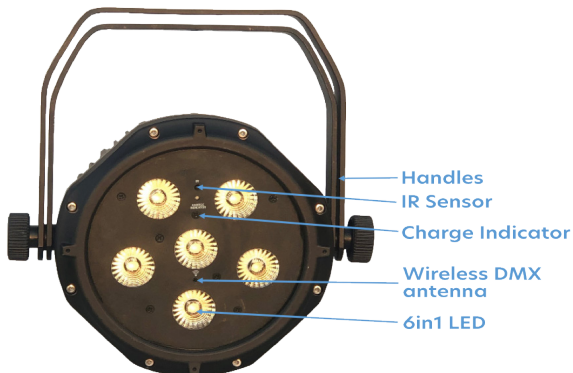




3.3. Flight Case Size

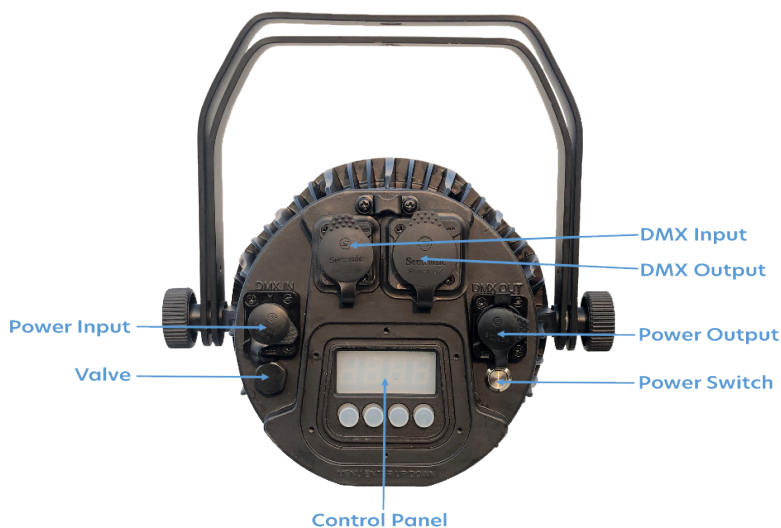


3.4. Fixture Elements and Connectors



- **Handles** - Use them to place the PAR directly on the floor or rig in any orientation on a truss.
- **IR Sensor** - your PORTRAIT-610 WP use an IR remote to control the light. It operates within 5m from the fixture. Please read paragraph "IR Remote Control" for further details.
- **Charge Indicator** - It shows the battery charge level. Please read the paragraph "Battery Charge Indicator" for further information.
- **Wireless DMX Antenna** - This function allows you to remotely control the fixture by connecting to a Wireless DMX Transmitter. Please read the paragraph "Wireless DMX Control" for further information.
- **6in1 LED** - Your PORTRAIT TONDO features 6pcs 10W RGBWA+UV 6in1 LEDs.

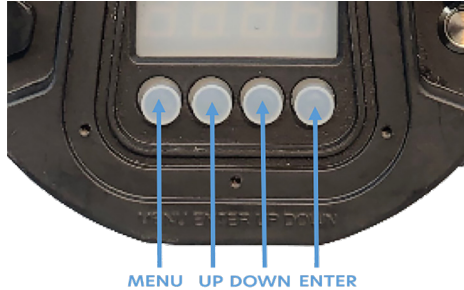
1) Rear Panel



- **Power Input Socket** - Plug the power-cord into an AC socket properly configured for your particular model. Please use IP65 Power Connectors to preserve waterproof rating.
- **Valve** - This valve is used to let air in and out from inside the housing, thus to keep balance pressure of the housing and avoid water going inside.
- **Control Panel** - You can set the unit up through this display and set of buttons.
- **Power Switch** - It switches the unit On and Off.
- **Power Out Socket** - This plug is used to power another PAR unit, in order to simplify wiring during installation. Please use IP65 Power Connectors to preserve waterproof rating. Ensure that the total current consumption of all connected devices does not exceed the value specified in the Specifications Paragraph.

- **Dmx Input** - Male 3-pin XLR sockets for connection to a DMX control device. Use IP65 Connectors to preserve waterproof rating.
- **Dmx Output** - Female 3-pin XLR socket for sending the DMX control signal. Use IP65 Connectors to preserve waterproof rating.

3.5. Fixture Control Panel



- **Menu** - Press MENU button until the desired option appears
- **Up** - Scroll "UP" through the menu list to increase the value of current function
- **Down** - Scroll "DOWN" through the menu list to decrease value of current function
- **Enter** - Enters the current menu or confirms the current function value

3.6. Power Input/Output Connection

- Always make sure that the voltage of the outlet you are connecting the product to is within the range stated in the "Technical Specifications" or rear panel of the product (AC110V-240V 50/60Hz).
- Make sure the power cord is not crimped or damaged. Never connect this product to a dimmer pack or rheostat.
- Never disconnect the product from power cord by pulling or tugging on the cord.
- To avoid electric shock, all fixtures must be connected to circuits with a suitable ground and circuit breaker.
- Wire correspondence is as follows:

Cable (EU)	Pin	International
Brown	Live	L
Blue	Neutral	N
Yellow/Green	Earth	⊕

⚠ Earth must be connected! Always pay attention to safety! Before taking into operation for the first time, the installation has to be approved by an expert.

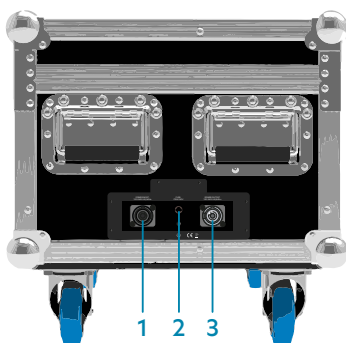
1) PAR Power Output Plug

This fixture is equipped with an output power connector to be used as power mains source in case of **daisy-chain connection up to a maximum of 8 fixtures.**



2) Flight Case Power Input/Output Plug

Portrait Q-Air Case is equipped with charge function for the 6 PORTRAIT TONDO units placed inside. It also allows the user to link multiple flight cases in daisy-chain connection.



- 1. Power Input Connector:** Plug the power-cord included with PORTRAIT Q-AIR Set into an AC socket properly configured for this fixture (100-240VAC - 50/60Hz).
- 2. Fuse Holder:** Fuse holder with F10AL/250 V fuse (5x20mm). In case of fuse burn, to prevent the risk of fire and damaging the unit, please use only a spare of the recommended fuse type as described. Before replacing the fuse, make sure the unit turned off and disconnected from the AC outlet.
- 3. Power Output Connector:** This fixture is also equipped with an output power connector to be used as power mains source in case of **cascade connection up to a maximum of 2 flight cases.**

3.7. Fixture Placement

The PORTRAIT TONDO can be mounted in two ways.

1) Stacked Use

The PAR can sit on even and solid floor. It has a dual C-bracket to adjust tilt orientation.

Make sure that the fixture is always placed on even and strong enough surface, and keep it 0.5m away from projection objects.


2) Rigging

The C-brackets of PORTRAIT TONDO allow the user to hang the fixture on a truss or other type of hanging structure. Please check the light accessory lineup on www.centolight.com for further details. Users also need to make sure the crossbar is stable or not moving, and can support a weight of 40 kg (fixture net weight is 4kg).

 **Pay attention to safety! Please respectively consider the EN 60598-2-17 and the national standard during the installation.**

- The installation of the fixture has to be built and constructed in a way that it can hold 10 times the weight for 1 hour without any harming demolition. The installation must always be secured with a secondary safety attachment, e.g. an appropriate catch net. This secondary safety attachment must be constructed in a way that no part of the installation can fall down if the main attachment fails.
- When rigging, unmount or servicing the fixture, staying in the area below the installation place, on bridges, under high working places and other endangered areas is forbidden. The operator has to make sure that the safety measure and the machine's technical installation is approved by an expert before taking into operation for the first time and after changes before taking into operation another time. He has also to make sure that an expert approves safety measure and the machine's technical installation once a years.

 **WARNING: The fixture should be installed outside areas where persons may walk by or be seated.**

 **IMPORTANT: Overhead rigging requires extensive experience, including (but not limited to) calculating working load limits, installation material being used, and periodic safety inspection of all installation material and the projector. If you lack these qualifications, do not attempt the installation yourself, but instead use a professional structural rigger. Improper installation can result in bodily injury or property loss.**

- If the fixture must be raised to/or lowered from the ceiling or by suspended beams, it is advisable to use professional trussing systems.
- In case of installation on a wall, ceiling or truss, the use of safety rope such as

the LW3-76A or the LW4-76A (sold separately) and clamps such as the SLH/SQC series is required (sold separately). Visit www.centolight.com for more details.

- For overhead use, also consider that a safety rope must hold at least 10 times the weight of the fixture. The fixture must never be left to swing freely.

⚠ CAUTION: Fixture may cause severe injuries when crashing down. If you have doubts concerning the safety of a possible installation, do not install the fixture! Use two appropriate clamps to rig the fixture on the truss. Make sure that the device is fixed properly! Ensure that the structure (truss) to which you are attaching the fixtures is secure.

⚠ DANGER OF FIRE! When installing the device, make sure there is no highly inflammable material (decoration articles, etc.) within a distance of minimum 0.5 meter.

4 - OPERATION

4.1 Menu Map

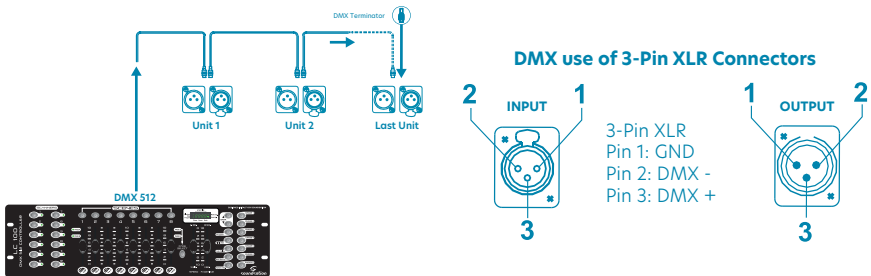
1st Level	2nd Level	3rd Level	Description
A001	A001-A512		10-channel mode DMX address setup
d001	A001-A512		6-channel mode DMX address setup
CL01	CL01-CL32		Static Color Mode
CC01	CC01-CC99		Color Changing Mode
EE01	EE01-EE99		Color Fading Mode 1
FF01	FF01-FF99		Color Fading Mode 2
St01	St01-St32	SP01-SP99	Strobe Mode (Press ENTER to adjust speed from SP01 to SP99, - slow to fast)
SoU1	SoU1-SoU4		Sound Control Sou1: Color Mixing Sou2: Color Changing Sou3: Color Changing + Strobe Sou4: Color mixing + Color Changing+ Strobe
lrc1	on-off		IR Remote Control setup (Default is off)
2,4G	on-off		Wireless DMX setup (Default is off)
t000	off-40-100		Fixture Temperature. Default is Off (Press ENTER to setup fixture power and reduce the temperature)

r255	r001-r255		Manual Color Mode Red
G255	G001-G255		Manual Color Mode Green
b255	b001-b255		Manual Color Mode Blue
U255	U001-U255		Manual Color Mode White
Y255	Y001-Y255		Manual Color Mode Yellow (Amber)
P255	P001-P255		Manual Color Mode Purple (UV)

5 - DMX CONTROL

5.1 Wired DMX Control

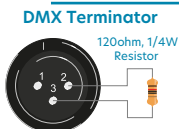
DMX fixtures are designed to receive data through a serial Daisy Chain. A Daisy Chain connection is where the DATA OUT of one fixture connects to the DATA IN of the next fixture. The order in which the fixtures are connected is not important and has no effect on how a controller communicates to each fixture. Use an order that provides for the easiest and most direct cabling.



Connect machines using shielded 2-conductor twisted pair cable with 3-pin XLR male to female connectors. The shield connection is pin 1, while pin 2 is Data Negative (S-), and pin 3 is Data positive (S+).

⚠ CAUTION: When use a DMX controller, please make sure that there is no interference sources (e.g. intercom, high frequency radio waves and radiation source). Wires must not come into contact with each other; otherwise the fixtures will not work at all, or will not work properly.

1) DMX Terminator



DMX is a resilient communication protocol, however errors still occasionally occur. In order to prevent electrical noise from disturbing and corrupting the DMX control signals, a good habit is to connect DMX output of last fixture in the chain to a DMX termina-

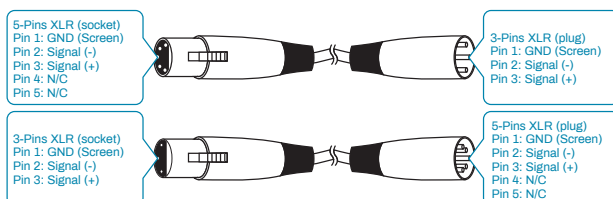
tor, especially over long signal cable runs.

The DMX terminator is simply an XLR connector with a 120Ω (ohm), 1/4 Watt resistor connected across Signal (-) and Signal (+), respectively, pins 2 and 3, which is then plugged into the output socket on last projector in the chain. The connections are illustrated below.

⚠ Complimentary signal cable can transmits signals to 20 unit fixtures at most. Signal amplifier is a must to connect more fixtures.

2) 3-Pin vs 5-Pin DMX cables

DMX connection protocols used by controllers and fixtures manufacturers are not standardized around the world. However, two are the most common standards: 5-Pin XLR and 3-Pin XLR system. If you wish to connect this fixture to a 5-Pin XLR input fixture, you need to use an adapter-cable or make it by yourself. Below you can see the wiring correspondence between 3-Pin and 5-Pin plug and socket standards



5.2 Wireless DMX Control

Your PORTRAIT TONDO can be remotely controlled by DMX-512 wireless transceivers.

The fixture is equipped with a 2.4GHz wireless DMX512 interface that works within 2,400-2,525 GHz license-free band. Maximum distance is 300m (without obstacles). This wireless feature, considering that the PORTRAIT TONDO is a battery-powered fixture, gets rid of relying on connecting cables completely, and also can ensure a reliable and very-low delay DMX data communication. It adopts global free 2.4GHz ISM frequency band and high effective GFSK modulation.

One transmitter can manage more receivers at the same time, so this means, for example, that a DMX controller connected to a 2.4 GHz transmitter can control more than one PORTRAIT TONDO simultaneously, which is a very common application in case of multiple PARs in a flight case, like the PORTRAIT TONDO. Of course, the two or more receivers must be placed within 300m from the transmitter.

Another common application is, for example, if in a venue with two dance floors (let's call them "zones") you want to control both with the same controller. The only advise is that the fixtures in Zone A must use DMX channels other than those used in

Zone B.

⚠ NOTE: If two transmitters are active simultaneously on same ID, although there is no risk of damage to the equipment, we do not recommend to use two or more transmitters on same ID value, as this is absolutely useless.

1) ID code and LED Color

DMX data communication occurs only if transmitter and receiver are both under same ID code. Users can assign a fixture to one of the 7 available bands (or groups) by pressing "ID SEL" button several times. Each ID has a different assigned color as shown in next table.

ID	COLOR
1	Red
2	Green
3	Red + Green = Yellow
4	Blue
5	Red + Blue = Magenta
6	Green + Blue = Cyan
7	Red + Green + Blue = White

This means that the combination Transmitter-Receiver allows the light designer to use up to 7 x 512 DMX channels in the same venue.

2) Wireless DMX Operation

To use this feature, please enter the menu and press MENU button till you don't reach the 2.4G function. Then press ENTER button and set the function to ON by pressing the UP or DOWN button. Finally, Press ENTER to confirm. The red LED on front panel will lit, confirming you that the wireless function is active.

Now you need to set up the transmitter in order to match the ID1 group (Red color LED). Please refer to the transmitter user manual for further information.

Once communication is established (red LED will be always lit, you have to adjust the PORTRAIT TONDO DMX channel in order to match the controller (e.g.: if your PAR is in 6-Channel mode, and DMX channel is set to 1, the controller can adjust values of DMX channels from 1 to 6 in a range between 0 and 255).

6 - INTERNAL MODES

6.1 Master/Slave Mode

The PORTRAIT TONDO can work in Master/Slave mode with wireless or XLR cable connection.

1) Master/Slave in Wireless DMX Mode

- First of all, set up all fixture 2.4G function to "ON". Keep one fixture as master unit (you do not need to make any change to the master unit except setting its 2.4G to On).
- Set up DMX address to "A001" (in case of 10-Channel mode) or "d001" (in case of 6-channel mode) for all other fixtures, and keep the led display showing "A001" or "d001". These fixtures will work as slave units.
- Operate the Master unit to run "CL01" or "CC01" or "FF01" or "St01" or "SoU1", or manual color mixing or sound control. All fixtures will run synchronously in Master/Slave mode.

2) Master/Slave with XLR Cable

- First of all, set up ALL fixture 2.4G function to "OFF", including the one to work as master unit.
- Set all slave fixture DMX address to "A001" (for 10-channel mode) or "d001" (for 6-channel mode). Do not need to make any change to the master unit except 2.4G to Off.
- Connect all fixture with 3-pin XLR cable.
- Operate the Master unit to run "CL01" or "CC01" or "FF01" or "St01" or "SoU1", or manual color mixing or sound control. All fixtures will run synchronously in Master/Slave mode.

6.2 Sound Mode

There are 4 sound modes to activate built-in programs with music.

Continue pressing "Menu" till "SoU1" appears. Press "Enter" to save the setting.

- Sou1 - Color mixing sound control
- Sou2 - Color fading sound control
- Sou3 - Color changing + strobe sound control
- Sou4 - Color changing + color fading + strobe sound control

6.3 Preset Color Mode

There are preset color changing, mixing and dimming modes.

1st Level	2nd Level	3rd Level	Description
CL01	CL01-CL32		Static Color Mode
CC01	CC01-CC99		Color Changing Mode
EE01	EE01-EE99		Color Fading Mode 1
FF01	FF01-FF99		Color Fading Mode 2

St01	St01-St32	SP01-SP99	Strobe Mode (Press ENTER to adjust speed from SP01 to SP99, - slow to fast)
SoU1	SoU1-SoU4		Sound Control Sou1: Color Mixing Sou2: Color Changing Sou3: Color Changing + Strobe Sou4: Color mixing + Color Changing+ Strobe

6.4. Custom Color Mixing

Users are allowed to program their own color effects and save to your fixture.

- Keep pressing "Menu" button until you see "r255", "G255", "b255", "U255", "Y255" and "P255".
- Scroll UP/DOWN to set color brightness, then press "Enter" to confirm your settings.

1st Level	2nd Level	3rd Level	Description
r255	r001-r255	Enter	Manual Color Mode Red
G255	G001-G255	Enter	Manual Color Mode Green
b255	b001-b255	Enter	Manual Color Mode Blue
U255	U001-U255	Enter	Manual Color Mode White
Y255	Y001-Y255	Enter	Manual Color Mode Yellow (Amber)
P255	P001-P255	Enter	Manual Color Mode Purple (UV)

- Press "MENU" to exit from current setup.

When the fixture is switched off and then on again, the fixture will go back to what it was set at.

6.5. Dimmer Refresh Rate

PORTRAIT TONDO is suitable for video shooting as it has "flicker-free" operation, ie the dimmer control scan frequency can be adjusted from 600Hz to 24kHz. The more this value is high, the less the flickering effect is visible when a camera shoots the light source.

To check and/or adjust the refreshing rate, go to the DMX512 menu, press ENTER to access sub-menu and select A001. Then, press MENU for a few seconds. You will then select values between 600Hz to 24kHz by pressing the UP/DOWN buttons.





6.6. IR Remote Control

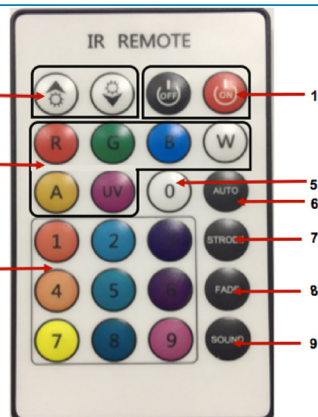
This operation mode allows users to control the fixture with an infrared remote controller.

- To control your fixture with IR controller, please set 2.4G to "OFF".
- To activate IR remote control, press "Menu" until "IrcL" (IR control) appears.

- Press “Up” or “Down” button and select “On”.
- Press “Enter” to save the setting.

To control the fixture with this IR remote controller, make sure to point the controller directly to the IR receiving sensors on the product. Make sure there are no objects between the controller and the fixture.

1. Sets the fixture into blackout (LED on/off).
2. Adjusts auto, strobe & fade speed, sou1 to sou4.
3. Sets static color. Press buttons in this area to select static color.
4. Sets static mixed colors (press buttons in this area to select 9 static mixed colors).
5. Use this button to select 32 mixed static colors followed from 1 to 32.
6. Run auto mode, followed by  buttons to adjust auto speeds.
7. Run 32 strobe programs, use  buttons to adjust strobe speed.
8. Run Fade mode, followed by  buttons to adjust fade speed.
9. Run sound program, followed by the  buttons to select from sou1 to sou4.



⚠ Note: The remote control uses a CR2025 3Volt Lithium battery. Be sure the battery is correctly installed, and make sure it is charged.

7 - BATTERY MAINTENANCE

The PORTRAIT TONDO has a rechargeable lithium battery and a built-in auto-ranging charger circuit. Please follow the instructions below to assure a correct use, long-life and maintenance.

⚠ Always store the fixtures with full battery. Never store the battery when fully drained. Always recharge immediately when empty. Partially charged batteries will lose capacity. Fully recharge every 6 months if not used.

⚠ Before charging the fixture, ensure that the voltage and frequency of power supply match the power requirements of the product.

⚠ When charging fixtures in the flight case, always charge with the case open. It is recommended to charge at a temperature between 0°C and 35°C

⚠ Battery runtime will decreased time by time, and it may be slightly shorter than predicted due to different working environments.

7.1 Battery Charge

To charge the battery, place back the fixture into the charge case, and just plug in the power cable in the case. Connect the charge case power input to the mains with the enclosed power cable. It will start charging automatically. A normal charging time is about 4-5 hours.

7.2 Battery Charge Indicator

There is a charge indicator on the top of the fixture. Red light will turn on during the whole charging time. Once the battery is fully charged, the indicator will turn on green.



- Red - battery being charged
- Green - battery fully charged

The led display can also work as charge indicator as shown below while fixture is switched on.



It is recommended to charge the fixture at an ambient temperature between 0°C and 35°C.

⚠ Note: The battery must be replaced with an original one from the manufacturer only.

7.3 Battery Safety and Disposal Instructions

Please follow the instructions below for safe handling of and proper disposal of user-serviceable batteries.

Make sure the battery will be disposed of properly according to your local law when it runs out of its life, so that to protect the environment. Batteries may present a risk of fire, explosion, or chemical burn if mistreated.

- Do not disassemble, puncture, modify, drop, throw, or cause other unnecessary shocks to batteries.
- Do not dispose of batteries in a fire or trash incinerator, or leave batteries in hot places such as a automobile under direct sunlight, near an oven, stove, or other heat source.
- Do not connect batteries directly to an electrical source, such as a building outlet or automobile power-point.
- Do not place batteries into a microwave oven, or into any other high-pressure container.
- Do not immerse batteries in water or otherwise get them wet.
- Do not short circuit batteries; for example, do not carry loose batteries in a pocket or purse with other metal objects, which may inadvertently cause a battery to short circuit. Do not reverse the polarity (positive and negative terminals) of batteries.

8 - DMX CHANNEL CHART

Ch Mode	Channel	Function	Value	Description
6 CH	1	Red	0-255	0-100%
	2	Green	0-255	0-100%
	3	Blue	0-255	0-100%
	4	White	0-255	0-100%
	5	Yellow/ Amber	0-255	0-100%
	6	Purple/UV	0-255	0-100%
10 CH	1	Dimming	0-255	0-100%
	2	Red	0-255	0-100%
	3	Green	0-255	0-100%
	4	Blue	0-255	0-100%
	5	White	0-255	0-100%
	6	Yellow/ Amber	0-255	0-100%
	7	Purple/UV	0-255	0-100%
	8	Strobe	0-10	No function
			11-255	Strobe from slow to fast
	9	Preset program	0-9	No function
			10-50	Color mixing mode
			51-100	Color changing 1
			101-150	Color dimming
151-200			Color changing 2	

10 CH	9	Preset program	201-220	Sound control-Color changing 1
			221-240	Sound control-Color changing + strobe
			241-255	Sound control-Color changing 2
10	Speed	0-255	Speed from slow to fast	
		221-255	10-color color changing	

9 – TECHNICAL SPECIFICATIONS

Light Source	6x 10W RGBWA+UV 6in1 high-efficiency LEDs
Led Life Span	50,000 hours
Beam angle	25°
Field angle	39°
Flicker Free	Yes (adjustable refresh rate from 600Hz to 24kHz)
Control Modes	DMX512, Master/Slave, Stand Alone, IR Remote Control
DMX Channels	6Ch or 10Ch control modes, selectable
DMX Connections	3-Pin XLR Input/Output (IP65)
Control panel	4x character LED display + 4 Buttons
Housing	Die-Cast Aluminum Housing
IP rating	IP65
Cooling	Natural cooling with silent operation
Housing color	Black
Power input	100-240VAC 50/60Hz
Power Consumption	65W
Power input/output	PowerCon Input/Output (IP65)
Battery Type	Rechargeable Lithium-Ion Battery
Charge Time	About 4.0 - 5.0 hours
Battery life	Around 6 hours at full color from one full charge, around 8 hours at running preset programs, around 12 hours at running single color
Fixture Size (WxDxH)	280 x 246 x 180mm (11.02 x 9.68 x 7.09 inch)
Net weight	4.0 kg - 1.81 lbs.

9.1 Portrait Tondo Case Specifications

Power input	100-240VAC 50/60Hz
Power consumption	Max. 400W
Fuse	F10A-250V
Power In/Out Connections	Powercon Input / Output
Size (WxDxH)	880 x 650 x 510 mm (34.64 x 25.59 x 20.08 inch)
Weight	61 kg - 134.48 lbs. (including 6 Pars and accessories)

Note: Our products are subject to a process of continual further development. Therefore modifications to the technical features remain subject to change without further notice.

10 - WARRANTY AND SERVICE

All CENTOLIGHT products feature a limited two-year warranty. This two-year warranty starts from the date of purchase, as shown on your purchase receipt. The following cases/components are not covered by this warranty:

- Any accessories supplied with the product
- Improper use
- Fault due to wear and tear
- Any modification of the product effected by the user or a third party

CENTOLIGHT shall satisfy the warranty obligations by remedying any material or manufacturing faults free of charge at CENTOLIGHT's discretion either by repairing or exchanging individual parts or the entire appliance. Any defective parts removed from a product during the course of a warranty claim shall become the property of CENTOLIGHT.

While under warranty, defective products may be returned to your local CENTOLIGHT dealer together with the original proof of purchase. To avoid any damages in transit, please use the original packaging if available. Alternatively, you can send the product to CENTOLIGHT SERVICE CENTER - Via Enzo Ferrari, 10 - 62017 Porto Recanati - Italy. In order to send a product to service center, you need an RMA number. Shipping charges have to be covered by the owner of the product.

For further information please visit www.centolight.com

11 - WARNING

PLEASE READ CAREFULLY - EU and EEA (Norway, Iceland and Liechtenstein) only



This symbol indicates that this product is not to be disposed of with your household waste, according to the WEEE Directive (2012/19/UE) and your national law.



This product should be handed over to a designated collection point, e.g., on an authorized one-for-one basis when you buy a new similar product or to an authorized collection site for recycling waste electrical and electronic equipment (WEEE).

Improper handling of this type of waste could have a possible negative impact on the environment and human health due to potentially hazardous substances that are generally associated with EEE. At the same time, your cooperation in the correct disposal of this product will contribute to the effective usage of natural resources.

For more information about where you can drop off your waste equipment for recycling, please contact your local city office, waste authority, approved WEEE scheme or your household waste disposal service.

SOMMARIO

1 - Prima Di Iniziare	24
2 - Istruzioni di Sicurezza	25
2.1. Significato dei simboli - - - - -	25
3 - Introduzione	25
3.1. Caratteristiche - - - - -	26
3.2. Dimensioni del Faro - - - - -	26
3.3. Dimensioni del Flight Case - - - - -	27
3.4. Descrizione di Comandi e Connessioni - - - - -	27
3.5. Connessione di Alimentazione In/Out - - - - -	29
3.6. Posizionamento del Dispositivo - - - - -	30
4 - Funzionamento	32
4.1. Mappa dei Menu - - - - -	32
5 - Controllo DMX	33
5.1. Controllo DMX Cablato - - - - -	33
5.2. Controllo DMX Wireless - - - - -	34
6 - Modalità Interne	36
6.1. Modalità Master/Slave - - - - -	36
6.2. Modalità Sound - - - - -	36
6.3. Modalità preimpostate dei Colori - - - - -	37
6.4. Miscelazione personalizzata dei Colori - - - - -	37
6.5. Velocità di Scansione del Dimmer (Flicker-Free) - - - - -	37
6.6. Telecomando IR - - - - -	38
7 - Manutenzione della Batteria	39
7.1. Carica della Batteria - - - - -	39
7.2. Indicatore di Carica della Batteria - - - - -	39
7.3. Istruzioni per la sicurezza e lo smaltimento della batteria - - - - -	40
8 - Specifiche Tecniche	41
8.1. Specifiche Tecniche del PORTRAIT TONDO - - - - -	41
8.2. Specifiche Tecniche del PORTRAIT TONDO CASE - - - - -	41
9 - Garanzia e Assistenza	42
10 - Avviso UE e SEE (Norvegia, Islanda, Liechtenstein)	42

1 - PRIMA DI INIZIARE

Grazie per aver acquistato il set di fari PORTRAIT TONDO. Prima di iniziare, assicuratevi di leggere attentamente questo manuale! Esso utente è stato creato per fornire sia una panoramica dei controlli, sia informazioni su come usarli.

1) Cosa è Incluso

La confezione include:

- 6 x Par PORTRAIT TONDO
- 6 x Telecomando
- 1 x Flight Case per 6 Unità
- 1 x Cavo di Alimentazione con connettori Europlug / Powercon
- Questo Manuale d'uso

⚠ ATTENZIONE: La confezione non è un giocattolo! Tenere fuori dalla portata dei bambini! Conservare in un luogo sicuro il materiale di imballaggio originale.

In caso di danni durante il trasporto, informare immediatamente lo spedizioniere e conservare il materiale di imballaggio per l'ispezione. Se l'unità deve essere restituita al produttore, è importante che l'unità venga restituita nella confezione originale del produttore. Si prega di non intraprendere alcuna azione senza prima contattarci.

2) Accessori

CENTOLIGHT fornisce un'ampia gamma di accessori di qualità che è possibile utilizzare con le apparecchiature della serie PORTRAIT, come cavi, splitter, controller DMX, materiali di consumo e un'ampia gamma di altri fari.

Tutti i prodotti nel nostro catalogo sono stati testati a lungo con questo dispositivo, quindi ti consigliamo di utilizzare accessori e ricambi originali CENTOLIGHT. Chiedete al vostro rivenditore CENTOLIGHT o visitate il nostro sito web www.centolight.com per eventuali accessori di cui potreste aver bisogno per garantire le migliori prestazioni al vostro prodotto.

3) Limiti di Responsabilità

Le informazioni e le specifiche contenute in questo manuale utente sono soggette a modifiche senza preavviso. CENTOLIGHT non si assume alcuna responsabilità per eventuali errori od omissioni e si riserva il diritto di rivedere o creare questo manuale in qualsiasi momento.

Copyright© 2024 CENTOLIGHT. Tutti i diritti riservati.

2 - ISTRUZIONI DI SICUREZZA

- Leggete queste istruzioni
- Conservate queste istruzioni
- Prestate attenzione a tutti gli avvertimenti
- Seguite tutte le istruzioni

2.1 Significato dei simboli



Questo simbolo viene utilizzato per indicare che all'interno di questo apparecchio sono presenti terminali sotto tensione, anche in condizioni operative normali, che possono essere sufficienti a costituire il rischio di scosse elettriche o morte.



Questo simbolo è usato per descrivere importanti problemi di installazione o configurazione. Il mancato rispetto dei consigli e delle informazioni su come evitare tali problemi può portare al malfunzionamento del prodotto.



Questo simbolo indica un terminale di messa a terra.

ATTENZIONE

Descrive precauzioni da osservare per prevenire lesioni o morte dell'operatore.



Per proteggere l'ambiente, cercare di riciclare il più possibile il materiale di imballaggio e i materiali di consumo esauriti



Non gettare questo prodotto come spazzatura generica, conferire il prodotto seguendo le normative sui rifiuti elettronici in vigore nel vostro paese.

1) Manutenzione

Non effettuare alcuna manutenzione diversa da quelle descritte nel presente manuale. In caso di ulteriori manutenzioni, rivolgersi a personale specializzato. Eventuali componenti interni devono essere acquistati da rivenditori specializzati. Utilizzare solo accessori o parti raccomandate dal produttore.

3 - INTRODUZIONE

PORTRAIT TONDO è un PAR alimentato a batteria (o alimentato da rete) con grado di protezione IP65, appositamente progettato per l'uso esterno anche per lunghi periodi. Il sistema di emissione luminosa è costituito da 6 LED RGBWA+UV 6in1 da 10W ciascuno, con una durata di circa 50.000 ore.

La regolazione dimmer ha una frequenza di refresh regolabile tra 600Hz e 24kHz, e consente l'uso anche in applicazioni video e broadcast. Ogni LED è dotato di una lente di alta qualità con angolo del fascio luminoso a 25° e campo luminoso di 39°, che rendono il PORTRAIT TONDO ideale per applicazioni sia wash che beam.

Le due staffe regolabili sono progettate per consentire il posizionamento a terra o il montaggio su tralicci. Entrambe le connessioni Power In/Out e DMX In/Out sono completamente impermeabili e dotate di tappi in gomma per impedire l'ingresso di liquidi o umidità.

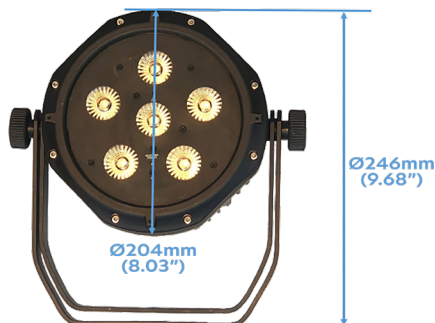
Il telaio in alluminio pressofuso consente sia l'impermeabilità che la dissipazione totale del calore anche in caso di funzionamento al sole. Pertanto, non essendo necessaria alcuna ventola, il PORTRAIT TONDO è totalmente silenzioso.

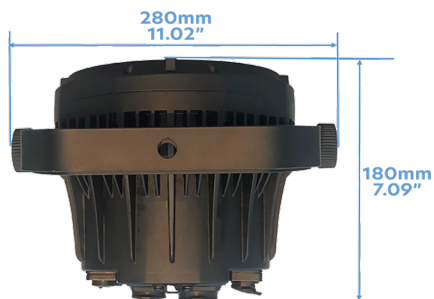
La batteria al litio ad alta efficienza garantisce una carica completa da zero entro circa 4-5 ore e una durata di circa 6 ore con tutti i colori; circa 8 ore durante l'esecuzione di programmi preimpostati o DMX; circa 12 ore per eseguire il colore singolo. La funzione DMX wireless e il telecomando a infrarossi consentono di controllare tutte le unità senza l'uso di centraline DMX con cavo.

3.1. Caratteristiche

- 6 LED RGBWA+UV 6in1 da 10 W ad alta efficienza e lunga durata
- Fascio di luce a 25°; Angolo del campo luminoso a 39°
- Funzionamento flicker-free con frequenza di aggiornamento regolabile
- Connessioni di Powercon e DMX In/Out impermeabili
- Funzionamento DMX wireless
- Telecomando a raggi infrarossi
- Struttura in alluminio pressofuso con protezione IP65 senza ventole
- Batteria ricaricabile agli ioni di litio per un massimo di 12 ore di funzionamento
- Flight case a 6 unità con funzione di ricarica

3.2. Dimensioni del Faro

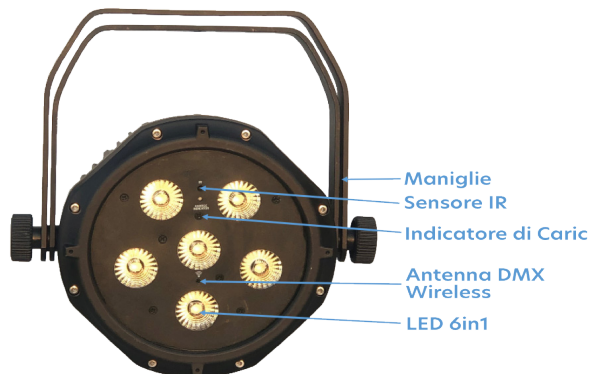




3.3. Dimensioni del Flight Case



3.4. Descrizione di Comandi e Connessioni



Maniglie - Queste possono essere usate per posizionare il PAR direttamente sul pavimento o su un traliccio con qualsiasi orientamento

Sensore IR - Il tuo PORTRAIT TONDO usa un telecomando IR per controllare la luce. Funziona entro 5 m dall'apparecchio. Si prega di leggere la sezione "Telecomando IR" per ulteriori dettagli.

Indicatore di Carica - Mostra il livello di carica della batteria. Si prega di leggere il paragrafo "Indicatore di Carica della Batteria" per ulteriori informazioni.

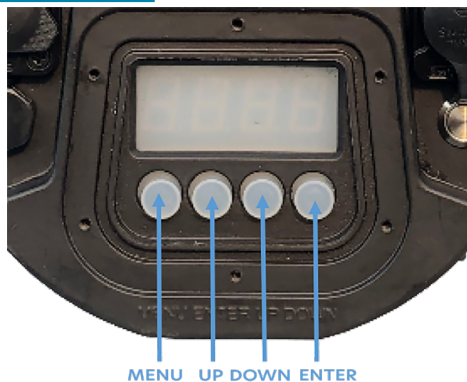
Antenna DMX Wireless - Questa funzione consente di controllare a distanza l'apparecchiatura collegandosi a un trasmettitore DMX wireless. Si prega di leggere il paragrafo "Controllo DMX Wireless" per ulteriori informazioni.

Led 6in1 - PORTRAIT TONDO è dotato di 6 LED RGBWA + UV 6in1.

1) Pannello Posteriore

- **Ingresso Alimentazione** - Inserire correttamente il cavo di alimentazione in una presa AC configurata per il proprio modello. Utilizzare i connettori di alimentazione IP65 per preservare il grado di impermeabilità.
- **Valvola** - Questa valvola viene utilizzata per far entrare e uscire l'aria dall'interno dell'alloggiamento, in modo da mantenere l'equilibrio della pressione dell'alloggiamento ed evitare che l'acqua penetri all'interno.
- **Pannello di Controllo** - È possibile impostare l'unità tramite l'utilizzo di una serie di pulsanti e questo display.
- **Interruttore di Alimentazione** - Questo interruttore è utilizzato per accendere o spegnere il dispositivo
- **Uscita di Alimentazione** - Questa spina viene utilizzata per alimentare un'altra unità PAR, al fine di semplificare il cablaggio durante l'installazione. Utilizzare i connettori di alimentazione IP65 per preservare il grado di impermeabilità. Assicurarsi che il consumo di corrente totale di tutti i dispositivi collegati non superi il valore specificato nella sezione "Specifiche Tecniche".
- **Ingresso DMX** - Presa XLR a 3 pin maschio per il collegamento a un dispositivo di controllo DMX. Utilizzare i connettori IP65 per preservare il grado di impermeabilità.
- **Uscita DMX** - Presa XLR femmina a 3 pin per l'invio del segnale di controllo DMX. Utilizzare i connettori IP65 per preservare il grado di impermeabilità.

2) Pannello di Controllo del Faro



- **Menu** Premere il pulsante MENU fino a visualizzare l'opzione desiderata.
- **Down** Consente lo scorrimento all'indietro nell'elenco dei menu e decrementa il valore della funzione corrente
- **Up** Consente lo scorrimento in avanti nell'elenco dei menu ed aumenta il valore della funzione corrente
- **Enter** Entra nel menu corrente o conferma il valore della funzione corrente.

3.5. Connessione di Alimentazione In/Out

- Assicurarsi sempre che la tensione della presa alla quale si sta connettendo il prodotto sia compatibile con le specifiche indicate nel paragrafo "Specifiche Tecniche" o sul pannello posteriore del prodotto (AC110V-240V 50/60Hz).
- Assicurarsi che il cavo di rete non sia danneggiato o abbia fili scoperti. Non collegare mai questo prodotto a un Dimmer Pack o un Variatore di Tensione.
- Non scollegare mai il prodotto tirandolo con forza il cavo di alimentazione.
- Per evitare scosse elettriche, tutti gli apparecchi devono essere collegati a circuiti con interruttore automatico.
- La corrispondenza dei fili interni al cavo è la seguente:

Colore Filo (EU)	Funzione	Nomenclatura Internazionale
Marrone	Fase	L
Blu	Neutro	N
Giallo/Verde	Terra	⊕

⚠ La Terra deve essere collegata! Prima di mettere in funzione per la prima volta, far approvare l'installazione da un esperto.

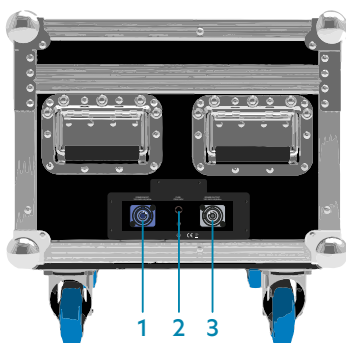
1) Connettore di Alimentazione di Rilancio

Questo faretto è dotato di una presa di alimentazione di uscita da usare come sorgente di rete in caso di **connessione in cascata fino a un massimo di 8 dispositivi**.



2) Connettori di Ingresso/Uscita del Flight Case

Il flight Case del set PORTRAIT TONDO è dotato della funzione di carica per le 6 unità PORTRAIT TONDO collocate all'interno. Permette inoltre di collegare più flight case con connessione in cascata tramite i connettori Powercon di uscita.



- 1. Connettore di ingresso di alimentazione:** Collegare il cavo di rete incluso nel set a una presa con tensione di rete a 100-240Vac - 50/60Hz.
- 2. Porta-fusibile:** Fusibile F10AL / 250V (5x20mm). In caso di bruciatura del fusibile, per evitare il rischio di incendio e danneggiare l'unità, utilizzare solo un tipo di fusibile come descritto. Prima di sostituire il fusibile, assicurarsi che l'unità sia spenta e scollegata dalla presa di rete.
- 3. Connettore di uscita di alimentazione:** Questo apparecchio è dotato di un connettore di alimentazione di uscita da utilizzare come sorgente di rete elettrica in caso di **collegamento in cascata fino a un massimo di 2 flight case**.

3.6. Posizionamento del Dispositivo

Il PORTRAIT TONDO può essere montato in due modi.

1) Usa a Terra

Il Par può essere posizionato su un piano. Ha una doppia staffa a C per regolare l'inclinazione. Assicurarsi che l'apparecchio sia sempre posizionato su un piano solido e uniforme; e mantenerlo a 0,5 m dagli oggetti su cui proiettare la luce.

2) Installazione su Tralicci

Le staffe a C del PORTRAIT TONDO consentono all'utente di appendere il dispositivo su una truss o un altro tipo di struttura sospesa. Controllare la linea di ganci e accessori su www.centolight.com per ulteriori dettagli. Gli utenti devono anche assicurarsi che la barra trasversale sia stabile, non si muova e possa sopportare un peso di 40 kg (il peso netto del dispositivo è 4 kg).

⚠ Prestare attenzione alla sicurezza! Si prega di considerare rispettivamente la EN 60598-2-17 e lo standard nazionale durante l'installazione.

- L'installazione del dispositivo deve essere progettata e costruita in un modo che possa sopportare 10 volte il peso per 1 ora, senza alcun cedimento o danneggiamento della struttura. L'installazione deve essere sempre protetta con un dispositivo di sicurezza secondario, ad esempio un cavo di sicurezza. Questo dispositivo deve essere realizzato in un modo tale che nessuna parte del prodotto possa cadere se il fissaggio principale cedesse.
- Durante le operazioni di montaggio, smontaggio o manutenzione del faro è vietato consentire lo stazionamento o anche solo il passaggio nell'area sottostante. L'operatore deve assicurarsi che l'installazione e i sistemi di sicurezza siano approvati da un esperto prima di avviare per la prima volta il funzionamento o dopo aver apportato qualsiasi modifica. Deve inoltre assicurarsi che un esperto approvi l'installazione e i dispositivi di sicurezza ogni anno.

⚠ ATTENZIONE: l'apparecchio deve essere installato al di fuori di aree in cui le persone possono camminarvi sotto o stazionare.

⚠ IMPORTANTE: il montaggio su strutture sospese richiede un'esperienza specifica; tra cui (ma non soltanto) il calcolo dei limiti di carico di lavoro, la scelta del materiale di installazione e l'ispezione periodica del proiettore e dei dispositivi di sicurezza. Se non si dispone di tali qualifiche, è bene non procedere con l'installazione da soli, ma si consiglia di rivolgersi a professionisti specializzati.

- Se il faro deve essere alzato verso/o abbassato dal soffitto o da travi sospese, è consigliabile usare sistemi di tralicci professionali.
- In caso di installazione su parete, soffitto o traliccio, è richiesto l'uso di cavi di sicurezza come l' LW3-76A o l' LW4-76A (opzionali) e di adattatori a traliccio come le serie SLH e SQC (opzionali). Visita www.centolight.com per ulteriori dettagli.

- L'apparecchio non deve mai essere lasciato oscillare liberamente.

⚠ ATTENZIONE: utilizzare morsetti appropriati per montare il faro sul traliccio. Assicurarsi che esso sia fissato correttamente e che il traliccio stesso sia sicuro.

⚠ ATTENZIONE: l'apparecchio può causare gravi lesioni quando si schianta. Se hai dei dubbi sulla sicurezza di una possibile installazione, non installare l'apparecchio!

⚠ PERICOLO DI INCENDIO! Quando si installa il faro, assicurarsi che non vi sia alcun materiale altamente infiammabile (decorazioni, ecc.) entro una distanza di meno di 0,5 metri.

4 - FUNZIONAMENTO

4.1 Mappa dei Menu

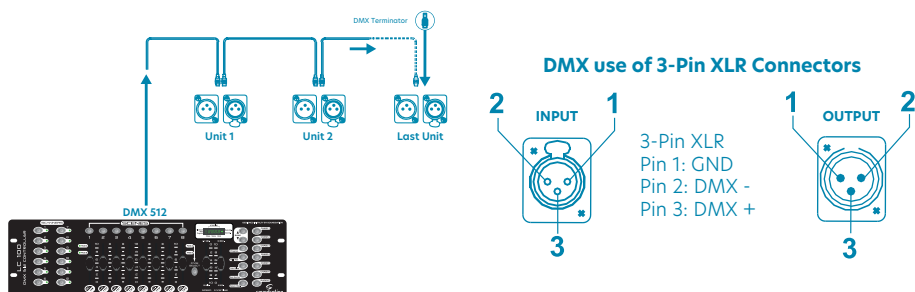
1° Livello	2° Livello	3° Livello	Descrizione
A001	A001-A512		Impostazione dell'indirizzo DMX in modalità 10 canali
d001	A001-A512		Impostazione dell'indirizzo DMX in modalità 6 canali
CL01	CL01-CL32		Modalità colore statico
CC01	CC01-CC99		Modalità cambio colore
EE01	EE01-EE99		Modalità 1 dissolvenza colore
FF01	FF01-FF99		Modalità 2 dissolvenza colore
St01	St01-St32	SP01-SP99	Modalità Strobo (Premere ENTER per regolare la velocità da SP01 a SP99, da lento a veloce)
SoU1	SoU1-SoU4		Controllo del suono Sou1: Miscelazione del colore Sou2: Cambio colore Sou3: Cambio colore + Strobo Sou4: Miscelazione del colore + Cambio colore+ Strobo
lrcl	on-off		Impostazione telecomando IR (L'impostazione predefinita è OFF)
2,4G	on-off		Wireless DMX (Impost. predefinita è off)
t000	off-40-100		Temperatura del dispositivo. L'impostazione predefinita è OFF (Premere ENTER per impostare la potenza dell'apparecchio e ridurre la temperatura)
r255	r001-r255		Modalità manuale colore Rosso

G255	G001-G255		Modalità manuale colore Verde
b255	b001-b255		Modalità manuale colore Blu
U255	U001-U255		Modalità manuale colore Bianco
Y255	Y001-Y255		Modalità manuale colore Giallo (Ambra)
P255	P001-P255		Modalità manuale colore Porpora (UV)

5 - CONTROLLO DMX

5.1. Controllo DMX Cablato

Gli apparecchi DMX sono progettati per ricevere dati attraverso una catena in cascata. Questo tipo di connessione permette di collegare il DMX OUT di un faro al DMX IN del dispositivo successivo. L'ordine in cui i prodotti sono collegati non è importante e non ha alcun effetto su come un controllore comunica a ciascuna apparecchiatura. Utilizzare un ordine che preveda il cablaggio più semplice e diretto.



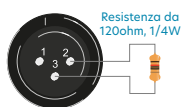
Collegare i dispositivi utilizzando un cavo bipolare schermato a 2 conduttori con connettori XLR maschio-femmina a 3 poli. La connessione dello schermo è il piedino 1, mentre il piedino 2 è negativo (S-) e il piedino 3 è positivo (S+).

⚠ Quando si utilizza un controller DMX, assicurarsi che non vi siano fonti di interferenza (interfono, onde radio ad alta frequenza e sorgenti di radiazioni).

⚠ ATTENZIONE: I fili non devono entrare in contatto l'uno con l'altro; altrimenti i dispositivi non funzioneranno affatto o non funzioneranno correttamente.

1) Terminatore DMX

DMX è un protocollo di comunicazione resiliente, tuttavia si potrebbero verificare occasionalmente degli errori. I terminatori riducono gli errori di segnale; è quindi consigliabile usarle quando si verificano problemi con comportamenti irregolari degli apparecchi; specialmente se la lunghezza dei cavi DMX è elevata.

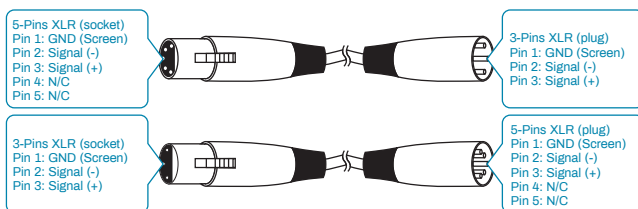
Terminatore DMX

Il terminatore DMX è un connettore XLR con un resistore da 120Ω (ohm), 1/4 Watt collegato attraverso il segnale (-) e il segnale (+), rispettivamente, i pin 2 e 3, che viene quindi inserito nella presa di uscita sull'ultimo proiettore nella catena. Le connessioni sono illustrate di seguito.

⚠ Un cavo di segnale DMX standard può trasmettere segnali a 20 unità al massimo. E' necessario un amplificatore di segnale per collegare più apparecchi.

2) Cavi DMX 3-Poli/5-Poli

I protocolli di connessione DMX utilizzati dai produttori di centraline, teste mobili e fari non sono standardizzati in tutto il mondo. Tuttavia, due sono quelli più comuni: XLR a 5 poli e XLR a 3 poli. Se si desidera collegare questo faro a un dispositivo di ingresso XLR a 5 poli è necessario utilizzare un cavo adattatore o farlo da soli seguendo la corrispondenza di cablaggio tra gli standard di spina e presa a 3 e 5 poli



5.2. Controllo DMX Wireless

Il PORTRAIT TONDO può essere controllato a distanza da ricetrasmittitori wireless DMX. Il faro è dotato di un'interfaccia DMX512 wireless a 2,4 GHz che opera nella banda ISM a licenza libera da 2,400 a 2,525 GHz e adotta il sistema di modulazione GFSK ad alta efficienza. La distanza massima è di 300 m (senza ostacoli). Questa funzione wireless, considerando che il PORTRAIT TONDO è un dispositivo alimentato a batteria, elimina la necessità di cavi e garantisce una comunicazione DMX affidabile e con latenza molto bassa.

Un trasmettitore può gestire più ricevitori contemporaneamente. Questo significa, ad esempio, che una centralina DMX collegata a un trasmettitore a 2,4 GHz può controllare più di un PORTRAIT TONDO, applicazione molto comune in caso di più PAR in un flight case come il Set PORTRAIT TONDO. Naturalmente, i due o più ricevitori devono essere posizionati entro 300m dal trasmettitore.

Un'altra applicazione comune è, ad esempio, se in un locale con due piste da ballo (chiamiamole "zone") si desidera controllare entrambe con la stessa centralina. L'unico avviso è che gli apparecchi nella zona A devono utilizzare canali DMX diversi da quelli utilizzati nella zona B.

⚠ NOTA: Si consiglia di non utilizzare due trasmettitori sullo stesso ID poiché, sebbene non vi sia alcun danno alle apparecchiature, risulta essere inutile.

1) Codice ID e Colore LED

La comunicazione dei dati DMX avviene solo se il trasmettitore e il ricevitore sono entrambi con lo stesso codice ID. Anche se il protocollo DMX wireless utilizzato dal PORTRAIT TONDO incorpora fino a 7 ID, ricordare sempre che funziona solo con ID N.1 (LED rosso). Ad esempio, un ricetrasmettitore accetta fino a 7 ID; a ciascun ID è assegnato un colore diverso, come mostrato nella tabella successiva.

ID	COLORE
1	Rosso
2	Verde
3	Rosso + Verde = Giallo
4	Blu
5	Rosso + Blu = Magenta
6	Verde + Blu = Ciano
7	Rosso + Verde+ Blu = Bianco

PORTRAIT TONDO funziona solo con ID N.1 (LED rosso). Ciò significa che la combinazione trasmettitore-ricevitore consente di utilizzare fino a 512 canali DMX.

2) Funzionamento DMX Wireless

Per utilizzare questa funzione, accedi al menu e premi il pulsante MENU fino a quando non raggiungi la funzione 2.4G. Quindi premere il pulsante ENTER e impostare la funzione su ON premendo i pulsanti UP o DOWN. Infine, premere ENTER per confermare. Il LED rosso sul pannello anteriore si accenderà, confermando che la funzione wireless è attiva. Ora è necessario impostare il trasmettitore in modo che corrisponda al gruppo ID1 (LED di colore rosso). Per ulteriori informazioni, consultare il manuale dell'utente del trasmettitore.

Una volta stabilita la comunicazione (il LED rosso sarà sempre acceso, è necessario regolare il canale DMX del PORTRAIT-610 WP per adattarlo al controller (ad esempio se il PAR è in modalità 6 canali e il canale DMX è impostato su 1, il controller può regolare i valori dei canali DMX da 1 a 6 in un intervallo compreso tra 0 e 255.

6 - MODALITÀ INTERNE

6.1 Modalità Master/Slave

PORTRAIT TONDO può funzionare in modalità Master / Slave con connessione wireless o XLR.

1) Master/Slave in MODALITA' DMX Wireless

- Prima di tutto, impostare tutte le funzioni 2.4G dei dispositivi su "ON". Mantenere un dispositivo come unità principale (non è necessario apportare modifiche all'unità principale se non impostando il suo 2.4G su On).
- Impostare l'indirizzo DMX su "A001" (nel caso della modalità a 10 canali) o "d001" (nel caso della modalità a 6 canali) per tutti gli altri dispositivi e mantenere il display a led che mostra "A001" o "d001". Questi dispositivi funzioneranno come unità SLAVE.
- Selezionare nell'unità Master le funzioni "CL01" o "CC01" o "FF01" o "St01" o "SoU1", oppure miscelazione manuale del colore o controllo del suono. Tutti i dispositivi funzioneranno in modo sincrono in modalità MASTER/SLAVE.

2) Master/Slave CON Cavo XLR

- Prima di tutto, impostare la funzione 2.4G su "OFF" su tutti i dispositivi, incluso quello che funzionerà come unità principale.
- Impostare l'indirizzo DMX di tutti i dispositivi slave su "A001" (per la modalità a 10 canali) o "d001" (per la modalità a 6 canali). Non è necessario apportare modifiche all'unità principale tranne che 2.4G su OFF.
- Collegare tutti i dispositivi con un cavo XLR a 3 pin.
- Selezionare nell'unità Master le funzioni "CL01" o "CC01" o "FF01" o "St01" o "SoU1", oppure miscelazione manuale del colore o controllo del suono. Tutti i dispositivi funzioneranno in modo sincrono in modalità MASTER/SLAVE.

6.2 Modalità Sound

Ci sono 4 modalità audio per attivare i programmi integrati con la musica. Premere ripetutamente il pulsante "MENU" fino a visualizzare "SoU1". Premere "ENTER" per salvare l'impostazione.

- Sou1 - Miscelazione dei colori
- Sou2 - Dissolvenze dei colori
- Sou3 - Cambio dei colori + Strobo
- Sou4 - Cambio dei colori + Dissolvenze dei colori + Strobo

6.3 Modalità preimpostate dei Colori

Ci sono modalità di cambio colore, miscelazione predefinite.

1° Livello	2° Livello	3° Livello	Descrizione
CL01	CL01-CL32		Modalità colore statico
CC01	CC01-CC99		Modalità cambio colore
EE01	EE01-EE99		Modalità 1 dissolvenza colore

FF01	FF01-FF99		Modalità 2 dissolvenza colore
St01	St01-St32	SP01-SP99	Modalità Strobo (Premere ENTER per regolare la velocità da SP01 a SP99, da lento a veloce)
SoU1	SoU1-SoU4		Controllo del suono Sou1: Miscelazione del colore Sou2: Cambio colore Sou3: Cambio colore + Strobo Sou4: Miscelazione del colore + Cambio colore+ Strobo

6.4. Miscelazione personalizzata dei Colori

Gli utenti possono programmare i propri effetti colore e salvarli sul dispositivo.

- Premere ripetutamente il pulsante "MENU" fino a visualizzare "r255", "G255", "b255", "U255", "Y255" e "P255".
- Premere i pulsanti UP/DOWN per impostare la luminosità del colore e quindi premere il pulsante "ENTER" per confermare le impostazioni.

1° Livello	2° Livello	3° Livello	Descrizione
r255	r001-r255	ENTER	Modalità manuale colore Rosso
G255	G001-G255	ENTER	Modalità manuale colore Verde
b255	b001-b255	ENTER	Modalità manuale colore Blu
U255	U001-U255	ENTER	Modalità manuale colore Bianco
Y255	Y001-Y255	ENTER	Modalità manuale colore Giallo (Ambra)
P255	P001-P255	ENTER	Modalità manuale colore Porpora (UV)

- Premere "MENU" per uscire dalla configurazione corrente.

Quando l'apparecchio viene spento e poi riacceso, l'apparecchio torna alla funzione su cui era impostato.

6.5. Velocità di Scansione del Dimmer (Flicker-Free)

Il PORTRAIT TONDO è adatto a riprese video in quanto è "Flicker-free", ovvero la frequenza di scansione del controllo Dimmer può essere regolata da 600Hz a 24kHz. Più questo valore è elevato; meno l'effetto di tremolio è visibile quando una fotocamera riprende la sorgente luminosa.


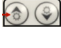
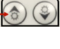
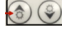
Per controllare e/o regolare la velocità di aggiornamento, andare al menu DMX512, premere ENTER per accedere al sotto-menu e selezionare A001. Quindi, premere MENU per alcuni secondi. Si potranno quindi selezionare valori tra 600Hz a 24kHz premendo i pulsanti SU / GIÙ.

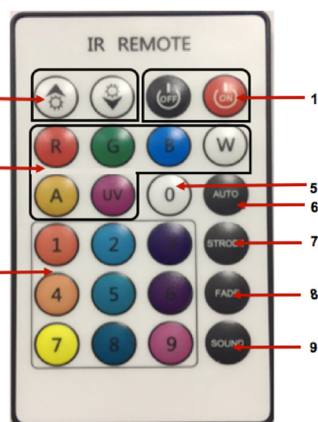
6.6. Telecomando IR

Questa modalità operativa consente agli utenti di controllare l'apparecchiatura con un telecomando a infrarossi.

- Per controllare il dispositivo con il telecomando, impostare 2.4G su "OFF".
- Per attivare il telecomando, premere ripetutamente il pulsante "MENU" fino a quando appare "IrcL" (controllo IR).
- Premere i pulsanti "UP" o "DOWN" per selezionare "On" e poi il pulsante "ENTER" per salvare l'impostazione.

Per controllare il dispositivo con il telecomando IR, assicurarsi di puntarlo direttamente verso i sensori di ricezione IR sul prodotto. Assicurarsi che non vi siano oggetti tra il telecomando e il dispositivo.

1. Imposta l'apparecchiatura in blackout (LED acceso/spento).
2. Regola la velocità automatica, strobo e dissolvenza, da sou1 a sou4.
3. Impostano il colore statico. Premere i pulsanti in quest'area per selezionare il colore statico.
4. Impostano i colori misti statici (premere i pulsanti in quest'area per selezionare 9 colori misti statici).
5. Utilizzare questo pulsante per selezionare 32 colori statici misti da 1 a 32.
6. Esegui la modalità automatica ed usare i pulsanti  per regolare la velocità automatica.
7. Esegui 32 i programmi strobo ed usare i pulsanti  per regolare la velocità della strobo.
8. Esegui la modalità dissolvenza e con i pulsanti  regolare la velocità delle dissolvenze.
9. Esegui il programma Sound. Con i pulsanti  si possono selezionare i programmi da Sou1 a Sou4.



7 - MANUTENZIONE DELLA BATTERIA

Il PORTRAIT TONDO è dotato di una batteria al litio ricaricabile e di un circuito di ricarica automatico integrato. Seguire le istruzioni seguenti per garantire un uso, una durata e una manutenzione corretti.

⚠ Conservare sempre gli apparecchi con la batteria carica; non conservare mai quando è completamente scarica e ricaricare sempre quando è scarica. Le batterie parzialmente cariche perdono capacità. Ricaricare completamente ogni 6 mesi se non utilizzata.

⚠ Prima di caricare l'apparecchiatura, assicurarsi che la tensione e la frequenza dell'alimentazione corrispondano ai requisiti di alimentazione del prodotto.

⚠ Quando si caricano dispositivi nel flight case, caricare sempre con la custodia aperta. Si consiglia di caricare a una temperatura compresa tra 0 ° C e 35 °. L'autonomia della batteria diminuirà di volta in volta e potrebbe essere leggermente più breve di quanto previsto a causa dei diversi ambienti di lavoro.

7.1. Carica della Batteria

Per caricare la batteria, reinserire l'apparecchiatura nella custodia di ricarica e inserire semplicemente il cavo di alimentazione nella custodia. Collegare l'ingresso di alimentazione della custodia di ricarica alla rete con il cavo di alimentazione in dotazione. Inizierà a caricarsi automaticamente. Un tempo di ricarica normale è di circa 4-5 ore.

7.2. Indicatore di Carica della Batteria

C'è un indicatore di carica sulla parte superiore del dispositivo. La luce rossa si accenderà per tutto il tempo di ricarica. Una volta che la batteria è carica, l'indicatore diventerà di colore verde.



- Rosso - Batteria in carica
- Verde - Batteria completamente carica

Il display a led (7 segmenti) può anche funzionare come indicatore di carica come mostrato di seguito mentre l'apparecchiatura è accesa.



Si consiglia di caricare l'apparecchiatura a una temperatura ambiente compresa tra 0 ° C e 35 ° C.

⚠ Nota: Quando la batteria deve essere sostituita, utilizzare soltanto quella originale fornita dal produttore.

7.3. Istruzioni per la sicurezza e lo smaltimento della batteria

Seguire le istruzioni seguenti per la manipolazione sicura e il corretto smaltimento delle batterie da parte dell'utente. Assicurarsi che la batteria venga smaltita corret-

tamente in base alle leggi locali quando si esaurisce, in modo da proteggere l'ambiente. Le batterie possono presentare un rischio di incendio, esplosione o ustioni chimiche se non trattate in modo adeguato.

- Non disassemblare, forare, modificare, far cadere, lanciare o provocare altri shock non necessari alle batterie.
- Non gettare le batterie nel fuoco o nell'inceneritore di rifiuti, né lasciarle in luoghi caldi come un'automobile alla luce diretta del sole, vicino a un forno, una stufa o un'altra fonte di calore.
- Non collegare le batterie direttamente a una fonte elettrica, come una presa di corrente dell'edificio o un punto di alimentazione dell'automobile.
- Non immergere le batterie in acqua o bagnarle in altro modo.
- Non cortocircuitare le batterie; ad esempio, non trasportare batterie scariche in una tasca o in una borsa con altri oggetti metallici, che potrebbero inavvertitamente causare un corto circuito della batteria.
- Non invertire la polarità (terminali positivi e negativi) delle batterie.

8 - TABELLE DMX

Modalità	Canale	Funzione	Valore DMX	Descrizione
6 CH	1	Rosso	0-255	0-100%
	2	Verde	0-255	0-100%
	3	Blù	0-255	0-100%
	4	Bianco	0-255	0-100%
	5	Giallo/ Ambra	0-255	0-100%
	6	Porpora/UV	0-255	0-100%
10 CH	1	Dimming	0-255	0-100%
	2	Rosso	0-255	0-100%
	3	Verde	0-255	0-100%
	4	Blù	0-255	0-100%
	5	Bianco	0-255	0-100%
	6	Giallo/ Ambra	0-255	0-100%
	7	Porpora/UV	0-255	0-100%
	8	Strobo	0-10	Nessuna funzione
			11-255	Strobo da lenta a veloce
	9	Programmi preimpostati	0-9	Nessuna funzione
			10-50	Nodalità miscelazione colore
			51-100	Cambio colore 1
			101-150	Dimming Colore
151-200			Cambio colore 2	
201-220			Controllo suono-Cambio colore 1	

10 CH	9	Programmi preimpostati	221-240	Controllo suono-Cambio colore + Strobo
			241-255	Controllo suono-Cambio colore 2
	10	Velocità	0-255	Velocità da lenta a veloce
			221-255	Cambio colore a 10 colori

9 - SPECIFICHE TECNICHE

9.1 Specifiche Tecniche del PORTRAIT TONDO

Sorgente luminosa	6 LED da 10W RGBWA+UV 6in1 ad alta efficienza
Durata dei LED	50.000 ore
Angolo di emissione	25°
Angolo di campo luminoso	39°
Funzionamento Flicker Free	Sì (refresh rate regolabile da 600Hz a 24kHz)
Modalità di controllo	DMX512, Master / Slave, Stand Alone, Telecomando IR
Modalità di controllo DMX	6CH o 10CH, selezionabili
Connessioni DMX	XLR a 3-pin si ingresso e uscita impermeabili (IP65)
Pannello di controllo	4 pulsanti + Display a LED a 4 cifre
Involucro	Struttura impermeabile in alluminio pressofuso
Grado di protezione	IP65
Raffreddamento	Raffreddamento a convezione senza ventola (silenzioso)
Colore faro	Nero
Alimentazione	100-240 V CA 50/60 Hz
Consumo	65W
Ingresso/uscita alimentaz.	Connessione PowerCon impermeabile (IP65)
Tipo di batteria	Batteria ricaricabile agli ioni di litio.
Tempo di ricarica	Circa 4,0 - 5,0 ore
Durata della batteria	Circa 6 ore a colori a partire da una carica completa, circa 8 ore a programmi preimpostati, circa 12 ore a colori singoli
Dimensioni faro (LxPxA)	280 x 246 x 180mm (11.02 x 9.68 x 7.09 inch)
Peso netto	4.0 kg - 8.81 lbs.

9.2 Specifiche Tecniche - Flight Case

Alimentazione	100-240VAC 50/60Hz
Consumo	Max. 400W
Fusibile	F10A-250V
Connettori di Alimentazione	Powercon Ingresso / Uscita
Dimensioni (LxPxA)	880 x 650 x 510 mm (34.64 x 25.59 x 20.08 pollici)
Peso	61 kg - 134.48 lbs. (incluso 6 Par e accessori)

Nota: i nostri prodotti sono soggetti a un processo di sviluppo continuo. Pertanto le modifiche alle caratteristiche tecniche restano soggette a modifiche senza preavviso.

10 - GARANZIA E ASSISTENZA

Tutti i prodotti CENTOLIGHT sono coperti da garanzia di due anni. Essa è valida dalla data di acquisto, come indicato dal documento di acquisto. I seguenti casi/componenti non sono coperti dalla garanzia di cui sopra:

- Tutti gli accessori forniti con il prodotto
- Uso improprio
- Guasto dovuto all'usura
- Ogni modifica del prodotto effettuata dall'utente o da terzi

CENTOLIGHT soddisfa gli obblighi di garanzia dovuti a eventuali materiali non conformi o difetti di fabbricazione, rimediando gratuitamente e a discrezione di CENTOLIGHT, sia mediante riparazione o sostituendo singole parti o l'intero apparecchio. Eventuali parti difettose rimosse da un prodotto durante il corso di una richiesta di garanzia diventano di proprietà di CENTOLIGHT.

Durante il periodo di garanzia, i prodotti difettosi possono essere restituiti al rivenditore CENTOLIGHT con prova di acquisto originale. Per evitare danni durante il trasporto, si prega di utilizzare l'imballo originale (se disponibile). In alternativa, inviare il prodotto a SERVICE CENTER CENTOLIGHT - Via Enzo Ferrari, 10 - 62017 Porto Recanati - Italia. Per inviare un prodotto al centro di assistenza è necessario un numero di RMA. Le spese di trasporto devono essere coperte dal proprietario del prodotto.

Per ulteriori informazioni visitate il sito www.centolight.com

11 - AVVISO UE E SEE (NORVEGIA, ISLANDA, LIECHTENSTEIN)



LEGGETE ATTENTAMENTE - Questo simbolo indica che il prodotto non deve essere smaltito con i rifiuti domestici, in base alla direttiva RAEE (2202/96/CE) e legislazione nazionale.

Il prodotto deve essere consegnato a un centro di raccolta differenziata o, in caso di ritiro dell'usato quando si acquista un nuovo prodotto simile, ad un rivenditore autorizzato per il riciclaggio di apparecchiature elettriche ed elettroniche (WEEE).

Un uso improprio di questo tipo di rifiuti può avere un impatto negativo sull'ambiente e sulla salute umana a causa di sostanze potenzialmente pericolose che sono generalmente associate alle apparecchiature elettriche ed elettroniche. Allo stesso tempo, la vostra collaborazione per il corretto smaltimento di questo prodotto contribuirà a un utilizzo efficace delle risorse naturali.

Per ulteriori informazioni sui punti di raccolta delle apparecchiature da rottamare, contattate il comune, l'autorità di gestione dei rifiuti, strutture coinvolte nel sistema RAEE o il servizio di smaltimento dei rifiuti domestici.



www.centolight.com



This product is imported in EU by
Questo prodotto viene importato nella UE da

FRENEXPORT SPA - Via Enzo Ferrari, 10 - 62017 Porto Recanati - Italy

Centolight® is a registered trademark of FRENEXPORT SPA - Italy
Centolight® è un marchio di fabbrica registrato di FRENEXPORT SPA - Italia



www.centolight.com