



## ZEPHIRO FOG 3000

3000 Watt Fog Machine with DMX, wired and wireless control

Macchina per Fumo da 3000W con controllo DMX, a filo e Telecomando

User Manual

Manuale Utente

Carefully read this manual and properly take care of it  
Leggete questo manuale e conservatelo per future consultazioni



Dear customer,

First of all thanks for purchasing a Centolight® product. Our mission is to satisfy all possible needs of light designers and professionals of entertainment lighting, by offering a wide range of products based on the latest technologies.

We hope you will be satisfied with this fixture and, if you want to collaborate, we are looking for a feedback from you about product operation and possible improvements to be introduced in the next future. Go to our website [www.centolight.com](http://www.centolight.com) and send an e-mail with your opinion; this will help us to build equipment ever closer to professional's real requirements.

The Centolight Team

---

Gentile Cliente,

Grazie per aver scelto un prodotto Centolight®. La nostra missione è quella di soddisfare ogni possibile richiesta da parte di light designers e professionisti dell'illuminotecnica per l'intrattenimento, offrendo una vasta gamma di apparecchiature basate su tecnologie di ultima generazione.

Speriamo di aver soddisfatto le vostre aspettative e, se voleste collaborare, saremo lieti di ricevere un vostro feedback sulla qualità del prodotto al fine di migliorare costantemente la nostra produzione. Visitate il nostro sito [www.centolight.com](http://www.centolight.com) ed inviateci una mail con la vostra opinione; questo ci aiuterà a sviluppare nuovi prodotti quanto più vicini alle vostre esigenze.

Il Team Centolight

# TABLE OF CONTENTS

<b>1 - Before You Start</b>	<b>4</b>
1.1. What is included- - - - -	4
1.2. Unpacking Instructions - - - - -	4
1.3. Accessories - - - - -	4
1.4. Disclaimer - - - - -	4
<b>2 - Safety Instructions</b>	<b>5</b>
2.1. Symbols Meaning - - - - -	5
2.2. Safety Notes - - - - -	5
<b>3 - Introduction</b>	<b>7</b>
3.1. Features - - - - -	8
3.2. Product Dimensions- - - - -	8
3.3. Rear Panel - - - - -	8
<b>4 - Product Overview</b>	<b>9</b>
4.1. Mains Power & Fuse - - - - -	9
4.2. DMX Connection- - - - -	9
4.3. DMX Terminator - - - - -	10
4.4. 3-Pin vs 5-Pin DMX cables - - - - -	11
<b>5 - Setting Up</b>	<b>11</b>
5.1. Control Mode- - - - -	12
<b>6 - Correct Use and Maintenance</b>	<b>13</b>
6.1. Routine Maintenance And Common Faults - - - - -	14
<b>7 - Specification</b>	<b>15</b>
<b>8 - Warranty And Service</b>	<b>16</b>
<b>9 - Warning</b>	<b>16</b>

## 1 - BEFORE YOU START

Thank you for purchasing our Zephiro Fog 3000. Enjoy your new equipment and make sure to read this manual carefully before operation! This user manual is made to provide both an overview of controls, as well as information on how to use them.

### 1.1. What is included

Package include:

- 1x Smoke Machine
- 1x Power Cord
- 1x Remote Controller
- 1x Wired Controller
- 1x Mounting Bracket with washers and screws
- This User Manual

**⚠ ATTENTION: Packaging bag is not a toy! Keep out of reach of children!!! Keep in a safe place the original packaging material for future use.**

### 1.2. Unpacking Instructions

Carefully unpack the product immediately and check the content to make sure all the parts are in the package and are in good condition. If the box or the contents (the product and included accessories) appear damaged from shipping, or show signs of mishandling, notify the carrier or dealer/seller immediately. In addition, keep the box and contents for inspection.

### 1.3. Accessories

Centolight can supply a wide range of quality accessories that you can use with your ZEPHIRO Series equipment, like Consumables, Cables, Splitters, DMX controllers, and a wide range of other fixtures.

All products in our catalogue has been long tested with this device, so we recommend you to use Genuine Centolight Accessories and Parts. Ask your Centolight dealer or check out our website [www.centolight.com](http://www.centolight.com) for any accessories you could need to ensure best performance of the product.

### 1.4. Disclaimer

The information and specifications contained in this User Manual are subject to change without notice. Centolight assumes no responsibility or liability for any errors or omissions and reserves the right to revise or to create this manual at any time.

Copyright© 2021 Centolight. All rights reserved.

## 2 – SAFETY INSTRUCTIONS

- Read these instructions
- Keep these instructions
- Heed all warning
- Follow all instructions

### 2.1 Symbols Meaning



The symbol is used to indicate that some hazardous live terminals are involved within this apparatus, even under the normal operating conditions, which may be sufficient to constitute the risk of electric shock or death.



The symbol is used to describe important installation or configuration problems. Not following advice and information on how to avoid such problems may lead to product malfunction.



Caution! This symbol indicates high temperature parts! In particular, the nozzle of the Zephiro Fog 3000 can cause burns. Pay attention to high temperatures and avoid touching the nozzle.



This symbol indicates a protective grounding terminal.

#### WARNING:

Describes precautions that should be observed to prevent the danger of injury or death to the operator.



To protect the environment, please try to recycle packing material and exhausted consumables as much as possible.



Warning of Moisture Prevention: it remind the operator to keep the machine and controller dry. Do not use them on rainy and snowy days.



Don't throw this product away just as general trash, please deal with the product follow the abandon electronic product regulation in your country.

### 2.2 Safety Notes

Please read the following Safety Notes carefully before working with the product. They include important safety information about installation, usage, and maintenance.


#### 1) Personal Safety

- Always connect the product to a grounded circuit to avoid the risk of electric shock. During heating up and operation, the housing will get hot: **do not touch**.

- The product is very hot during operation and it remains hot for a long time after operation has stopped. Do not touch the product's nozzle.
- Make sure that children, unauthorized people and animals do not have access to the machine.
- The operation noise is without harm to ear. No need to wear ear protection when close to the working machine.

## 2) Mounting and Rigging

- For safety reasons, it is not recommended to mount the product on suspended structures. Operate the product while it is on the ground only.
- The product is for both indoor and outdoor use but, in order to prevent risk of fire or shock, do not expose the product to rain or moisture

 **CAUTION: When transferring product from extreme temperature environments, (e.g. cold truck to warm humid ballroom) condensation may form on the internal electronics of the product. To avoid causing a failure, allow product to fully acclimate to the surrounding environment before connecting it to power.**

- Do not use in a confined space. Always install the product in a location with adequate ventilation, at least 20 in (50 cm) from adjacent surfaces.
- Be sure that no ventilation slots on the product's housing are blocked.

## 3) Power and Wiring

- Always make sure that the voltage of the outlet to which you are connecting the product is within the range stated in paragraph "7 - Specification" on page 15 or rear panel of the product (AC220V- 50/60Hz).
- Make sure the power cord is not crimped or damaged. Never connect this product to a dimmer pack or rheostat.
- Never disconnect the product from power cord by pulling or tugging on the cord.
- To eliminate unnecessary wear and improve its lifespan, during periods of non-use completely disconnect the product from power via breaker or by unplugging it.
- To avoid electric shock, all fixtures must be connected to circuits with a suitable ground.

## 4) Water / Moisture

- The unit should be protected from moisture and rain, and can not be used near water; for example near a bathtub, a kitchen sink, a swimming pool, etc.

## 5) Heat

- The apparatus should be located away from heat sources such as radiators, stoves or other appliances that produce heat.



**Don not use it when maximum ambient temperature is higher than 50°C Work temperature ranges from -10°C to 50°C (14°F to 122°F).**

## 6) Fuse

- To avoid the risk of fire and damage to the unit, use only the type of fuse described in "7 - Specification" on page 15. Before replacing the fuse, make sure the device is switched off and unplugged.

## 7) DMX connection

- When use DMX controller, please make sure that there is no interference sources (e.g. intercom, high frequency radio waves and radiation source).

## 8) Servicing

- Do not implement any servicing other than those means described in the manual. Refer all servicing to qualified service personnel only. The internal components of the equipment must be purchased from the manufacturer. Only use accessories/attachments or parts recommended by the manufacturer.

# 3 - INTRODUCTION

It is well known how the world of show business and entertainment is based on the fusion of music, images, lights and environmental effects. The sensory involvement of those who enjoy the entertainment event is increasingly present nowadays. Centolight knows very well this need and thanks to the the Zephiro line it offers a wide range of machines for smoke, fog, bubbles, snow and more.

Zephiro Fog 3000 is a powerful and compact fog machine; designed for professional medium-sized on-stage applications and equipped with DMX control, as well as wired and wireless control.

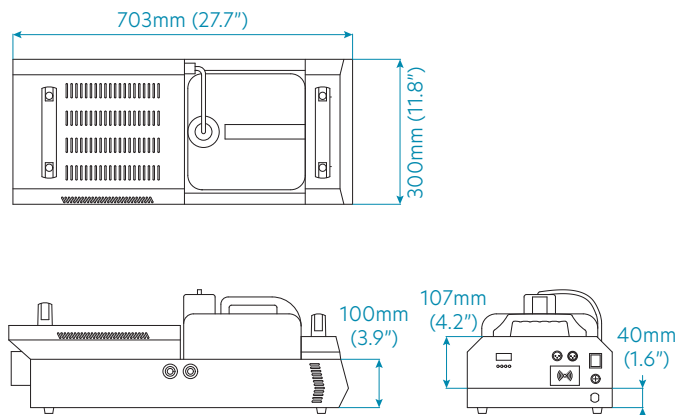
It can generate a persistent and homogeneous fog that greatly enhances visual effects and light beams of any type of fixtures in settings such as theaters, photo and TV studios, film sets, discos, live events, etc.

It has a power output of 3000W and is designed for indoor applications with an output of 710m<sup>3</sup>/minute. Consumption is about 2L/hour (depending on liquid density). The internal tank is 10 liters.

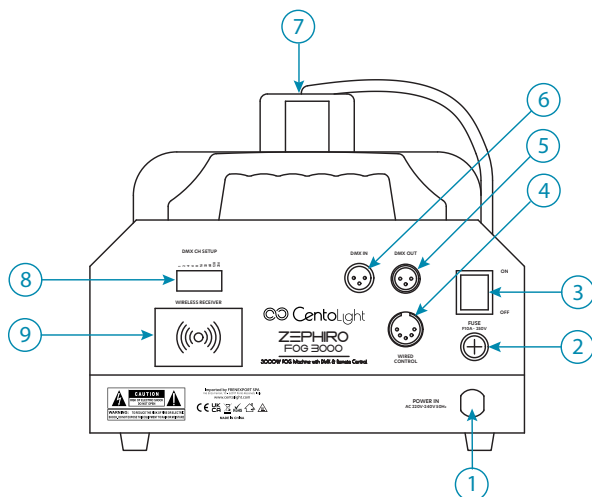
## 3.1. Features

- 710m<sup>3</sup>/Minute smoke output fills up a medium sized room quickly
- Continuous smoke output after a minimal warm-up time
- 10L Tank capacity for about 5-hour use without refilling
- One DMX Channel to control smoke emission
- Wired Controller to manage Timer, Duration and Volume of smoke emission
- Remote controller to start and stop the smoke emission

## 3.2. Product Dimensions



## 3.3. Rear Panel





1. Power inlet (IEC connector)
2. Fuse
3. On/Off Switch
4. Wired control input
5. DMX 3-Pin XLR Output
6. DMX 3-Pin XLR Input
7. Liquid hose and liquid tank cap
8. DMX dip-switch panel
9. Built-in receiver for remote control

## 4 – PRODUCT OVERVIEW


### 4.1 Mains Power & Fuse


**Power Inlet (1)** - In case of loss or replacement of the cable, refer to the following table which shows the correspondence of the internal wires:


Cable (EU)	Pin	International
Brown	Live	L
Blue	Neutral	N
Yellow/Green	Earth	⊕

 **The earth must to be connected! Pay attention to the safety! Before taking into operation for the first time, the installation has to be approved by an expert.**

**Fuse Holder (n.2)** - In case you need to replace the fuse, make sure that the appliance is switched off, disconnect the input power plug, and unscrew the fuse holder cover shown above with a Phillips screwdriver.

 **CAUTION:** Replace the fuse **ONLY** with one of the same type indicated in the section “7 - Specification” on page 15 (T10A/250V - 5x20 mm). A lower value fuse would blow immediately after the first power on; a higher value would not act as a fuse in case of anomalous current absorption or short circuit.

 **WARNING:** Always connect the product to a protected circuit (with circuit breaker). Make sure the machine has an appropriate electrical ground to avoid the risk of electric shock or fire.

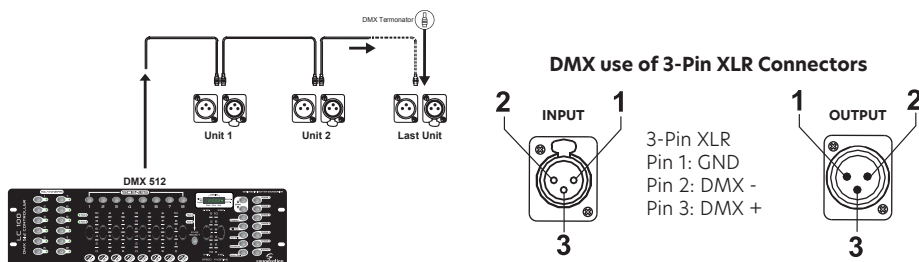
 **WARNING:** Never connect the Zephire Fog 3000 to a rheostat (variable resistor) or dimmer circuit, even if the rheostat or dimmer channel serves only as a 0 to 100 % switch.

### 4.2 DMX Connection

**DMX Output (5)** - Female 3-pin XLR sockets for sending the DMX control signal to another DMX device.

## DMX INPUTS (6) - Male 3-pin XLR sockets for connection to DMX control devices.

DMX machines are designed to receive data through a serial Daisy Chain. A Daisy Chain connection is where the DATA OUT of one fixture connects to the DATA IN of the next fixture. The order in which the machines are connected is not important and has no effect on how a controller communicates to each of them. Use an order that provides for the easiest and most direct cabling.



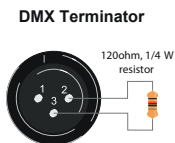
Connect machines using shielded 2-conductor twisted pair cable with 3-pin XLR male to female connectors. The shield connection is pin 1, while pin 2 is Data Negative (S-), and pin 3 is Data positive (S+).

**⚠ CAUTION: Wires must not come into contact with each other; otherwise the fixtures will not work at all, or will not work properly.**

### 4.3. DMX Terminator

DMX is a resilient communication protocol, however errors still occasionally occur. In order to prevent electrical noise from disturbing and corrupting the DMX control signals, a good habit is to connect DMX output of last fixture in the chain to a DMX terminator, especially over long signal cable runs.

The DMX terminator is simply an XLR connector with a 120Ω (ohm), 1/4 Watt resistor connected across Signal (-) and Signal (+), respectively, pins 2 and 3, which is then plugged into the output socket on last projector in the chain. The connections are illustrated below.

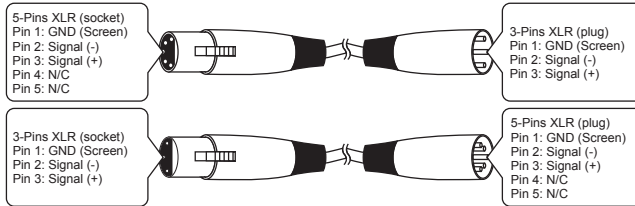


**⚠ Complimentary signal cable can transmits signals to 20 unit fixtures at most. Signal amplifier is a must to connect more fixtures.**

## 4.4. 3-Pin vs 5-Pin DMX cables

DMX connection protocols used by controllers and fixtures manufacturers are not standardized around the world. However, two are the most common standards: 5-Pin XLR and 3-Pin XLR system. If you wish to connect your 5-Pin device to a 3-Pin XLR input fixture, you need to use an adapter-cable or make it by yourself.

Following the wiring correspondence between 3-Pin and 5-Pin plug and socket standards



## 5 - SETTING UP

ZEPHIRO 3000FOG can be hanged up in high places (with clamps or couplers, not included), or placed on the ground.

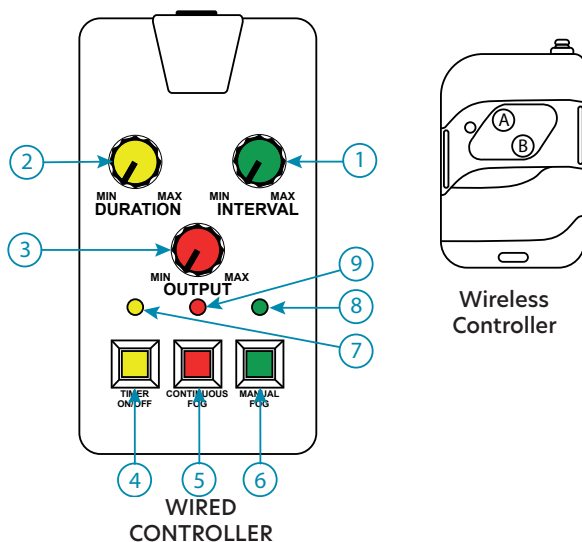
Keep it in horizontal position, do not tilt or flip. Before connecting this unit to mains, fill in the tank with fluid. Always use water-based fog fluid and check that nozzle is clean and unobstructed.

Before connecting to power, check whether mains voltage is suitable for the unit or not.

Power cord should be plugged into a grounded electrical outlet. Once connected, put power switch to "ON", then fog machine start warming up and the built-in indication LED projects a red light on liquid tank. After warm-up process is complete, the built-in indication LED turns blue, then fog machine is ready to use.

Connect the supplied wired controller to the fog machine, or use the supplied wireless control, in order to use the fog machine.

## 5.1 Control Mode



### 1) Wired control

Connect the controller to the machine rear panel through the 5-pin XLR connector.

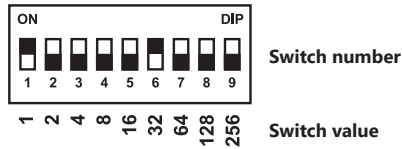
1. Interval selection knob: Adjusts timespan between two timer active steps.
2. Duration selection knob: Determines the duration when timer is active (fog emission).
3. Output intensity knob: Adjusts fog emission from 0% to 100%.
4. Timer function on/off switch.
5. Continuous fog switch: When active, the machine emits fog continuously. Release the button to stop it.
6. Manual fog switch: when pressed, the machine emits fog at the output intensity selected by knob at point 3.
7. Timer function on/off - when pressed, the timer is disabled (yellow Led is off)
8. Manual fog indicator - during emission (button 6 pressed) this Green Led is on.
9. Continuous fog function on/off - when continuous fog button (n. 5) is pressed, this red Led is on.

## 2) Wireless remote control

Once warm-up process is complete, press A or B button to emit fog. By pressing them long time, you can spray fog long time till the unit will warm up again. By releasing buttons, it stops spraying fog.

## 3) DMX512 Control

One DMX Channel is used to control fog emission. This channel is selectable through the **DMX Dip-switch panel**.



Final value is obtained by adding values of all switches in ON position. This way, you are able to make combinations to reach the desired DMX value between 1 and 512. For example, if you wish to set the device to channel 33, you need to select dip-switch 1 and 6 ( $1 + 32 = 33$ ).

## 4) Wireless Remote Battery Replacement

If the remote control cannot work (red LED does not lit and machine does not operates), please check whether battery is low and need to be replaced.

To change the battery, remove the cover on the back of the remote control and replace the old battery with one of the same type (23A - 12V).

**⚠ ATTENTION: Pay attention to respect the polarity. The two ends of the battery have a "+" (positive pole) and a "-" (negative pole) respectively. These marks are also present inside the battery compartment. Make sure the "+" of the battery is towards the "+" indicated in the battery compartment.**

## 6 - CORRECT USE AND MAINTENANCE


This fog machine should be used in dry and well-ventilated place. Please avoid any water or rain fall in the machines, if water and rain fall in, turn off the power immediately. Keep far away from children, fire, explosive and flammable things, and avoid scalding.

**⚠ NOTE: In the first time use, some liquid might spray out. This is normal.**

- When liquid is getting low, please add it again in time. If the fog machine works without fluid for a long time, its pump and other parts could get damaged.

When adding fluid, remember to turn power off, and carefully avoid spilling over to cause short circuits.

- The fog machine should work under professional operator's supervision, please do not add flammable liquids or gas into the fog fluid tank.
- When you don't use the machine for long time or after use, please disconnect power or unplug the power cable. After using, please wipe out the liquid in the tank, as it would avoid the housing to be corroded.
- All fog machines will have condensation or moisture around the Output Deflector.
- All fog machines have heating-cooling cycles. When internal temperature drops to minimum, the pump automatically turns on and begins heating. Once heating is complete, the machine starts to spray fog again.
- In the case of a serious operating problem, stop using the unit immediately. Never try to repair the unit by yourself. Repairs carried out by unskilled people can lead to damage or malfunction. Please contact the nearest authorized technical assistance center. Always use the same type of spare parts.
- Never connect the device to a dimmer pack.
- Make sure the power cable is never crimped or damaged and never disconnect it by pulling or tugging on the cable.

 **WARNING: Fog machines may set off Smoke Alarms.**

## 6.1 Routine Maintenance And Common Faults

 **ATTENTION: Periodically clean your machine to reduce replacement parts and repair expenses.**

- Poor fog liquid can cause blockage. It is recommended to use high quality fog liquid.
- The machine might get blocked due to high concentration fluid, not-pure fluid or overheat, so regular care and maintenance can ensure long-term use. After about 40 hours continue use, please prepare an 80% distilled water and 20% white vinegar blend to remove any accumulated impurities inside boiler and pipe, as following:
  - Wash the pipe in the tank and its filter head.
  - Pour out any liquid inside, and replace with the cleaning liquid (80% distilled water and 20% white vinegar), turn on power, keep it operating till the cleaning liquid runs out.
- If the fog turns less, and the pump makes noise, switch off the unit immediately and check fluid level, fuse, controller interface and power plug. If all of these are normal, please connect power again. If problems still continue, please contact the supplier.

- When you shut down the machine, it is recommended that you remove any remaining fluid inside. Especially when the machine will not be used for a long time. It is recommended that you open the tank, remove the fluid hose and place it next to the tank in open air.
- After use, let the fog machine cool down before transporting it by the handle. Small bits of fog may still be emitted just after the machine is turned off. Let the machine cool down for at least 20 minutes and only transport it when the housing of the machine reaches a temperature that is comfortable enough to handle. Transporting the machine while it is still hot may cause injuries and permanent damage to the internal electronics and heating elements.

## 7 - SPECIFICATION

Heating Element	3000 Watt
Output distance	8-10 meters
Warm-up time	Approximately 4 Minutes
Tank capacity	10 Liters
Fog output	710m <sup>3</sup> /Min
Fuel Consumption	About 2L/hour (depending on liquid density)
Ready-indicator inside tank	Yes (Dual color LED)
Wireless remote controller	433,92 MHz (Max 10 Meters)
Wired remote controller	Timer, Manual smoke, Continuous fog
DMX Control	1-CH
Mounting bracket	Included
Power requirements	220V AC, 50Hz
Internal fuse	10A 250V fast blow 20mm glass
Dimensions	703 x 300 x 250 mm (27.7 x 11.8 x 9.8 in)
Weight	10,6 Kg - 23.4 lbs.
Packing Size	760 x 285 x 375 mm (29.9 x 11.2 x 14.8 in)
Packing Weight	12 kg - 26.4 lbs.

*Note: Our products are subject to a process of continual further development. Therefore modifications to the technical features remain subject to change without further notice.*

## 8 - WARRANTY AND SERVICE

All Centolight products feature a limited two-year warranty. This two-year warranty starts from the date of purchase, as shown on your purchase receipt. The following cases/components are not covered by this warranty:

- Any accessories supplied with the product
- Improper use
- Fault due to wear and tear
- Any modification of the product effected by the user or a third party

Centolight shall satisfy the warranty obligations by remedying any material or manufacturing faults free of charge at Centolight's discretion either by repairing or exchanging individual parts or the entire appliance. Any defective parts removed from a product during the course of a warranty claim shall become the property of Centolight.

While under warranty, defective products may be returned to your local Centolight dealer together with the original proof of purchase. To avoid any damages in transit, please use the original packaging if available. Alternatively, you can send the product to Centolight SERVICE CENTER - Via Enzo Ferrari, 10 - 62017 Porto Recanati - Italy. In order to send a product to service center, you need an RMA number. Shipping charges have to be covered by the owner of the product.

For further information please visit [www.centolight.com](http://www.centolight.com)

## 9 - WARNING

**PLEASE READ CAREFULLY** - EU and EEA (Norway, Iceland and Liechtenstein) only



This symbol indicates that this product is not to be disposed of with your household waste, according to the WEEE Directive (2012/19/UE) and your national law.

■ This product should be handed over to a designated collection point, e.g., on an authorized one-for-one basis when you buy a new similar product or to an authorized collection site for recycling waste electrical and electronic equipment (WEEE).

Improper handling of this type of waste could have a possible negative impact on the environment and human health due to potentially hazardous substances that are generally associated with EEE. At the same time, your cooperation in the correct disposal of this product will contribute to the effective usage of natural resources.

For more information about where you can drop off your waste equipment for recycling, please contact your local city office, waste authority, approved WEEE scheme or your household waste disposal service.



# SOMMARIO

<b>1 - Prima Di Iniziare</b>	<b>18</b>
1.1. Cosa è Incluso	18
1.2. Istruzioni per il Disimballaggio	18
1.3. Accessori	18
1.4. Limiti di Responsabilità	18
<b>2 - Istruzioni di Sicurezza</b>	<b>19</b>
2.1. Significato dei simboli	19
2.2. Note sulla sicurezza	19
<b>3 - Introduzione</b>	<b>21</b>
3.1. Caratteristiche	22
3.2. Panoramica del Prodotto	22
3.3. Dimensioni del Prodotto	22
<b>4 - Panoramica del Prodotto</b>	<b>23</b>
4.1. Cavo di Rete e Fusibile	23
4.2. Connessioni DMX	23
4.3. Terminatore DMX	24
4.4. Cavi DMX 3-Poli/5-Poli	25
<b>5 - Guida all'Uso</b>	<b>25</b>
5.1. Modalità Di Controllo	26
<b>6 - Uso Corretto e Manutenzione</b>	<b>27</b>
6.1. Manutenzione Ordinaria E Guasti Comuni	28
<b>7 - Specifiche Tecniche</b>	<b>29</b>
<b>8 - Garanzia e Assistenza</b>	<b>30</b>
<b>9 - Avviso UE e SEE (Norvegia, Islanda, Liechtenstein)</b>	<b>30</b>

## 1 - PRIMA DI INIZIARE

Grazie per aver acquistato la Zephiro Fog 3000. Prima di iniziare, assicuratevi di leggere attentamente questo manuale; è stato creato per fornire sia una panoramica dei controlli, sia informazioni su come usarli.

### 1.1. Cosa è Incluso

La confezione include:

- 1x Macchina del fumo
- 1x Cavo di alimentazione
- 1x Radiocomando
- 1x Comando a filo
- 1x Staffa di montaggio con rondelle e viti
- Questo Manuale Utente

**⚠ ATTENZIONE:** La confezione non è un giocattolo! Tenere fuori dalla portata dei bambini! Conservare in un luogo sicuro per un uso futuro.

### 1.2. Istruzioni per il Disimballaggio

Tirare fuori dall'imballo il prodotto e controllare il cartone per assicurarsi che tutte le parti siano presenti e in buone condizioni. Se la confezione o il contenuto risultassero danneggiati dalla spedizione o mostrassero segni di maltrattamento, avvisare immediatamente il vettore o il rivenditore e conservare la scatola e il contenuto per una eventuale ispezione.

Se l'apparecchiatura dovesse essere restituita, è importante farlo nell'imballo originale. Si prega di non intraprendere alcuna azione senza prima aver contattato il proprio rivenditore o il nostro servizio di assistenza (visitare [www.centolight.com](http://www.centolight.com)).

### 1.3. Accessori

Centolight fornisce un'ampia gamma di accessori che è possibile usare con le apparecchiature della serie ZEPHIRO; quali materiali di consumo, cavi, splitter, controller DMX e un'ampia gamma di altre apparecchiature. Tutti i prodotti nel catalogo Centolight sono stati testati a lungo con questo dispositivo, quindi ti consigliamo di usare sempre accessori e ricambi originali.

### 1.4. Limiti di Responsabilità

Le informazioni e le specifiche contenute in questo manuale utente sono soggette a modifiche senza preavviso. Centolight non si assume alcuna responsabilità per eventuali errori od omissioni e si riserva il diritto di rivedere o creare questo manuale in qualsiasi momento.

Copyright© 2021 Centolight. Tutti i diritti riservati.

## 2 - ISTRUZIONI DI SICUREZZA

- Leggete queste istruzioni
- Conservate queste istruzioni
- Prestate attenzione a tutti gli avvertimenti
- Seguite tutte le istruzioni

### 2.1 Significato dei simboli



Questo simbolo viene utilizzato per indicare che all'interno di questo apparecchio sono presenti terminali sotto tensione, anche in condizioni operative normali, che possono essere sufficienti a costituire il rischio di scosse elettriche o morte.



Questo simbolo è usato per descrivere importanti problemi di installazione o configurazione. Il mancato rispetto dei consigli e delle informazioni su come evitare tali problemi può portare al malfunzionamento del prodotto.



Attenzione! Questo simbolo indica parti ad alta temperatura! In particolare, l'ugello della Zephiro Fog 3000 può causare scottature. Prestare attenzione alle alte temperature ed evitare di toccare l'ugello.



Questo simbolo indica un terminale di messa a terra.

#### ATTENZIONE

Descrive precauzioni da osservare per prevenire lesioni o morte dell'operatore.



Per proteggere l'ambiente, cercare di riciclare il più possibile il materiale di imballaggio e i materiali di consumo esauriti



Avvertenza per prevenire gli effetti dell'umidità: ricorda all'operatore di mantenere asciutta la macchina e i materiali di consumo. Non utilizzarli in caso di pioggia e neve.



Non gettare questo prodotto come spazzatura generica, conferire il prodotto seguendo le normative sui rifiuti elettronici in vigore nel vostro paese.

### 2.2 Note sulla sicurezza

Leggere attentamente le seguenti note sulla sicurezza prima di usare il prodotto. Sono riportate importanti informazioni su installazione, utilizzo e manutenzione.

#### 1) Sicurezza Personale

- Collegare sempre il prodotto a un circuito con messa a terra per evitare il rischio di scosse. Durante il riscaldamento e il funzionamento, il telaio si surriscalda.

- Il prodotto è molto caldo durante il funzionamento e rimane caldo a lungo dopo lo spegnimento. Non toccare l'ugello del prodotto.
- Assicurarsi che bambini, persone non autorizzate e animali non abbiano accesso alla macchina.
- Il rumore durante il funzionamento non provoca danni all'orecchio. Non è necessario indossare protezioni per le orecchie quando si è vicini alla macchina.

## 2) Montaggio e Appendimento

- Per motivi di sicurezza, si sconsiglia di non montare il prodotto su qualsiasi tipo di supporto o su strutture sospese. Utilizzare il prodotto solo quando è a terra.
- Il prodotto è sia per uso interno che esterno ma, per prevenire il rischio di incendi o scosse, non esporre il prodotto direttamente a pioggia o umidità.

**⚠ ATTENZIONE:** Durante il trasferimento del prodotto da ambienti a temperature estreme (es: da un Camion freddo a una sala da ballo calda e umida) potrebbe formarsi condensa all'interno del prodotto. Per evitare di provocare guasti, consentire al prodotto di acclimatarsi completamente all'ambiente circostante prima di collegarlo all'alimentazione.

- Non utilizzare in uno spazio ristretto. Installare sempre il prodotto in una posizione con ventilazione adeguata, ad almeno 50 cm (20 in) dalle superfici adiacenti.

## 3) Alimentazione e Cablaggio

- Assicurarsi sempre che la tensione della presa alla quale si collega il prodotto sia compresa nell'intervallo indicato nella tabella "7 - Specifiche Tecniche" a pagina 29 o sul pannello posteriore del prodotto.
- Verificare che il cavo di alimentazione non sia piegato o danneggiato. Non collegare mai questo prodotto a un dimmer o a un reostato.
- Non scollegare mai il prodotto dal cavo di alimentazione tirando il cavo.
- Per attenuare l'usura e migliorarne la durata, durante i periodi di non utilizzo scollegare completamente il prodotto dall'alimentazione.
- Per evitare scosse elettriche, tutti gli apparecchi devono essere collegati a circuiti con messa a terra a norma.

## 4) Acqua / Umidità

- L'apparecchio deve essere protetto dall'umidità e dalla pioggia e non può essere utilizzato vicino all'acqua (ad es.: vicino a una vasca, un lavello, ecc.)

## 5) Calore

- L'apparecchio deve essere posizionato lontano da fonti di calore come radiatori, stufe o altri apparecchi che producono calore.



**Non utilizzare quando la temperatura ambiente è superiore a 50°C La temperatura di lavoro va da -10°C a 50°C (da 14°F a 122°F).**

## 6) Fusibile

- Per evitare il rischio di incendi e danni alle apparecchiature, utilizzare solo il tipo di fusibile descritto nella tabella "7 - Specifiche Tecniche" a pagina 29. Prima di sostituire il fusibile, assicurarsi che il dispositivo sia spento e scollegato.

## 7) DMX

- Quando si usa una centralina DMX, assicurarsi che non vi siano sorgenti di interferenza (ad es. Citofoni, onde radio e sorgenti di radiazioni).

## 8) Manutenzione

- Non eseguire interventi di assistenza diversi da quelli descritti nel manuale. Affidare tutte le riparazioni solo a personale qualificato. Utilizzare solo accessori/collegamenti o parti raccomandati da Centolight.

# 3 - INTRODUZIONE

E' noto come il mondo dello spettacolo e dell'intrattenimento si basi sulla fusione tra musica, immagini, luci ed effetti ambientali. Il coinvolgimento sensoriale di chi fruisce l'evento di intrattenimento è sempre più presente al giorno d'oggi. Centolight ha ben chiara questa esigenza ed attraverso la linea Zephiro offre una vasta gamma di macchine per fumo, nebbia, bolle, neve e altro ancora.

Zephiro Fog 3000 è una macchina per fumo potente e compatta; pensata per le applicazioni medio-grandi professionali on stage e dotata controllo DMX, comando a filo e telecomando.

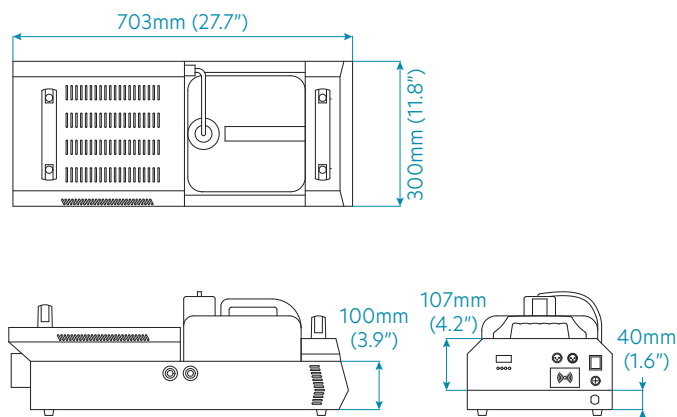
E' in grado di generare un fumo persistente e omogeneo che valorizza al massimo gli effetti visivi e i fasci luminosi di qualsiasi tipo di faro in contesti quali teatri, studi fotografici e televisivi, set cinematografici, discoteche, eventi live, ecc.

Ha una potenza di 3000W ed è pensata per applicazioni al chiuso con una emissione di 710m3/minuto di fumo. Il consumo è di circa 2L/ora (a seconda della densità del fumo). La tanica interna è di 10 litri.

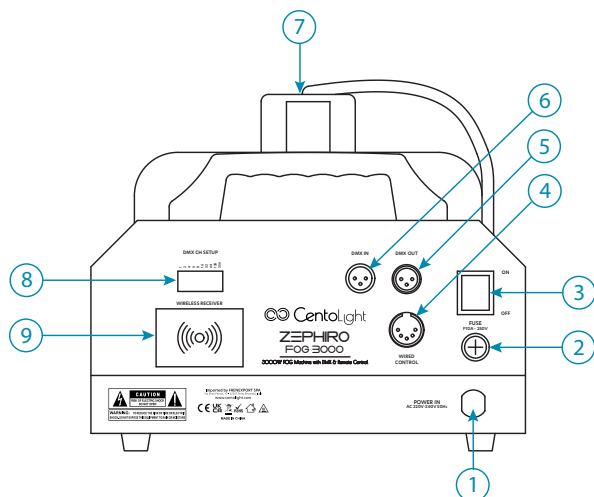
## 3.1. Caratteristiche

- Emissione di 710m<sup>3</sup>/Min., consente una copertura di ambienti medio/grandi
- Emissione continua di fumo dopo un tempo minimo iniziale di riscaldamento
- Capacità del serbatoio da 10 litri per un uso di circa 5 ore senza ricaricare
- Canale DMX per controllare l'emissione di fumo in uscita
- Comando a filo con Timer, la durata e quantità di fumo
- Radiocomando per attivare e disattivare l'emissione

## 3.2. Panoramica del Prodotto



## 3.3. Dimensioni del Prodotto



1. Ingresso di Alimentazione (Connettore IEC)
2. Fusibile
3. Interruttore On/Off
4. Controllo a filo (Connettore 5-poli)
5. Uscita DMX con 3-Pin di tipo XLR
6. Ingresso DMX con 3-Pin di tipo XLR
7. Tubo del liquido e tappo del serbatoio
8. Pannello di selezione del canale DMX
9. Ricevitore per radiocomando

## 4 - PANORAMICA DEL PRODOTTO


### 4.1 Cavo di Rete e Fusibile


**Cavo Power In (n. 1)** - In caso di smarrimento o sostituzione del cavo, fare riferimento alla seguente tabella che mostra la corrispondenza dei fili interni:


Colore Filo (EU)	Piedino	Internazionale
Marrone	Fase	L
Blu	Neutro	N
Giallo/Verde	Terra	⊕

 **La terra deve essere sempre collegata! Prestare attenzione alla sicurezza! Prima di metterla in funzione, l'installazione deve essere approvata da un esperto.**

**Porta-Fusibile (n. 2)** - Nel caso sia necessario sostituire il fusibile, assicurarsi che l'apparecchio sia spento, scollegare la spina di alimentazione in ingresso e svitare il coperchio del porta-fusibile mostrato sopra con un cacciavite a stella.

 **ATTENZIONE:** Sostituire il fusibile **SOLO** con uno dello stesso tipo indicato nella sezione "7 - Specifiche Tecniche" a pagina 29 (T10A / 250V - 5x20 mm). Un fusibile inferiore si brucerebbe alla prima accensione; un valore superiore non proteggerebbe in caso di assorbimento di corrente anomalo o cortocircuito.

 **ATTENZIONE:** collegare sempre il prodotto a un circuito protetto (con interruttore automatico). Assicurarsi che la macchina disponga di una messa a terra adeguata per evitare il rischio di scosse elettriche o incendi.

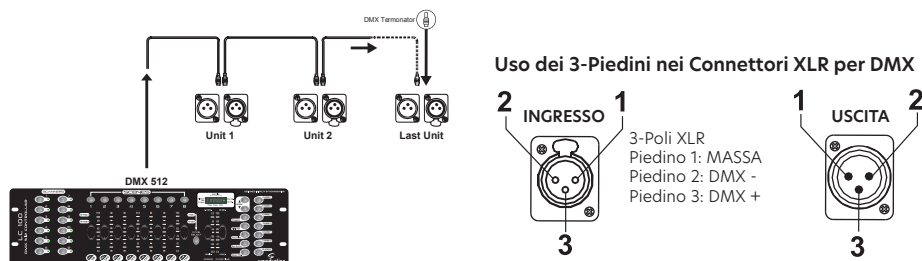
 **ATTENZIONE:** Non collegare mai Zephiro Fog 3000 a un reostato (resistenza variabile) o a un circuito dimmer, anche se il reostato o il canale dimmer serve solo come interruttore da 0-100%.

### 4.2 Connessioni DMX

**Uscita DMX (5)** - Presa XLR femmina a 3-pin per inviare il segnale di controllo DMX a un altro dispositivo DMX.

**Ingresso DMX (6)** - Presa XLR maschio a 3-pin per il collegamento a un dispositivo di controllo DMX.

Gli apparecchi DMX sono progettati per ricevere dati attraverso una catena seriale a cascata. Questo tipo di connessione permette di collegare il DATA OUT di un dispositivo al DATA IN di quello successivo. L'ordine in cui sono collegati non è importante e non ha alcun effetto su come un controllore comunica a ciascuna apparecchiatura. Utilizzare un ordine che preveda il cablaggio più semplice e diretto.



Collegare i dispositivi utilizzando un cavo bipolare schermato a 2 conduttori con connettori XLR maschio-femmina a 3 poli. La connessione dello schermo è il piedino 1, mentre il piedino 2 è negativo (S-) e il piedino 3 è positivo (S+).

**⚠ ATTENZIONE:** 1 fili non devono entrare in contatto l'uno con l'altro; altrimenti i dispositivi non funzioneranno affatto o non funzioneranno correttamente.

### 4.3. Terminatore DMX

DMX è un protocollo di comunicazione resiliente, tuttavia si potrebbero verificare occasionalmente degli errori. I terminatori riducono gli errori di segnale; è quindi consigliabile usarle quando si verificano problemi con comportamenti irregolari degli apparecchi; specialmente se la lunghezza dei cavi DMX è elevata.

Il terminatore DMX è un connettore XLR con un resistore da 120Ω (ohm), 1/4 Watt collegato attraverso il segnale (-) e il segnale (+), rispettivamente, i pin 2 e 3, che viene quindi inserito nella presa di uscita sull'ultimo proiettore nella catena. Le connessioni sono illustrate di seguito.

Terminatore DMX

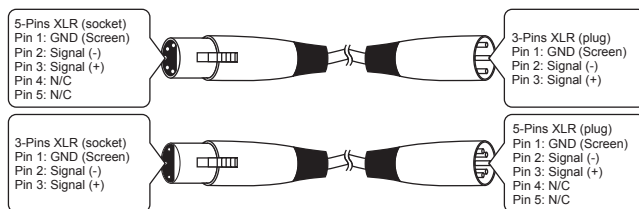


**⚠ Un cavo di segnale DMX standard può trasmettere segnali a 20 unità al massimo. E' necessario un amplificatore di segnale per collegare più apparecchi.**



## 4.4. Cavi DMX 3-Poli/5-Poli

I protocolli di connessione DMX utilizzati dai produttori di centraline, teste mobili e fari non sono standardizzati in tutto il mondo. Tuttavia, due sono gli standard più comuni: XLR a 5 poli e sistema XLR a 3 poli. Se si desidera collegare il vostro apparecchio con XLR a 5 poli è necessario utilizzare un adattatore o farselo da soli seguendo la corrispondenza di cablaggio tra gli standard di spina e presa a 3 e 5 poli



## 5 - GUIDA ALL'USO

ZEPHIRO 3000FOG può essere appesa in alto (con morsetti o giunti, non inclusi), o posizionato a terra.

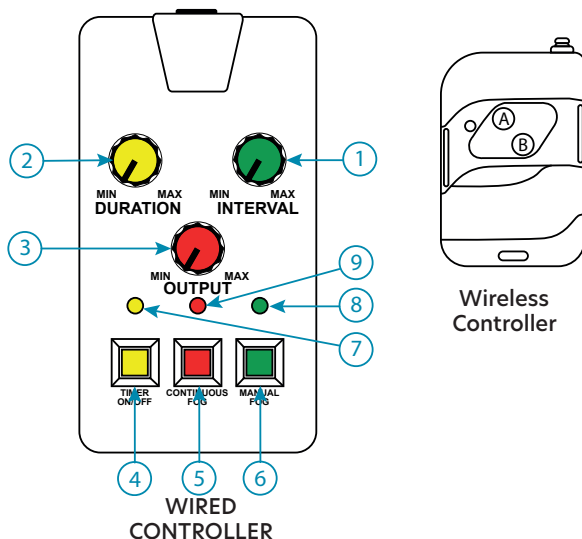
Tenere il dispositivo in posizione orizzontale, non inclinare o capovolgere. Prima di collegare alla rete, riempire il serbatoio con il liquido. Utilizzare sempre un fluido a base di acqua e controllare che l'ugello sia pulito e non ostruito.

Prima di collegare l'alimentazione, verificare se la tensione di rete è adatta all'unità o meno.

Il cavo di alimentazione deve essere collegato a una presa elettrica dotata di messa a terra. Una volta collegato, posizionare l'interruttore di accensione su "ON", quindi avviare la fase di riscaldamento durante la quale il LED di indicazione integrato proietta una luce rossa sul serbatoio del liquido. Una volta completato il processo di riscaldamento, il LED di indicazione incorporato diventa blu, quindi il dispositivo è pronto per l'uso.

Collegare il comando con cavo in dotazione alla macchina del fumo o utilizzare il radiocomando in dotazione per utilizzare l'apparecchio.

## 5.1. Modalità Di Controllo



### 1) Comando A Filo

Collegare il controller al pannello posteriore tramite il connettore XLR a 5 poli.

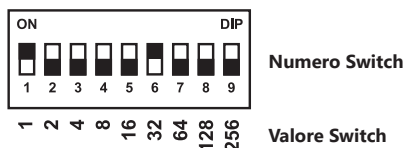
- 1. Regolazione dell'intervallo:** regola l'intervallo di tempo fra una attivazione e l'altra del timer.
- 2. Regolazione della durata:** Determina il tempo di attivazione del timer (emissione di fumo).
- 3. Intensità di uscita:** Regola l'emissione di fumo da 0% a 100%.
- 4. Timer On/Off:** Interruttore on/off della funzione timer.
- 5. Tasto per emissione continua:** quando attivo, la macchina emette continuamente fumo. Rilasciare il tasto per fermare il fumo.
- 6. Manual Fog Button:** Quando viene premuto il dispositivo emette nebbia secondo l'intensità di regolata dalla manopola al punto 3.
- 7. Led Timer on/off** - quando premuto, il timer è disattivato (Led giallo spento).
- 8. Led Emissione Fumo:** durante l'emissione (tasto 6 premuto) questo Led verde è acceso.
- 9. Led Fumo Continuo:** quanto attivo il tasto di emissione continua (5), questo Led rosso è acceso.

## 2) Radiocomando

Una volta pre-riscaldato, premere il pulsante A o B per emettere il fumo. Tenendoli premuti a lungo, è possibile spruzzare il fumo a lungo finché l'unità non necessita nuovamente il riscaldamento. Rilasciando i pulsanti, l'emissione di fumo termina.

## 3) 3) CONTROLLO DMX512

Un canale DMX viene utilizzato per controllare le emissioni di nebbia. Questo canale è selezionabile tramite il pannello Dip-switch DMX



Il valore finale si ottiene sommando i valori di tutti gli interruttori in posizione ON. In questo modo, è possibile creare combinazioni per raggiungere il valore DMX desiderato compreso tra 1 e 512. Ad esempio, se si desidera impostare il dispositivo sul canale 33, è necessario selezionare i dip-switch 1 e 6 ( $1 + 32 = 33$ )

## 4) Sostituzione della Batteria

Se il telecomando non funziona (il LED non si accende e la macchina non emette fumo premendo i tasti A o B), controllare che la batteria non sia scarica e deve essere sostituita. Per cambiare la batteria, rimuovere il coperchio sul retro del telecomando e sostituire la vecchia batteria con una dello stesso tipo (23A - 12V).

**⚠ AVVISIO: Prestare attenzione a rispettare la polarità. Le due estremità della batteria hanno rispettivamente un polo negativo "+" (polo positivo) e un polo negativo "-". Questi segni sono presenti anche all'interno del vano batteria. Assicurarsi che il "+" della batteria sia verso il "+" indicato nel vano batteria.**

## 6 - USO CORRETTO E MANUTENZIONE

Questa macchina fumo deve essere usata in luogo asciutto e ben ventilato. Si prega di evitare qualsiasi infiltrazione di acqua o pioggia all'interno. Se ciò avviene, spegnere immediatamente. Tenere lontano dalla portata di bambini, fuoco, materiale esplosivo o infiammabile.

**⚠ Al primo utilizzo, potrebbe fuoriuscire del liquido. E' normale.**

- Quando il liquido sta finendo, si prega di effettuare il rabbocco al più presto. Se la macchina funziona a lungo senza fluido, la pompa e altre parti potrebbero danneggiarsi. Quando si aggiunge il fluido, spegnere l'alimentazione e fare attenzione a non versare il liquido fuori dalla tanica per evitare cortocircuiti.

- La macchina del fumo deve funzionare sotto la supervisione di un operatore esperto; non aggiungere liquidi infiammabili, gas o profumi nel serbatoio del liquido per nebbia.
- Quando non si utilizza l'apparecchio per un lungo periodo di tempo o dopo l'uso, scollegare l'alimentazione o scollegare il cavo di alimentazione.
- Dopo l'uso, pulire il liquido nel serbatoio, così da evitare la corrosione l'alloggiamento.
- Tutte le macchine per il fumo hanno condensa o umidità intorno all'ugello, e tutte emettono costantemente una piccola quantità di fumo durante o dopo l'uso.
- Tutte le macchine per il fumo hanno cicli di riscaldamento e raffreddamento. Quando la temperatura interna scende al minimo, la pompa si accende automaticamente e inizia a riscaldarsi. Al termine del riscaldamento, la macchina inizia a spruzzare nuovamente il fumo.

 **Le macchine fumo possono attivare i sensori di fumo degli allarmi antincendio.**

## 6.1. Manutenzione Ordinaria E Guasti Comuni

 **Pulire periodicamente la macchina per eventuali costi per riparazioni e parti di ricambio.**

- Un liquido qualitativamente scarso può causare il blocco del dispositivo. Si consiglia di utilizzare un liquido per fumo di alta qualità.
- La macchina potrebbe bloccarsi a causa di fluido ad alta concentrazione, di fluido non puro o di surriscaldamento, pertanto una cura e una manutenzione regolare possono garantire il funzionamento più a lungo. Dopo circa 40 ore di uso, si suggerisce di preparare un 80% di acqua distillata e il 20% di miscela di aceto bianco per rimuovere eventuali impurità accumulate all'interno della caldaia e del tubo. Quindi effettuare le seguenti operazioni:
- Lavare il tubo nel serbatoio e la testa del filtro.
- Eliminare tutti i liquidi all'interno e sostituirli con il liquido detergente (80% di acqua distillata e 20% di aceto bianco), accendere l'alimentazione, mantenerla in funzione fino a quando il liquido di pulizia non si esaurisce.
- Se l'emissione di fumo diminuisce e la pompa fa rumore, spegnere immediatamente l'unità e controllare il livello del fluido, il fusibile, l'interfaccia del controllo a filo e la spina di alimentazione. Se tutti questi sono normali, collegare nuovamente l'alimentazione. Se i problemi persistono, contattare il fornitore.
- Quando si spegne la macchina, si consiglia di rimuovere il liquido rimanente all'interno soprattutto quando la macchina non verrà utilizzata per un lungo periodo. Si suggerisce di aprire il serbatoio, rimuovere il flessibile del fluido e posizionarlo vicino al serbatoio all'aria aperta.
- Dopo l'uso, lasciare raffreddare la macchina prima di trasportarla utilizzando la maniglia. Piccoli spruzzi di nebbia possono ancora essere emessi subito dopo lo

spegnimento della dispositivo. Lasciare che questo si raffreddi per almeno 20 minuti e trasportarlo solo quando l'alloggiamento raggiunge una temperatura sufficientemente confortevole da poter essere maneggiato. Il trasporto della macchina quando è ancora calda può causare lesioni e danni permanenti all'elettronica interna e alle resistenze.

## 7 - SPECIFICHE TECNICHE

Sistema di riscaldamento	3000 Watt
Distanza di uscita	8-10 metri
Tempo di riscaldamento	Circa 4 Minuti
Capacità del serbatoio	10 Litri
Emissione fumo	710m <sup>3</sup> /Min
Consumo Liquido Fumo	2L/ora (a seconda della densità del liquido usato)
Indicatore di Macchina pronta	SI (LED a due colori)
Radiocomando	433,92 MHz (Max 10 Metri)
Controllo remoto a filo	Timer, Emissione Manuale, Emissione Continua
Controllo DMX	1-CH
Staffa di montaggio	Inclusa
Alimentazione	220V AC, 50Hz
Fusibile	10A - 250V 20mm rapido
Dimensioni	703 x 300 x 250 mm (27.7 x 11.8 x 9.8 in)
Peso	10,6 Kg - 23.4 lbs.
Dimensioni Imballo	760 x 285 x 375 mm (29.9 x 11.2 x 14.8 in)
Peso Imballo	12 kg - 26.4 lbs.

*Nota: i nostri prodotti sono soggetti a un processo di sviluppo continuo. Pertanto le modifiche alle caratteristiche tecniche restano soggette a modifiche senza preavviso.*

## 8 - GARANZIA E ASSISTENZA

Tutti i prodotti Centolight sono coperti da garanzia di due anni. Essa è valida dalla data di acquisto, come indicato dal documento di acquisto. I seguenti casi/componenti non sono coperti dalla garanzia di cui sopra:

- Tutti gli accessori forniti con il prodotto
- Uso improprio
- Guasto dovuto all'usura
- Ogni modifica del prodotto effettuata dall'utente o da terzi

Centolight soddisfa gli obblighi di garanzia dovuti a eventuali materiali non conformi o difetti di fabbricazione, rimediando gratuitamente e a discrezione di Centolight, sia mediante riparazione o sostituendo singole parti o l'intero apparecchio. Eventuali parti difettose rimosse da un prodotto durante il corso di una richiesta di garanzia diventano di proprietà di Centolight.

Durante il periodo di garanzia, i prodotti difettosi possono essere restituiti al rivenditore Centolight con prova di acquisto originale. Per evitare danni durante il trasporto, si prega di utilizzare l'imballo originale (se disponibile). In alternativa, inviare il prodotto a SERVICE CENTER Centolight - Via Enzo Ferrari, 10 - 62017 Porto Recanati - Italia. Per inviare un prodotto al centro di assistenza è necessario un numero di RMA. Le spese di trasporto devono essere coperte dal proprietario del prodotto.

Per ulteriori informazioni visitate il sito [www.centolight.com](http://www.centolight.com)

## 9 - AVVISO UE E SEE (NORVEGIA, ISLANDA, LIECHTENSTEIN)

**LEGGETE ATTENTAMENTE** - Questo simbolo indica che il prodotto non deve essere smaltito con i rifiuti domestici, in base alla direttiva RAEE (2202/96/CE) e legislazione nazionale.



Il prodotto deve essere consegnato a un centro di raccolta differenziata o, in caso di ritiro dell'usato quando si acquista un nuovo prodotto simile, ad un rivenditore autorizzato per il riciclaggio di apparecchiature elettriche ed elettroniche (WEEE).

Un uso improprio di questo tipo di rifiuti può avere un impatto negativo sull'ambiente e sulla salute umana a causa di sostanze potenzialmente pericolose che sono generalmente associate alle apparecchiature elettriche ed elettroniche. Allo stesso tempo, la vostra collaborazione per il corretto smaltimento di questo prodotto contribuirà a un utilizzo efficace delle risorse naturali.

Per ulteriori informazioni sui punti di raccolta delle apparecchiature da rottamare, contattate il comune, l'autorità di gestione dei rifiuti, strutture coinvolte nel sistema RAEE o il servizio di smaltimento dei rifiuti domestici.



[www.centolight.com](http://www.centolight.com)



---

This product is imported in EU by  
Questo prodotto viene importato nella UE da

**FRENEXPORT SPA - Via Enzo Ferrari, 10 - 62017 Porto Recanati - Italy**

Centolight® is a registered trademark of FRENEXPORT SPA - Italy  
Centolight® è un marchio di fabbrica registrato di FRENEXPORT SPA - Italia



[www.centolight.com](http://www.centolight.com)