

## ESTRO BASS Series

Bass-reflex Passive Subwoofer  
Subwoofer Passivo Bass-Reflex

en-ita

User Manual  
Manuale d'uso



Please read this manual carefully and keep it for future reference  
Leggete questo manuale e conservatelo per future consultazioni



Gentile Cliente,

Prima di tutto, grazie per aver acquistato un prodotto HELVIA®. La nostra missione è di offrire soluzioni basate sulle tecnologie più aggiornate a tutte le esigenze di integrazione di sistemi nei settori privati, commerciali e corporate.

Speriamo che siate soddisfatti da questo prodotto e, qualora vogliate partecipare, saremmo molto lieti di poter ricevere il vostro feedback sul funzionamento del prodotto e su possibili miglioramenti da apportare in futuro. Potete andare sulla sezione CONTATTACI del sito [www.helviasystems.com](http://www.helviasystems.com) e inviare una e-mail con la vostra opinione; questo ci aiuterebbe a realizzare apparecchiature sempre più vicine alle reali esigenze dei Clienti.

Vi preghiamo, infine, di leggere attentamente questo manuale di istruzioni prima di utilizzare il prodotto; un uso incorretto potrebbe causare danni a voi e al prodotto stesso: pensateci!

Il team HELVIA

Dear value Customer,

First, thank you for purchasing a HELVIA® product. Our mission is to offer solutions based on the most up-to-date technologies for all systems integration needs in the private, commercial and corporate sectors.

We hope you are satisfied with this product and, if you wish to participate, we would be very pleased to receive your feedback on the operation of this product and possible improvements for the future. You can go to "CONTACT" section of [www.helviasystems.com](http://www.helviasystems.com) and send an e-mail with your opinion; this would help us make equipment that are closer to the real needs of our customers.

Finally, please read this user manual carefully before using the product; incorrect use could cause damages to you and the product. Take care!

The HELVIA team




# TABLE OF CONTENTS

<b>1. SAFETY WORDS AND SYMBOL MEANING.....</b>	<b>4</b>
<b>2. IMPORTANT SAFETY INSTRUCTIONS.....</b>	<b>4</b>
2.1. Intended Operation.....	5
2.2. Safety Warnings.....	5
2.3. Maintenance.....	7
2.4. Unpacking.....	7
<b>3. PRODUCT OVERVIEW.....</b>	<b>8</b>
3.1. Features:.....	8
<b>4. PRODUCT APPEARANCE.....</b>	<b>9</b>
4.1. Product Size.....	9
4.2. Rear Panel.....	9
<b>5. CHOOSING THE AMPLIFIER.....</b>	<b>10</b>
<b>6. INSTALLING WHEELS ON 15P / 18P MODELS.....</b>	<b>10</b>
<b>7. TECHNICAL PARAMETERS.....</b>	<b>11</b>
7.1. Specifications.....	11
<b>8. WARRANTY AND SERVICE.....</b>	<b>12</b>
<b>9. PROTECTING THE ENVIRONMENT.....</b>	<b>13</b>
<b>10. WEEE DIRECTIVE.....</b>	<b>13</b>

# 1. SAFETY WORDS AND SYMBOL MEANING



Safety Word	Meaning
<b>DANGER</b>	Indicates an immediate hazard with a high risk of serious injury or death if not avoided.
<b>WARNING</b>	Indicates a potentially hazardous situation that could result in injury or death if precautions are not taken.
<b>CAUTION</b>	Points out hazards that could cause minor to moderate injury or potential equipment damage.
<b>NOTICE</b>	Provides important information not related to physical injury but crucial for safe and correct usage of the product, as well as to prevent possible environmental damage.

Safety Symbol	Meaning
	General Warning - Caution is necessary to prevent risk of physical harm or death.
	Electrical Hazard - General electrical hazards due to power mismatch or improper wiring.
	Fire Hazard - General risk of fire due to overheating or improper use.

# 2. IMPORTANT SAFETY INSTRUCTIONS

- Read these instructions
- Keep these instructions
- Heed all warning
- Follow all instructions

## 2.1. Intended Operation

This device is intended solely for low-frequency audio signal reproduction in live sound applications, and should only be used as specified in this manual. It is ideal for fixed installations, public events, and professional audio setups. Operating the subwoofer in a manner that deviates from these guidelines is considered improper use and voids the warranty. Such use may lead to personal injury, equipment malfunction, or damage to property. The manufacturer assumes no responsibility or liability for consequences arising from improper or unauthorized use. Do not expose the device to extreme conditions or environments that may affect its performance. Users must have a basic understanding and possess the necessary skills to operate electronic devices. Individuals unfamiliar with such devices should only operate it under supervision of a qualified person. Regularly inspect the device for any signs of damage or wear. Do not attempt repairs unless specifically instructed to do so in this manual. For any issues beyond basic maintenance, contact an authorized service center.

## 2.2. Safety Warnings

### ***Potential harm and choking risk for children***

This product contains small parts and packaging materials that may pose a choking hazard for children and babies. Ensure that all components and packaging materials are kept out of reach of children to prevent accidental ingestion or choking. Store the product and packaging materials in a secure location, away from children and babies, especially when not in use. Always supervise children when this product is in use. Never allow unsupervised access to the product or its parts.

### ***Electrical hazards***

- To ensure optimal performance and prevent electrical damage to both the amplifier and subwoofer, always match the amplifier's impedance and power output with the subwoofer's specifications. If an amplifier operates at a lower impedance than designed, it may draw excessive current, leading to overheating or electrical failure. Overpowering a subwoofer can damage its voice coil or wiring, potentially causing short circuits or thermal breakdown.
- Improper wiring or exposed speaker cables in a passive subwoofer setup can cause short circuits, leading to amplifier damage. If speaker wires touch each other or any metal surface, it can create a short circuit, causing damage to both the subwoofer and amplifier.

### **Fire hazards**

- While passive subwoofers don't generate significant heat, it's still important to ensure they are placed in an area with adequate airflow. The external amplifier, if improperly matched or overloaded, may overheat, and proper ventilation can help prevent potential fire risks. Avoid placing the subwoofer in a confined space without airflow to ensure optimal performance and avoid risks.
- The apparatus should be located away from naked flames and heat sources such as radiators, stoves or other appliances that produce heat, as well as combustible objects such as curtains, leaves or paper.

### **Hearing damage risk**

This device can produce sound levels that may cause temporary or permanent hearing loss if used at high volumes. Prolonged exposure to high sound levels can lead to irreversible hearing damage. Always operate the device at safe volume levels, and avoid sudden increases in volume. Use hearing protection, such as earplugs, in high-volume environments, and ensure compliance with local noise regulations. Protecting your hearing is essential for long-term health and safety.

### **Risk of harm due to improper installation**

Always place the subwoofer on a stable, level surface to prevent tipping or accidental falls. If the subwoofer is equipped with wheels, ensure they are locked securely to prevent unintended movements. Additionally, avoid placing the subwoofer on sloped or uneven surfaces where it may roll. Ensure the device is securely positioned and does not pose any hazards during operation. Taking these precautions helps prevent injuries and equipment damage.

### **Damage related to operation in unsuitable ambient conditions**

Operating the device in unsuitable ambient conditions can lead to performance issues or damage. Avoid operating in excessively hot or cold environments, as extreme temperatures can affect the subwoofer's performance. Do not place the subwoofer under direct sunlight, or in areas with heavy dirt, dust, or strong vibrations. Dust buildup can degrade performance, while strong vibrations can damage internal components, leading to malfunctioning or audio distortion.

### **Moisture and liquid exposure**

Do not expose the subwoofer to rain, moisture, or any other liquids, as this can cause damage to the device and affect its performance. Additionally, avoid placing objects containing liquids, such as drinks or vases, near or on top of the subwoofer to prevent accidental spills. Keeping the subwoofer in a dry environment is essential for maintaining its longevity and optimal performance.

### **Risk of staining**

The rubber feet on the device may react with certain surfaces over time, leading to potential staining or discoloration. To prevent this, avoid placing the subwoofer on sensitive or porous surfaces, like wood, stone or unsealed materials. Use protective mats or covers underneath the device if necessary to prevent damage to surfaces and preserve the appearance of both the subwoofer and its surroundings.

## 2.3. Maintenance

Regular maintenance and servicing are essential to keep the device in optimal working condition. Clean the subwoofer regularly only with a dry cloth. Do not use any solvents such as benzol or alcohol. Check speaker cables for wear and always disconnect them from their socket before cleaning.

Do not implement any servicing other than those means described in the manual. Refer all servicing to qualified service personnel only. Only use accessories-attachments or parts recommended by the manufacturer.


## 2.4. Unpacking

Thank you for purchasing your ESTRO Bass Series passive subwoofer. All units have been rigorously tested before leaving the factory. Carefully unpack the carton and check the contents to ensure that all parts are present and in good conditions:

- 1x ESTRO Bass Subwoofer
- This User manual

If anything damaged during transport, notify the shipper immediately and keep packing material for inspection. Again, please save its carton and all packing materials. If the unit must be returned to the manufacturer, it is important that the unit is returned in the original manufacturer's packing. Please do not take any action without first contacting us.

Our products are subject to a continuous process of further development. Therefore modifications to the technical features remain subject to change without further notice.

 **WARNING: Packaging bag is not a toy! Keep out of reach of children! Keep in a safe place the original packaging material for future use.**

## 3. PRODUCT OVERVIEW

ESTRO Bass Series passive bass-reflex subwoofers are part of a wider range of HEL-VIA product line. It offers 3 models: 12P, 15P, 18P. These subwoofers are compact, lightweight and very easy to use. They are ideal for both fixed installations and for live music events or general PA.

The ESTRO Bass 12P delivers a maximum sound pressure of 124dB with a program power of 1000W and a custom 12' professional woofer, while the ESTRO Bass 15P and 18P have maximum sound pressures of 127db and 130dB, program power of 1200W and 1600W, and custom 15' and 18' professional woofers respectively. These models have a sturdy, lightweight and stylish plywood housing with metal grille and acoustic foam to protect the transducers inside and give an attractive appearance. They also have 4 recessed handles (2 on each side) and a standard M20 mounting hole to allow any type of installation with Soundsation SUBST100-BK or SUBST100-M20 poles.

Finally, the 15P and 18P models only, are arranged to mount 4x 100mm wheels on the back for easy transportation and storage.

### 3.1. Features:

- Sturdy housing in plywood with front bass-reflex
- Anti-scratch powder coating
- 12" custom woofer with 3" voice coil (ESTRO Bass 12P)
- 15" custom woofer with 4" voice coil (ESTRO Bass 15P)
- 18" custom woofer with 4" voice coil (ESTRO Bass 18P)
- Power ESTRO Bass 12P: 500W RMS - 8ohm (1000W Program / 2000W Peak)
- Power ESTRO Bass 15P: 600W RMS - 8ohm (1200W Program / 2400W Peak)
- Power ESTRO Bass 18P: 800W RMS - 8ohm (1600W Program / 3200W Peak)
- Connection: Speakon Input and Output (+1 Positive, -1 Negative)
- Recessed handles (1 per side)
- Pole mounting with M20 thread
- Ready for 100mm wheels (ESTRO Bass 15P / 18P only)



## 4. PRODUCT APPEARANCE

### 4.1. Product Size

ESTRO BASS 12P

W	D	H
420	475	500

ESTRO BASS 15P

W	D	H
460	565	610

ESTRO BASS 18P

W	D	H
540	630	670

Unit: mm

### 4.2. Rear Panel



### **1. 2-Poles Speaker Input connector (1+ = Positive / 1- = Negative)**

This connector allows the subwoofer to receive amplified audio signals from an external amplifier.

### **2. 2-Poles Speaker Output Connector (1+ = Positive / 1- = Negative)**

This connector allows the same amplified signal received by the subwoofer to be routed to a full-range speaker in parallel, which reduces the overall impedance. This must be considered to avoid dropping below the amplifier's minimum impedance rating, as doing so could cause damage or performance issues.

## **5. CHOOSING THE AMPLIFIER**

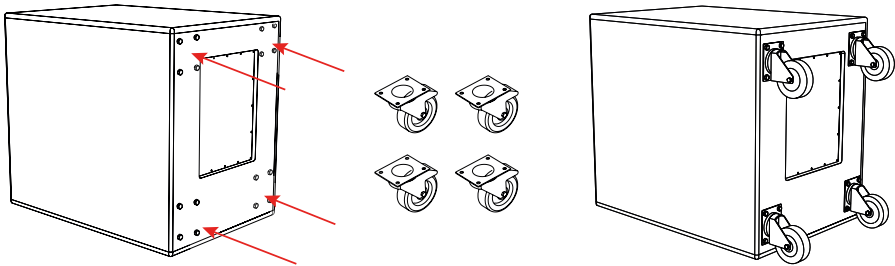
Most speaker damages are caused by amplifiers with too little power (wattage). Overdriven amplifiers clip output waveforms and send distortion to the subwoofers. Clipping is usually audible; it may vary from a harsh sound to a fuzzy or unclear sound. If you hear this condition at loud volume levels, turn down the amplifier volume until the distortion is no longer present. Operating the subwoofer under these conditions can cause permanent damage to the speaker components. Damage resulting from excessive distortion or improper amplifier use is not covered by warranty.

HELVIA can provide the best suited amplifier for your configuration, just click on the following link for more details:

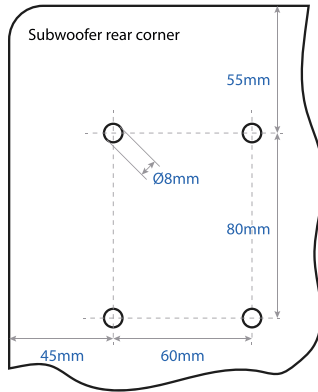
<https://www.helviasystems.com/en/products/amplifiers-c446>

## **6. INSTALLING WHEELS ON 15P / 18P MODELS**

To facilitate the transport of 15" and 18" subwoofers, we predisposed 16 M8 holes on the rear side for four wheels.



All mounting holes are equipped with M8 drive-in nuts. We recommend using M8 x 30mm (minimum) screws with a hexagonal head and washer for secure attachment. For improved stability, it is advisable to install two of the wheels with brakes, one positioned on the top left and the other on the bottom right.



## 7. TECHNICAL PARAMETERS

### 7.1. Specifications

Model	ESTRO BASS 12P	ESTRO BASS 15P	ESTRO BASS 18P
Speaker Type	Bass-Reflex Passive Subwoofer		
Frequency Response [-3dB]	50-600Hz	45-600Hz	40-600Hz
Frequency Response [-10dB]	40-1 kHz	35-1 kHz	35-1 kHz
Sensibility (1W@1m)	94dB	96dB	98dB
Max SPL (Peak)	124	127	130
RMS Power	500W	600W	800W
Program Power	1000W	1200W	1600W
Peak Power	2000W	2400W	3200W
Impedance	8ohm		
LF Diameter	12"	15"	18"
LF Voice coil	3"	4"	4"
Input	1x 2-poles Speakon connector		
Output	1x 2-poles Speakon connector		
Housing Material	Plywood		
Grille material and thickness	Steel/1.5mm		
Handles	Recessed (1xside)		Recessed (2xside)
Pole Mount	M-20 Thread		
Wheel Mount Ready	/	4 wheels on rear	

Subwoofer Dimensions (WxDxH)	420 x 475 x 500mm (16.53 x 18.70 x 19.68 in)	460 x 565 x 610mm (18.11 x 22.24 x 24.01 in)	540 x 630 x 670mm (21.25 x 24.80 x 26.37 in)
Net Weight	23.5 kg (51.8 lbs.)	32.5 kg (71.65 lbs.)	39.5 kg (87.08 lbs.)
Carton Dimensions (WxDxH)	510 x 555 x 610mm (20.07 x 21.85 x 24.01 in)	545 x 640 x 720mm (21.45 x 25.19 x 28.34 in)	625 x 765 x 695mm (24.60 x 30.11 x 27.36 in)
Gross Weight	27.2 kg (59.97 lbs.)	37.6 kg (82.90 lbs.)	45 kg (99.20 lbs.)

*Our products are subject to change. Modifications to technical features remain subject to change without notice.*

## 8. WARRANTY AND SERVICE

All HELVIA® products are covered by warranty according to European regulations (2 years in the case of purchase by private person - B2C; 1 year in the case of purchase by company - B2B). The warranty is valid from the date of purchase by the end user (private individual or company), indicated in the purchase document (receipt in the case of private person; invoice in the case of company). The following cases / components are not covered by the above warranty:

- All accessories supplied with the product;
- Improper use;
- Failure due to wear and tear;
- Any unauthorized modification of the product by the user or third parties.

HELVIA must meet the warranty obligations due to any non-compliant materials or manufacturing defects, by remedying free of charge at HELVIA's discretion by either repairing or replacing specific parts or the entire equipment. Any defective parts removed by a product in the event of a warranty claim become property of HELVIA.

During the warranty period, defective products can be returned to HELVIA retailer or installer with proof of original purchase (receipt or invoice). To avoid damage during transport, please use the original packaging, if available. For more information, visit the website [www.helviasystems.com](http://www.helviasystems.com).

## 9. PROTECTING THE ENVIRONMENT

### *Eco-friendly Packaging*



We have utilized environmentally friendly materials for packaging this product. Most of the packaging materials, including cardboard, paper, and certain plastics, can be recycled. Please help us reduce environmental impact by disposing of these materials responsibly. Please ensure these materials are placed in designated recycling containers according to your local recycling program. Check local regulations to ensure compliance.



See regulations about waste management and material recycling in France.

## 10. WEEE DIRECTIVE

READ CAREFULLY - only for EU and EEA (Norway, Iceland and Liechtenstein).



This symbol indicates that the product must not be disposed of with household waste, according to the WEEE directive (2002/96/EC and subsequent amendments) and national legislation.

The product must be delivered to a designated waste collection center (e.g. on an authorized one-for-one basis when you buy a new similar product, or to an authorized collection site for recycling waste electrical and electronic equipment).

Improper handling of this type of waste can have a negative impact on the environment and human health due to potentially dangerous substances that are generally associated with electrical and electronic equipment. At the same time, your cooperation in the proper disposal of this product will contribute to the effective use of natural resources. For more information about where you can drop off your waste equipment for recycling, please contact your local city office, waste authority, approved WEEE scheme or your household waste disposal service.






## SOMMARIO

<b>1. TERMINI DI SICUREZZA E SIGNIFICATO DEI SIMBOLI</b> .....	<b>16</b>
<b>2. IMPORTANTI ISTRUZIONI DI SICUREZZA</b> .....	<b>16</b>
2.1. <b>Usò Previsto</b> .....	<b>17</b>
2.2. Avvertenze per la sicurezza.....	17
2.3. Manutenzione.....	19
2.4. Contenuto della Confezione.....	19
<b>3. DESCRIZIONE GENERALE</b> .....	<b>20</b>
3.1. Caratteristiche:.....	20
<b>4. ASPETTO DEL PRODOTTO</b> .....	<b>21</b>
4.1. Dimensioni.....	21
4.2. Pannello Posteriore .....	21
<b>5. SCELTA DELL'AMPLIFICATORE</b> .....	<b>22</b>
<b>6. INSTALLAZIONE RUOTE SUI MODELLI 15P E 18P</b> .....	<b>22</b>
<b>7. PARAMETRI TECNICI</b> .....	<b>23</b>
7.1. Specifiche.....	23
<b>8. GARANZIA E ASSISTENZA</b> .....	<b>24</b>
<b>9. PROTEGGERE L'AMBIENTE</b> .....	<b>25</b>
<b>10. DIRETTIVA RAEE</b> .....	<b>25</b>

## 1. TERMINI DI SICUREZZA E SIGNIFICATO DEI SIMBOLI



Termine	Significato
<b>PERICOLO</b>	Indica un pericolo immediato con un elevato rischio di lesioni gravi o morte se non viene evitato.
<b>ATTENZIONE</b>	Indica una situazione potenzialmente pericolosa che potrebbe causare lesioni o morte se non si prendono le dovute precauzioni.
<b>AVVERTENZA</b>	Segnala i pericoli che potrebbero causare lesioni da lievi a moderate o potenziali danni alle apparecchiature.
<b>NOTA</b>	Fornisce informazioni importanti che non sono legate a lesioni fisiche, ma che sono fondamentali per un uso sicuro e corretto del prodotto, e per prevenire potenziali danni ambientali.

Termine	Significato
	Avvertenza Generale - La prudenza è necessaria per prevenire il rischio di danni fisici o morte.
	Pericolo Elettrico - Rischio di scosse elettriche a causa di componenti ad alta tensione.
	Pericolo di Incendio - Rischio generale di incendio dovuto a surriscaldamento o uso improprio.

## 2. IMPORTANTI ISTRUZIONI DI SICUREZZA

- Leggete queste istruzioni
- Conservate queste istruzioni
- Rispettate tutte le avvertenze
- Seguite tutte le istruzioni



## 2.1. Uso Previsto

Questo dispositivo è destinato esclusivamente alla riproduzione di segnali audio a bassa frequenza in applicazioni sonore dal vivo e deve essere utilizzato esclusivamente come specificato nel presente manuale. È ideale per installazioni fisse, eventi pubblici e configurazioni audio professionali. L'utilizzo del subwoofer in modo diverso da queste linee guida è considerato un uso improprio e annulla la garanzia. Tale uso può provocare lesioni personali, malfunzionamenti dell'apparecchiatura o danni alle cose. Il produttore non si assume alcuna responsabilità per le conseguenze derivanti da un uso improprio o non autorizzato. Non esporre il dispositivo a condizioni o ambienti estremi che potrebbero comprometterne le prestazioni. Gli utenti devono avere una conoscenza di base e possedere le competenze necessarie per utilizzare i dispositivi elettronici. Le persone che non hanno familiarità con tali dispositivi devono utilizzarli solo sotto la supervisione di una persona qualificata. Ispezionare regolarmente il dispositivo per rilevare eventuali segni di danni o usura. Non tentare di effettuare riparazioni se non espressamente indicato nel presente manuale. Per qualsiasi problema che vada oltre la manutenzione di base, rivolgersi a un centro di assistenza autorizzato.

## 2.2. Avvertenze per la sicurezza

### **Potenziale pericolo e rischio di soffocamento per i bambini**

Questo prodotto contiene parti e materiali di imballaggio di piccole dimensioni che possono rappresentare un rischio di soffocamento per bambini e neonati. Assicurarsi che tutti i componenti e i materiali di imballaggio siano tenuti fuori dalla portata dei bambini per evitare l'ingestione o il soffocamento accidentale. Conservare il prodotto e i materiali di imballaggio in un luogo sicuro, lontano dalla portata di bambini e neonati, soprattutto quando non vengono utilizzati. Sorvegliare sempre i bambini quando il prodotto è in uso. Non consentire mai l'accesso al prodotto o alle sue parti senza supervisione.

### **Rischi elettrici**

- Per garantire prestazioni ottimali ed evitare danni elettrici all'amplificatore e al subwoofer, fate sempre corrispondere l'impedenza e la potenza di uscita dell'amplificatore alle specifiche del subwoofer. Se un amplificatore funziona a un'impedenza inferiore a quella indicata, può assorbire una corrente eccessiva, con conseguente surriscaldamento o guasto elettrico. La sovralimentazione di un subwoofer può danneggiarne la bobina o il cablaggio, causando potenzialmente cortocircuiti o guasti termici.
- Un cablaggio errato o cavi degli altoparlanti scoperti in un sistema con subwoofer passivo possono causare cortocircuiti, con il rischio di danneggiare l'am-

plificatore. Se i cavi degli altoparlanti si toccano tra loro o entrano in contatto con una superficie metallica, può verificarsi un cortocircuito, causando danni sia al subwoofer che all'amplificatore.

### **Rischi di incendio**

- Sebbene i subwoofer passivi non generino un calore significativo, è comunque importante assicurarsi che siano collocati in un'area con un flusso d'aria adeguato. L'amplificatore esterno, se non correttamente abbinato o sovraccaricato, può surriscaldarsi e una ventilazione adeguata può aiutare a prevenire potenziali rischi di incendio. Evitare di collocare il subwoofer in uno spazio ristretto senza flusso d'aria per garantire prestazioni ottimali ed evitare rischi.
- L'apparecchio deve essere collocato lontano da fiamme libere e da fonti di calore come termosifoni, stufe o altri apparecchi che producono calore, nonché da oggetti combustibili come tende, foglie o carta.

### **Rischio di danni all'udito**

Questo dispositivo può produrre livelli sonori che possono causare la perdita temporanea o permanente dell'udito se utilizzato a volumi elevati. L'esposizione prolungata a livelli sonori elevati può causare danni irreversibili all'udito. Utilizzare sempre il sistema a livelli di volume sicuri ed evitare aumenti improvvisi del volume. Utilizzare protezioni per l'udito, come tappi per le orecchie, in ambienti ad alto volume e rispettare le norme locali in materia di rumore. La protezione dell'udito è essenziale per la salute e la sicurezza a lungo termine.

### **Rischio di danni dovuti a un'installazione non corretta**

Posizionare sempre il subwoofer su una superficie stabile e piana per evitare ribaltamenti o cadute accidentali. Se il subwoofer è dotato di ruote, accertarsi che siano bloccate saldamente per evitare spostamenti involontari. Inoltre, evitare di posizionare il subwoofer su superfici inclinate o irregolari, dove potrebbe scivolare. Assicurarsi che il dispositivo sia posizionato in modo sicuro e non costituisca un pericolo durante il funzionamento. L'osservanza di queste precauzioni aiuta a prevenire lesioni e danni all'apparecchiatura.

### **Danni legati al funzionamento in condizioni ambientali non idonee**

Il funzionamento del dispositivo in condizioni ambientali non idonee può causare problemi di prestazioni o danni. Evitare di utilizzare il dispositivo in ambienti eccessivamente caldi o freddi, poiché le temperature estreme possono influire sulle prestazioni del subwoofer. Non collocare il subwoofer sotto la luce diretta del sole o in aree con molta sporcizia, polvere o forti vibrazioni. L'accumulo di polvere può compromettere le prestazioni, mentre le forti vibrazioni possono danneggiare i componenti interni, causando malfunzionamenti o distorsioni audio.

### **Esposizione all'umidità e ai liquidi**

Non esporre il subwoofer alla pioggia, all'umidità o a qualsiasi altro liquido, poiché ciò può danneggiare il dispositivo e comprometterne le prestazioni. Inoltre, evitare di collocare oggetti contenenti liquidi, come bevande o vasi, vicino o sopra il subwoofer per evitare versamenti accidentali. Mantenere il subwoofer in un ambiente asciutto è essenziale per preservarne la longevità e le prestazioni ottimali.

### **Avvertenze sui piedini in gomma**

I piedini in gomma del dispositivo possono reagire con alcune superfici nel tempo, causando possibili macchie o scolorimenti. Per evitare che ciò accada, evitare di posizionare il subwoofer su superfici delicate o porose, come legno, pietra o materiali non sigillati. Se necessario, utilizzare tappetini o coperture protettive sotto il dispositivo per evitare danni alle superfici e preservare l'aspetto del subwoofer e dell'ambiente circostante.

## **2.3. Manutenzione**


La manutenzione e l'assistenza regolari sono essenziali per mantenere il dispositivo in condizioni di funzionamento ottimali. Pulire regolarmente il subwoofer solo con un panno asciutto. Non utilizzare solventi come benzolo o alcol. Controllare che i cavi dei diffusori non siano usurati e scollegarli sempre dalla presa prima di pulirli. Non eseguire interventi di assistenza diversi da quelli descritti nel manuale. Rivolgersi esclusivamente a personale qualificato. Utilizzare solo accessori o parti raccomandate dal produttore.

## **2.4. Contenuto della Confezione**

Grazie per aver acquistato il subwoofer passivo della serie ESTRO Bass. Tutte le unità sono state rigorosamente testate prima di lasciare la fabbrica. Disimballare con cura la confezione e controllare il contenuto per assicurarsi che tutte le parti siano presenti e in buone condizioni:

- 1x Subwoofer ESTRO Bass
- Questo manuale utente

In caso di danni durante il trasporto, informare immediatamente lo spedizioniere e conservare il materiale di imballaggio per l'ispezione. Ancora una volta, si prega di conservare la confezione e tutti i materiali di imballaggio. Se l'unità deve essere restituita al produttore, è importante che questa venga restituita nella confezione originale del produttore. Si prega di non intraprendere alcuna azione senza prima averci contattato. I nostri prodotti sono soggetti a un processo continuo di sviluppo. Pertanto, le modifiche alle caratteristiche tecniche rimangono soggette a modifiche senza preavviso.

 **ATTENZIONE: Il sacchetto di imballaggio non è un giocattolo! Tenere fuori dalla portata dei bambini! Conservare il materiale di imballaggio originale in un luogo sicuro per un uso futuro.**

## 3. DESCRIZIONE GENERALE

I subwoofer passivi bass-reflex della serie ESTRO Bass fanno parte di una più ampia gamma di prodotti HELVIA. La serie offre 3 modelli: 12P, 15P e 18P. Questi subwoofer sono compatti, leggeri e molto facili da usare. Sono ideali sia per installazioni fisse che per eventi musicali dal vivo o PA in generale.

L'ESTRO Bass 12P eroga una pressione sonora massima di 124dB con una potenza di programma di 1000W e un woofer professionale custom da 12", mentre gli ESTRO Bass 15P e 18P hanno pressioni sonore massime di 127dB e 130dB, potenze di programma di 1200W e 1600W, e woofer professionali custom da 15" e 18" rispettivamente. Questi modelli hanno un alloggiamento in compensato robusto, leggero e resistente, con griglia in metallo e foam acustico per proteggere i woofer e dare un aspetto attraente. Sono inoltre dotati di 4 maniglie incassate (2 su ciascun lato) di forma quadrata per facilitare il sollevamento sia in posizione verticale che orizzontale. Sul top trova posto un foro M20 per pali come il Soundsation SUBST100-BK o SUBST-M20.

Infine sul retro, solo per i modelli 15P e 18P, abbiamo la predisposizione per 4 ruote da 100mm al fine di facilitare il trasporto e lo stoccaggio.

### 3.1. Caratteristiche:

- Housing robusto in multistrato con bass-reflex frontale
- Verniciatura anti-graffio a polvere
- Woofer da 12" custom con bobina da 3" (ESTRO Bass 12P)
- Woofer da 15" custom con bobina da 4" (ESTRO Bass 15P)
- Woofer da 18" custom con bobina da 4" (ESTRO Bass 18P)
- Potenza ESTRO Bass 12P: 500W RMS - 8ohm (1000W di Programma / 2000W di Picco)
- Potenza ESTRO Bass 15P: 600W RMS - 8ohm (1200W di Programma / 2400W di Picco)
- Potenza ESTRO Bass 18P: 800W RMS - 8ohm (1600W di Programma / 3200W di Picco)
- Connessione Speakon Input e Link (+1 Positivo, -1 Negativo)
- Maniglie recessate (1 per lato)
- Montaggio a Palo con filettatura M20
- Predisposizione per ruote da 100mm (solo ESTRO Bass 15P e 18P)

## 4. ASPETTO DEL PRODOTTO

### 4.1. Dimensioni

ESTRO BASS 12P

L	P	A
420	475	500

ESTRO BASS 15P

L	P	A
460	565	610

ESTRO BASS 18P

L	P	A
540	630	670

Unità: mm

### 4.2. Pannello Posteriore



### **1. Connettore Speaker a 2-Poli di Ingresso (1+ = Positivo / 1- = Negativo)**

Questo connettore consente al subwoofer di ricevere segnali audio amplificati da un amplificatore esterno.

### **2. Connettore Speaker a 2-Poli di Uscita (1+ = Positivo / 1- = Negativo)**

Questo connettore consente di inviare lo stesso segnale amplificato ricevuto dal subwoofer a un diffusore full-range in parallelo, riducendo l'impedenza complessiva. È necessario tenere conto di questo aspetto per evitare di scendere al di sotto dell'impedenza minima nominale dell'amplificatore, in quanto ciò potrebbe causare danni o problemi di prestazioni.

## **5. SCELTA DELL'AMPLIFICATORE**

La maggior parte dei danni ai diffusori è causata da amplificatori con una potenza (wattaggio) troppo bassa. Gli amplificatori sottodimensionati schiacciano (o meglio "squadrano") le forme d'onda in uscita e inviano segnali distorti ai subwoofer. Generalmente è udibile sotto forma di distorsione; e l'effetto può variare da un suono aspro a un suono indistinto o poco chiaro.

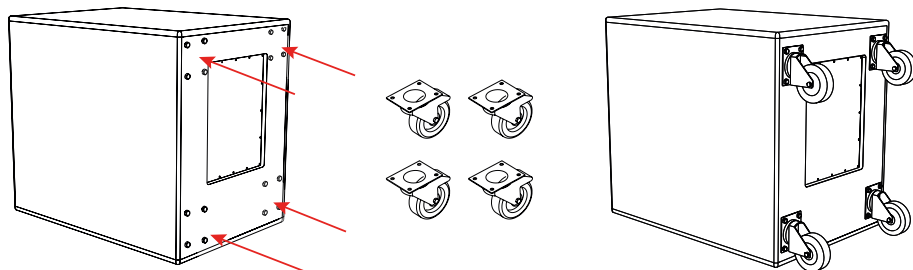
Se si riconosce questa condizione ad alti livelli di volume, abbassare il volume dell'amplificatore fino a quando la distorsione non è più presente. Il funzionamento del subwoofer in queste condizioni può causare danni permanenti ai componenti del diffusore. I danni derivanti da una distorsione eccessiva o da un uso improprio dell'amplificatore non sono coperti da garanzia.

HELVIA è in grado di fornire l'amplificatore più adatto alla vostra configurazione; per maggiori dettagli, cliccate sul seguente link:

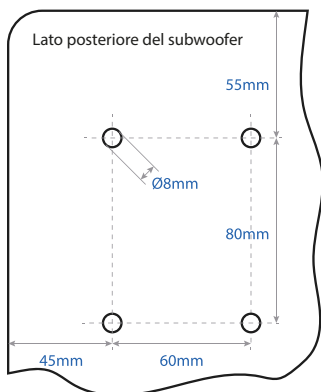
<https://www.helviasystems.com/it/products/amplificatori-c446>

## **6. INSTALLAZIONE RUOTE SUI MODELLI 15P E 18P**

Per facilitare il trasporto dei subwoofer da 15" e da 18", abbiamo predisposto 16 fori M8 sul lato posteriore per quattro ruote.



Tutti i fori sono dotati di dado drive-in M8. Sugeriamo di utilizzare viti M8 x 30mm (almeno) con testa esagonale e rondella per un fissaggio sicuro. Per una maggiore stabilità si consiglia di installare due ruote con freno, una posizionata in alto a sinistra e l'altra in basso a destra.



## 7. PARAMETRI TECNICI

### 7.1. Specifiche

Modello	ESTRO BASS 12P	ESTRO BASS 15P	ESTRO BASS 18P
Tipo di Diffusore	Subwoofer Passivo Bass-reflex		
Risposta in Frequenza [-3dB]	50-600Hz	45-600Hz	40-600Hz
Risposta in Frequenza [-10dB]	40-1 kHz	35-1 kHz	35-1 kHz
Sensibilità (1W@1m)	94dB	96dB	98dB
Max SPL (Picco)	124	127	130
Potenza in Uscita (RMS)	500W	600W	800W
Potenza di Programma	1000W	1200W	1600W
Potenza di Picco	2000W	2400W	3200W
Impedenza	8ohm		
Diametro LF	12"	15"	18"
Diametro Bobina LF	3"	4"	
Ingresso	1x Speakon a 2-poli		
Uscita	1x Speakon a 2-poli		
Materiale Cabinet	Compensato		
Materiale e spessore Griglia	Acciaio / 1.5mm		

Maniglie	Incassate (1x lato)		Incassate (2x lato)
Montaggio su Palo	M-20 filettato		
Rotelle	/	Opzionali (montaggio nella parte posteriore)	
Dimensioni Subwoofer (LxPxA)	420 x 475 x 500mm (16.53 x 18.70 x 19.68 in.)	460 x 565 x 610mm (18.11 x 22.24 x 24.01 in.)	540 x 630 x 670mm (21.25 x 24.80 x 26.37 in.)
Peso Netto	23.5 kg (51.8 lbs.)	32.5 kg (71.65 lbs.)	39.5 kg (87.08 lbs.)
Dimensioni Imballo (LxPxA)	510 x 555 x 610mm (20.07 x 21.85 x 24.01 in.)	545 x 640 x 720mm (21.45 x 25.19 x 28.34 in.)	625 x 765 x 695mm (24.60 x 30.11 x 27.36 in.)
Peso Lordo	27.2 kg (59.97 lbs.)	37.6 kg (82.90 lbs.)	45 kg (99.20 lbs.)

*I nostri prodotti sono soggetti a continui miglioramenti. Modifiche alle caratteristiche possono essere apportate senza preavviso.*

## 8. GARANZIA E ASSISTENZA

Tutti i prodotti HELVIA® sono coperti da garanzia secondo le normative europee (2 anni in caso di vendita finale a privato - B2C; 1 anno in caso di vendita finale ad azienda - B2B). Questa garanzia è valida dalla data di acquisto da parte dell'utilizzatore finale (privato o azienda che sia), indicata nel documento di acquisto (scontrino in caso di privato; fattura in caso di azienda). I seguenti casi / componenti non sono coperti dalla garanzia di cui sopra:

- Tutti gli accessori forniti con il prodotto;
- Uso improprio;
- Guasto dovuto all'usura;
- Ogni modifica non autorizzata del prodotto effettuata dall'utente o da terzi.

HELVIA deve soddisfare gli obblighi di garanzia dovuti a eventuali materiali non conformi o difetti di fabbricazione, rimediando gratuitamente e a discrezione di HELVIA, con la riparazione o sostituzione di singole parti o dell'intero apparecchio. Eventuali parti difettose rimosse da un prodotto in caso di intervento di garanzia diventano di proprietà di HELVIA. Durante il periodo di garanzia, i prodotti difettosi possono essere restituiti al rivenditore o all'installatore HELVIA con prova di acquisto originale (scontrino o fattura). Per evitare danni durante il trasporto, si prega di utilizzare l'imballo originale, se disponibile. Per ulteriori informazioni visitate il sito [www.helviasystems.com](http://www.helviasystems.com)

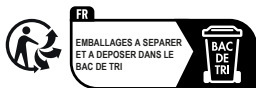


## 9. PROTEGGERE L'AMBIENTE

### Imballaggio Ecologico



Per l'imballo di questo prodotto abbiamo utilizzato materiali ecologici. La maggior parte dei materiali di imballaggio, tra cui cartone, carta e alcune materie plastiche, possono essere riciclati. Vi preghiamo di aiutarci a ridurre l'impatto ambientale smaltendo questi materiali in modo responsabile. Assicurarvi che questi materiali siano collocati nei contenitori per il riciclaggio previsti dal programma di riciclaggio locale. Controllare le normative locali per garantire la conformità.



Consultare le normative sulla gestione dei rifiuti e sul riciclaggio dei materiali in Francia.

## 10. DIRETTIVA RAEE

LEGGETE ATTENTAMENTE - solo per UE e EEA (Norvegia, Islanda e Liechtenstein).



Questo simbolo indica che il prodotto non deve essere smaltito con i rifiuti domestici, in base alla direttiva RAEE (2202/96/CE e successive modificazioni) e legislazione nazionale.

Il prodotto deve essere consegnato a un centro di raccolta differenziata o, in caso di ritiro dell'usato quando si acquista un nuovo prodotto simile, ad un rivenditore autorizzato per il riciclaggio di apparecchiature elettriche ed elettroniche (RAEE).

Un uso improprio di questo tipo di rifiuti può avere un impatto negativo sull'ambiente e sulla salute umana a causa di sostanze potenzialmente pericolose che sono generalmente associate alle apparecchiature elettriche ed elettroniche. Allo stesso tempo, la vostra collaborazione per il corretto smaltimento di questo prodotto contribuirà a un utilizzo efficace delle risorse naturali.

Per ulteriori informazioni sui punti di raccolta delle apparecchiature da rottamare, contattate il comune, l'autorità di gestione dei rifiuti, strutture coinvolte nel sistema RAEE o il servizio di smaltimento dei rifiuti domestici.







[info@frenexport.it](mailto:info@frenexport.it)



MADE IN CHINA / FABBRICATO IN CINA / FABRICADO EN CHINA

This product is imported in the European Union by  
Questo prodotto è importato nell'Unione Europea da

FRENEXPORT SPA – Via Enzo Ferrari, 10 - 62017 Porto Recanati - Italy  
HELVIA® is a registered trademark of FRENEXPORT SPA - Italy  
HELVIA® è un marchio di fabbrica registrato di FRENEXPORT SPA - Italia