



ENG • ESP



## Description

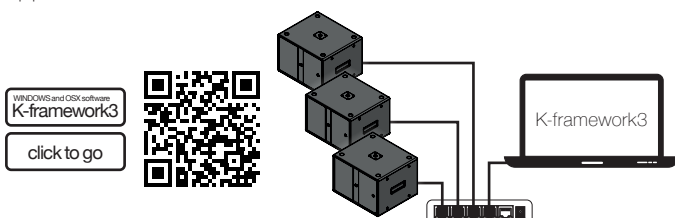
The Thunder-KS3 I is a compact active subwoofer featuring a 21" cone driver and a powerful 4x 2500W @ 4Ω audio amplifier module with built-in DSP.

The audio power output connectors allow the Thunder subwoofers to drive a wide range of K-array passive loudspeakers. Compatible with midrange loudspeaker and other passive subwoofers, the self powered Thunder subwoofers with DSP are designed to be the core devices in K-array sound reinforcement systems.

The dedicated K-array Connect mobile app provides an user friendly interface for remote control of the DSP main parameters and easy configuration of the signal routing.



K-framework3 is the managing and control software dedicated to professionals and operators looking for a powerful tool for designing and managing a large number of units over a wired LAN in demanding applications.

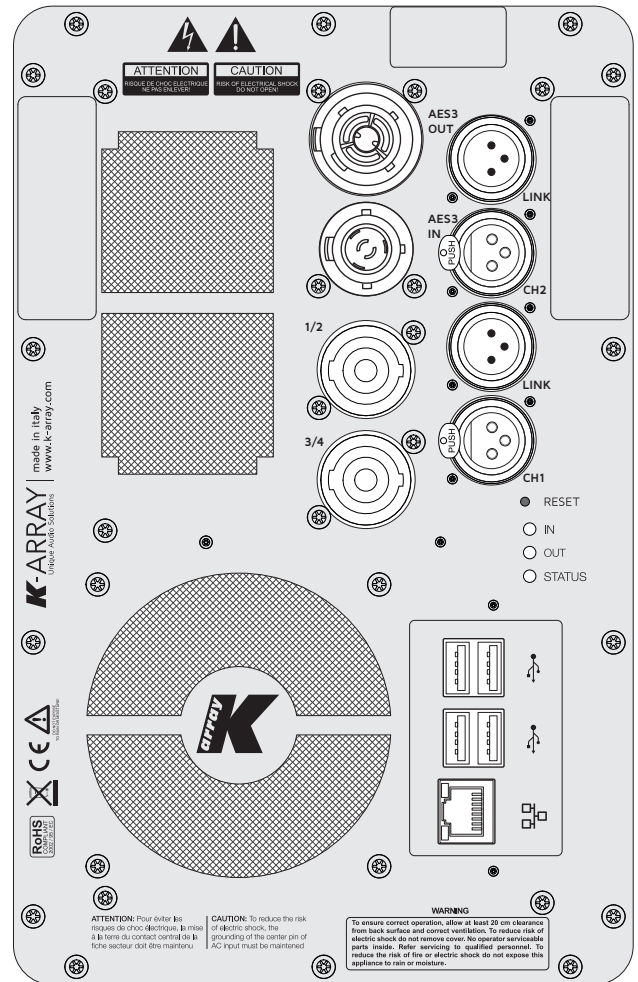


- 21" neodymium magnet woofer.
- Built in Class D audio amplifier module 4x 2500W @ 4Ω.
- 4x 2500W @ 4Ω audio power outputs for driving external loudspeakers.
- K-array Connect mobile app for easy wireless access to the DSP features.
- K-framework designer and remote control software for advanced loudspeakers system management.
- DSP onboard with:
  - Channel Grouping: group controls over multiple channels;
  - Input EQ: 3 bands fully parametric equalizer;
  - Output EQ: 8 bands fully parametric selectable filters: Peaking, High-Shelf, Low-Shelf, High-Pass, Low-Pass, HP-Butterworth, LP-Butterworth;
  - Dynamic limiters;
  - Signal routing: freely assignable input-to-output signal path with level adjustment;
  - Channel delay up to 230ms.
- osKar embedded: custom operating system running on quad core 1.5 GHz internal processor.
- Bass reflex acoustic load with symmetric ports.
- High density Finnish birch plywood cabinet for increased resistance and robustness.
- Rugged Polyurea coating for improved environmental resistance.
- Available in black or white or customizable paint over the entire RAL palette.

# Technical Specifications

General	
Type	Active subwoofer
Transducers	21" neodymium magnet woofer
Frequency Response <sup>1</sup>	30 Hz – 150/450 Hz (-6 dB) crossover dependant
Crossover	DSP-controlled, Low Pass @ 150 Hz, preset dependant
Max SPL <sup>2</sup>	139 dB peak
Coverage	Omni
Connectors	Line Input 2x XLR-F analog balanced / AES3 input Line Output 2x XLR-M Link analog balanced / AES3 output Speaker Output 2x SpeakON NL4 (Ch1 1+/- // Ch2 2+/-) Mains powerCON TRUE1 TOP, 16 A true mains Networking and Data 1x RJ45 4x USB-A
DSP	Input gain, routing matrix, delay, full parametric IIR filters (Peaking, Shelving, Hi/ Lo pass, Hi/Lo Butterworth), Onboard preset, Remote monitoring
Remote control	Wi-Fi dedicated APP K-framework3 via wired Ethernet connection
Amplifier module	4-channel switching mode, Class D
Output power <sup>3</sup>	4x 2500 W @ 4 Ω
MAINS Operating Range	100-240V AC, 50-60 Hz with PFC
Power Consumption	600 W @ 8 Ω load, Pink noise, 1/8 rated power
Protections	Over Temp. (Power Limiting – Thermal Shutdown), Short Circuit/Overload Output Protection, Power Limiting, Clip Limiter/ Permanent Signal Limiter, High Frequency Protection
Handling & Finishes	
IP Rating	IP53
Dimensions (WxHxD)	735 x 580 x 700 mm (28.9 x 22.83 x 20.87 in)
Weight	56 kg (123.4 lb)
Color	Black, White, Custom RAL (on demand)

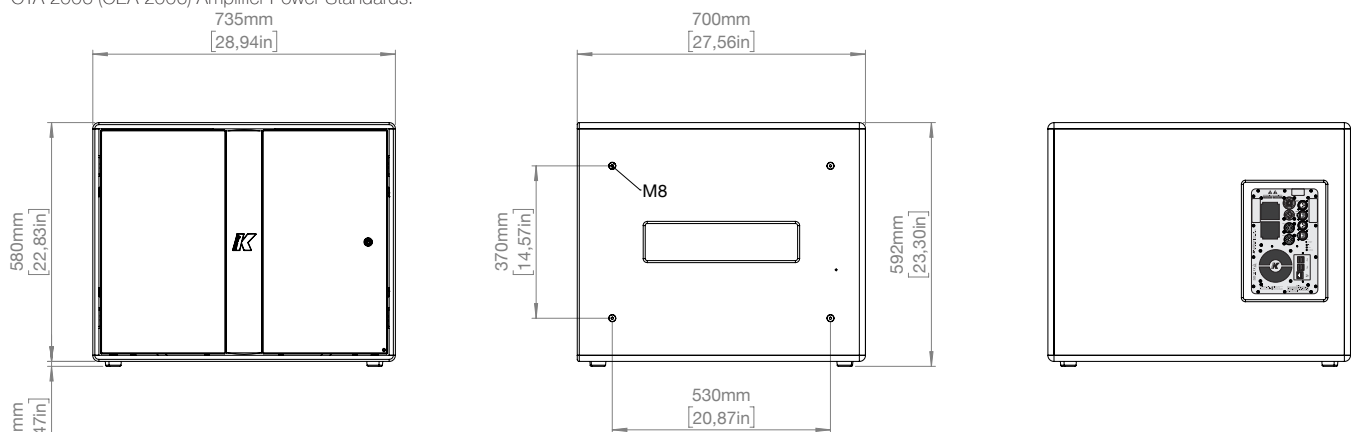
Accessories	
K-FOOT3	Adapter for standing top and midrange loudspeaker on top
K-HCFly2I	Fly bar for KH2I-KS3I
K-EXTFRAME3	Hardware to suspend KS3I (kit for 1 unit)



<sup>1</sup> Extensible with dedicated preset according to the midrange crossover point.

<sup>2</sup> Maximum SPL is calculated using a signal with crest factor 4 (12dB) measured at 1 m.

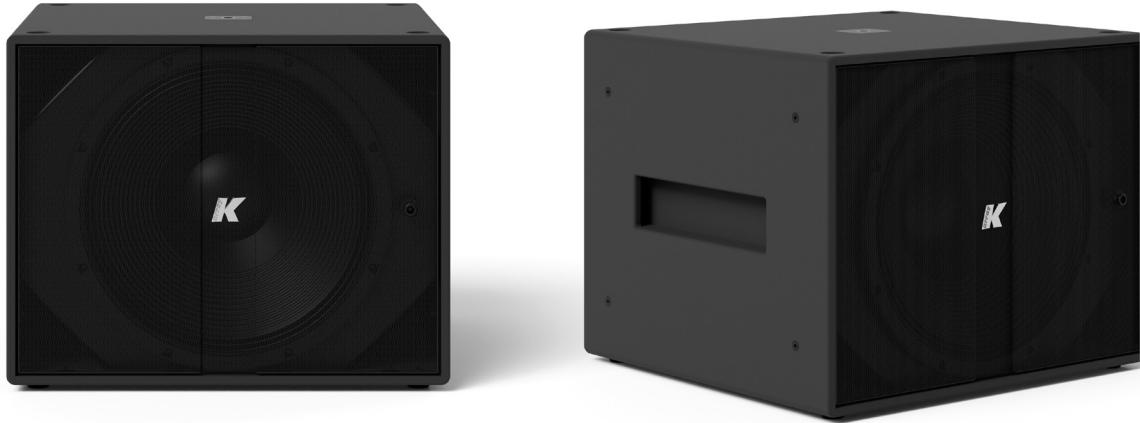
<sup>3</sup> CTA-2006 (CEA-2006) Amplifier Power Standards.



Notes:

Passive loudspeakers require dedicated presets loaded onboard K-array amplifiers.  
New materials and designs are introduced into existing products without previous notice.  
Present systems may differ in some respects from those presented in this document.





## Description

The Thunder-KS3PI is a high-performance 21" passive subwoofer designed to deliver deep, powerful low frequencies for professional audio applications. Featuring a neodymium magnet woofer, it offers a frequency response of 30 Hz - 150/300 Hz, with a DSP-controlled low-pass crossover for precise sound tuning.

With an impressive peak power of 2800W and a maximum SPL of 139 dB, the KS3P ensures exceptional output and omnidirectional coverage. Built from polyurea-coated birch plywood, it provides durability and resistance to demanding environments. Its IP54 rating ensures protection against dust and water splashes.

Thunder-KS3PM is also available with specialized marine treatment against salt and corrosion make it suitable for demanding marine environment.

Available in black, white, or custom RAL colors, it's a versatile choice for any setup.

- 21" neodymium magnet woofer
- 30 Hz - 150/300Hz (-6dB) crossover dependant
- DSP-controlled, Low Pass @ 150 Hz, preset dependant
- 2800W peak @4 Ω
- 139 dB Max SPL
- Accessories available for ground stacking and suspended array configurations
- Driven by Kommander-KA104 or Kommander-KA208 amplifier
- Available in black and custom RAL color
- Specialized marine treatment against salt and corrosion with Thunder-KS3PM I



# Thunder-KS3P I

Technical Specifications	
Type	Passive subwoofer
Transducers	21" neodymium magnet woofer
Frequency Response <sup>1</sup>	30 Hz – 150/300 Hz (-6 dB) crossover dependant
Crossover	External DSP-controlled, Low Pass @ 150 Hz up to 300 Hz, preset dependant
Max SPL <sup>2</sup>	139 dB peak
Nominal Impedance	4Ω
Rated Power	2800 W peak
Coverage	Omni
Connectors	2x SpeakON NL4 2+ 2- signal / 1+1- link

Handling & Finishes	
Dimensions (WxHxD) <sup>3</sup>	735 x 580 x 700 mm (28.9 x 22.83 x 27.56 in)
Weight	49,2 kg (108.5 lb)
Material	Polyurea coated birch plywood
Color	Black, custom RAL
IP Rating <sup>4</sup>	IP54
KS3PM I marine grade IP Rating <sup>5</sup>	IP55

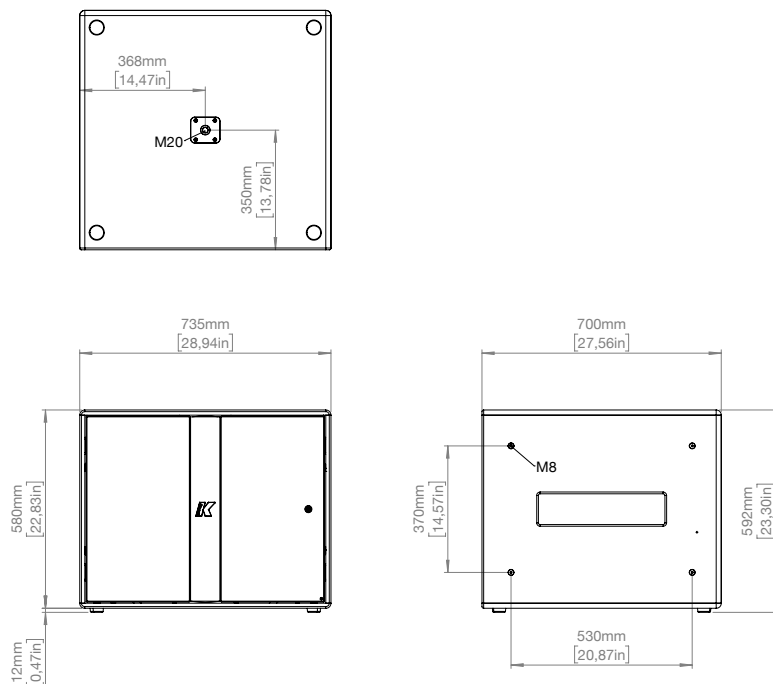
<sup>1</sup>With dedicated preset according to the midrange crossover point.

<sup>2</sup>Maximum SPL is calculated using a signal with crest factor 4 (12dB) measured at 1 m.

<sup>3</sup>Included 17 mm (0.7 in) removable rubber feet

<sup>4</sup>More water protection with K-AMPCOVER II and K-IP65KITB and K-IP65KITA

<sup>5</sup>K-AMPCOVER II and K-IP65KITB and K-IP65KITA included in Thunder-KS3PM I



## Notes:

Passive loudspeakers require dedicated presets loaded onboard K-array amplifiers.  
New materials and designs are introduced into existing products without previous notice.  
Present systems may differ in some respects from those presented in this catalog.

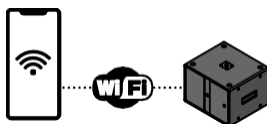


## Descripción

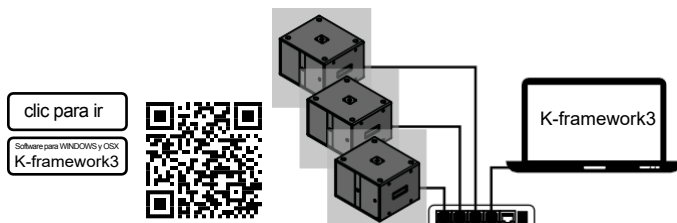
El Thunder-KS3 I es un subwoofer activo compacto que incorpora un transductor de cono de 21" y un potente módulo amplificador de audio 4x 2500W @ 4Ω con DSP integrado.

Los conectores de salida de potencia de audio permiten a los subwoofers Thunder accionar una amplia gama de altavoces pasivos K-array. Compatibles con altavoces de medios y otros subwoofers pasivos, los subwoofers Thunder autoamplificados con DSP están diseñados para ser los dispositivos centrales de los sistemas de refuerzo de sonido K-array.

La aplicación móvil dedicada K-array Connect proporciona una interfaz fácil de usar para el control remoto de los parámetros principales del DSP y una configuración sencilla del enrutamiento de la señal.



K-framework3 es el software de gestión y control dedicado a los profesionales y operadores que buscan una herramienta potente para diseñar y gestionar un gran número de unidades a través de una LAN cableada en aplicaciones exigentes.



- 21" neodimium magnet woofer.
- Built in Class D audio amplifier module 4x 2500W @ 4Ω.
- 4x 2500W @ 4Ω audio power outputs for driving external loudspeakers.
- K-array Connect mobile app for easy wireless access to the DSP features.
- K-framework designer and remote control software for advanced loudspeakers system management.
- DSP onboard with:
  - Channel Grouping: group controls over multiple channels;
  - Input EQ: 3 bands fully parametric equalizer;
  - Output EQ: 8 bands fully parametric selectable filters: Peaking, High-Shelf, Low-Shelf, High-Pass, Low-Pass, HP Butterworth, LP-Butterworth;
  - Dynamic limiters;
  - Signal routing: freely assignable input-to-output signal path with level adjustment;
  - Channel delay up to 230ms.
- osKar embedded: custom operating system running on quadcore 1.5 GHz internal processor.
- Bass reflex acoustic load with symmetric ports.
- High density Finnish birch plywood cabinet for increased resistance and robustness.
- Rugged Polyurea coating for improved environmental resistance.
- Available in black or white or customizable paint over the entire RAL palette.

# Especificaciones técnicas

General	
Tipo	Subwoofer activo
Transductores	Woofer de 21" con imán de neodimio
Respuesta en frecuencia <sup>1</sup>	30 Hz - 150/300 Hz (-6 dB) en función del crossover
Cruce	Controlado por DSP, Paso bajo @ 150 Hz hasta 300 Hz, según preajuste
SPL máximo <sup>2</sup>	139 dB pico
Cobertura	Omni
Conectores	Entrada de línea 2 entradas XLR-F analógicas balanceadas / AES3 Salida de línea 2x XLR-M Link analógico balanceado / salida AES3 Salida de altavoz 2x SpeakON NL4 (Ch1 1+/1- // Ch2 2+/2-) Red powerCON TRUE1 TOP, red verdadera de 16 A Redes y datos 1x RJ45 4x USB-A
DSP	Ganancia de entrada, matriz de enrutamiento, retardo, filtros IIR paramétricos completos (Peaking, Shelving, Hi/Lo pass, Hi/Lo Butterworth), preajuste integrado, monitorización remota
Mando a distancia	Wi-Fi APP dedicada K-framework3 mediante conexión Ethernet por cable
Módulo amplificador	Modo de conmutación de 4 canales, Clase D
Potencia de salida <sup>3</sup>	4x 2500 W @ 4 Ω
RED Rango de funcionamiento	100-240 V CA, 50-60 Hz con PFC
Consumo de energía	600 VA a 4 Ω de carga, ruido rosa, 1/8 de potencia nominal
Protecciones	Sobretensión (limitación de potencia - apagado térmico), protección contra cortocircuito/sobrecarga de salida, limitación de potencia, limitador de recorte/limitador de señal permanente, protección de alta frecuencia

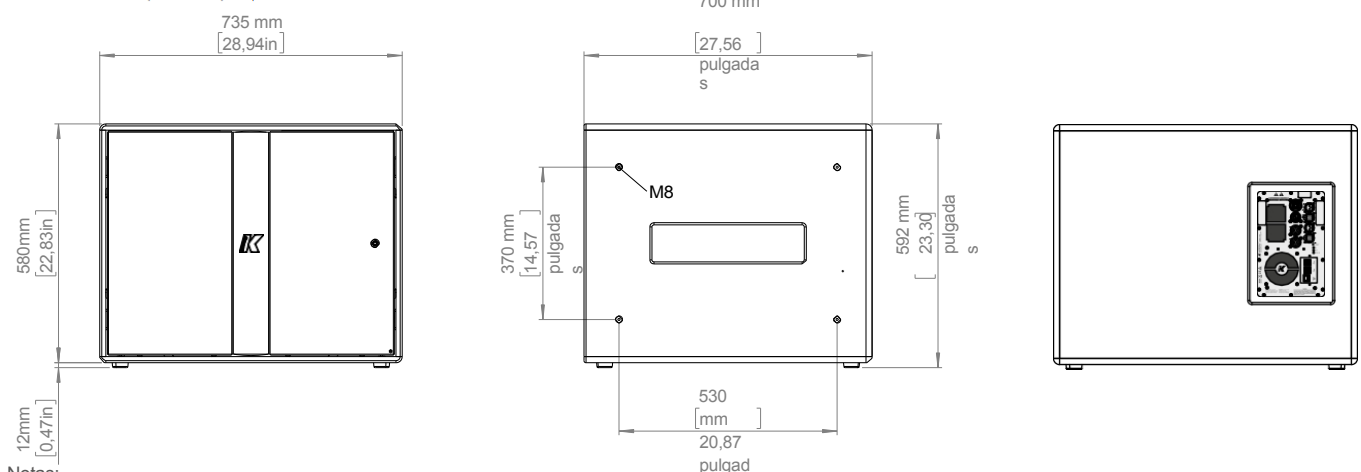
Accesorios	
K-FOOT3	Adaptador para altavoz de pie y altavoz de medios en la parte superior
K-HCFLY2I	Barra de vuelo para KH2I-KS3I
K-EXTFRAME3	Herrajes para suspender el KS3I (kit para 1 unidad)

Handling & Finishes	
IP Rating	IP53
Dimensions (WxHxD)	735 x 580 x 700 mm (28.9 x 22.83 x 27.56 in)
Weight	56 kg (123.4 lb)
Color	Black, White, Custom RAL (on demand)

<sup>1</sup> Extensible with dedicated preset according to the midrange crossover point.

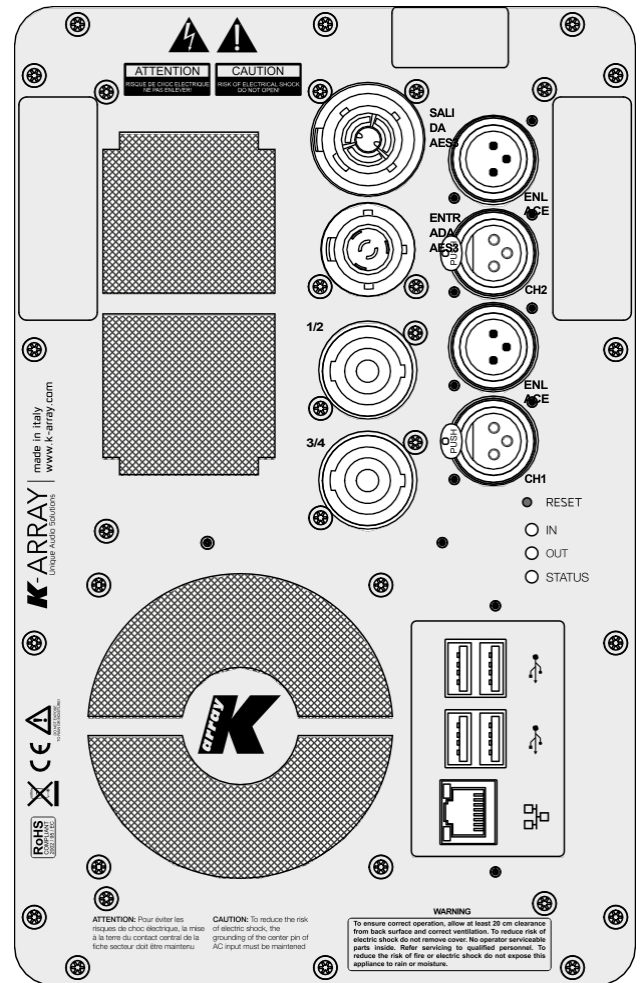
<sup>2</sup> Maximum SPL is calculated using a signal with crest factor 4 (12dB) measured at 1 m.

<sup>3</sup> CTA-2006 (CEA-2006) Amplifier Power Standards.



### Notas:

Los altavoces pasivos requieren preajustes específicos cargados en amplificadores K-array integrados. Se introducen nuevos materiales y diseños en los productos existentes sin previo aviso. Los sistemas actuales pueden diferir en algunos aspectos de los presentados en este



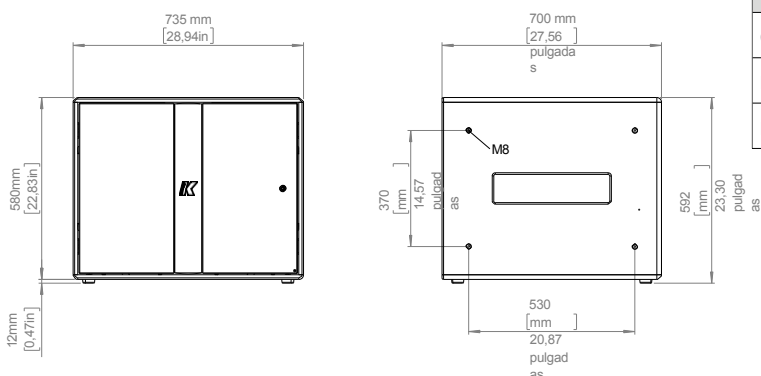
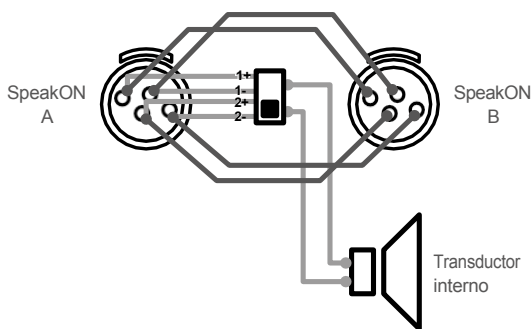


## Descripción

El Thunder-KS3P I es un subwoofer pasivo compacto que incorpora un woofer de imán de neodimio de 21" de larga excursión con bobina móvil de 4".

El Thunder-KS3P I incorpora 2 conectores SpeakON NL4 que permiten introducir las señales de sistemas activos o amplificadores externos, con un cable de 2 o 4 hilos, así como dirigir la señal a otros altavoces.

Selección de terminales de entrada y cableado de enlace.



## Especificaciones técnicas

Tipo	Subwoofer pasivo
Transductores	Woofer de 21" con imán de neodimio
Respuesta en frecuencia <sup>1</sup>	30 Hz - 150/300 Hz (-6 dB) en función del crossover
Crossover	Controlado por DSP externo, Paso bajo @ 150 Hz hasta 300 Hz, según preajuste
SPL máximo <sup>2</sup>	139 dB pico
Impedancia nominal	4Ω
Potencia	2800 W pico
Cobertura	Omni
Conectores	Entrada de altavoz/salida en paralelo 2x SpeakON NL4 Terminales de entrada seleccionables: IN+Enlace 1+/1- (paralelo), Enlace 2+/2- Enlace 1+/1- , IN+Enlace 2+/2- (POR DEFECTO)

## Handling & Finishes

Clasificación IP	IP54
Dimensiones (AnxAlxPr)	735 x 580 x 700 mm (28,9 x 22,83 x 27,56 pulg.)
Peso	49,2 kg (108,5 lb)

<sup>1</sup> Extensible con preajuste dedicado según el punto de cruce de medios.

<sup>2</sup> El SPL máximo se calcula utilizando una señal con factor de cresta 4 (12 dB) medida a 1 m.

### Notas:

Los altavoces pasivos requieren preajustes específicos cargados en amplificadores K-array integrados. Se introducen nuevos materiales y diseños en los productos existentes sin previo aviso. Los sistemas actuales pueden diferir en algunos aspectos de los presentados en este documento.

