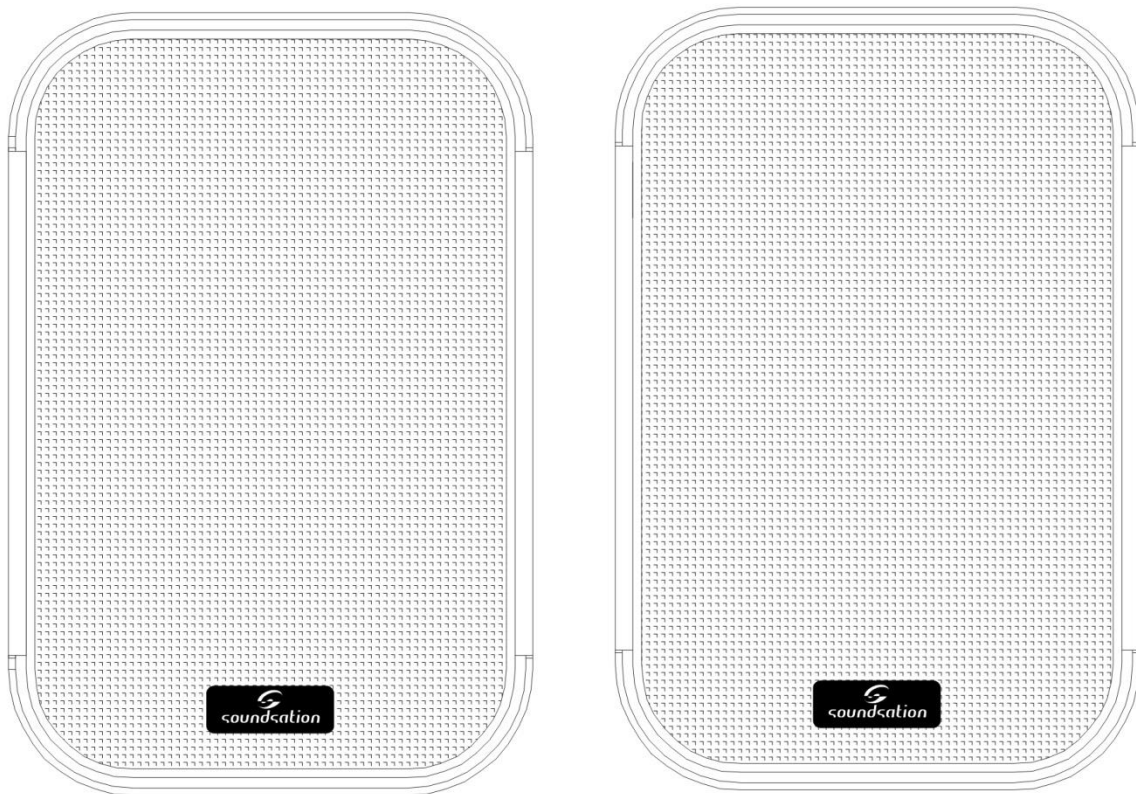


# SPWM-05V

100V PASSIVE PA SPEAKERS



USER MANUAL

  
**soundstation**



Dear customer,

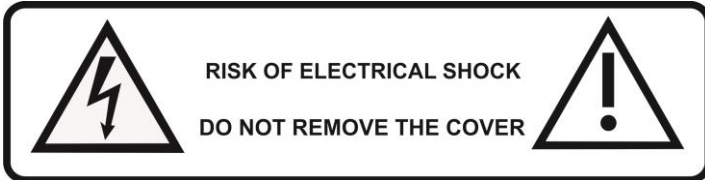
first of all thanks for purchasing a **SOUNDSATION**<sup>®</sup> product. Our mission is to satisfy all the possible needs of musical instrument and professional audio users offering a wide range of products using the latest technologies for a reasonable price.

We hope you will be satisfied with this item and, if you want to collaborate, we are looking for a **feedback** from you about the operation of the product and for possible improvements to introduce in the next future. Go to our website [www.soundSationmusic.com](http://www.soundSationmusic.com) and send an e-mail with your opinion, this will help us to build instruments ever closer to customer's real requirements.

One last thing: read this manual before using the instrument, an incorrect operation can cause damages to you and to the unit. Take care!

**The SOUNDSATION Team**

# SAFETY INSTRUCTION



No user-serviceable parts inside!

## CAUTION

TO PREVENT THE RISK OF FIRE OR ELECTRIC SHOCK,  
DO NOT EXPOSE THIS UNIT TO RAIN OR MOISTURE.

### TO PREVENT POSSIBLE DAMAGES READ THE FOLLOWING LIST OF ACTIONS:

Read these instructions.

Keep these instructions.

Heed all warnings.

Follow all instructions.

Do not use this apparatus near water.

Do not place the instrument in wet or dirty environments.

Do not remove the protective coverings.

Do not cover any of the instrument's ventilation holes.

Air must circulate freely around the instrument.

Do not set the instrument on a surface with excessive vibration.

Do not defeat the safety purpose of the polarized or grounding-type plug. A polarized plug has two blades with one wider than the other. A grounding type plug has two blades and a third grounding prong. The wide blade or third prong are provided for your safety. If the provided plug does not fit your outlet, consult an electrician for replacement of the obsolete

Do not expose the instrument to electro-magnetic interference.

Do not expose the instrument to heat, cold, wet or dust.

Do not leave the instrument in direct sunlight.

Do not expose the instrument to electrostatic forces.

Do not place items with flames, such as candles or lighters, on the instrument.

Do not place the instrument on anything containing water or other fluids.

Use only with the cart, stand, tripod, bracket, or table specified by the manufacturer, or sold with the apparatus. When a cart is used, use caution when moving the cart/apparatus combination to avoid injury from tip-over.



Use Caution when you move  
the unit with his stand/tripod!

Some products can feature a dual or multiple voltage transformers. If your country standards doesn't match with the one pre-set on your unit please contact our authorized dealer/technical assistance for conversion.



**You need assistance from qualified technician in the following cases:**

- If the power cord is damaged (i.e., cut or a bare wire is exposed), ask your dealer for a replacement. Using the unit with a damaged power cord is a fire and electrical shock hazard.
- Should this unit be dropped or the cabinet be damaged, turn the power switch off, remove the power plug from the AC outlet, and contact your dealer. If you continue using the unit without heeding this instruction, fire or electrical shock may result.
- If you notice any abnormality, such as smoke, odor, or noise,
- a foreign object or liquid gets inside the unit, turn it off immediately. Remove the power cord from the AC outlet. Consult your dealer for repair. Using the unit in this condition is a fire and electrical shock hazard.

**UK IMPORTANT NOTICE**

**WARNING: THIS APPARATUS MUST BE EARTHED IMPORTANT.** The wires in this mains lead are colored in accordance with the following code:

**GREEN-AND-YELLOW : EARTH**  
**BLUE : NEUTRAL**  
**BROWN : LIVE**

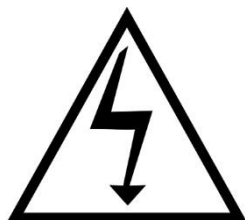


As the colors of the wires in the mains lead of this apparatus may not correspond with the colored markings identifying the terminals in your plug proceed as follows:

The wire which is colored GREEN-and-YELLOW must be connected to the terminal in the plug which is marked by the letter E or by the safety earth symbol or colored GREEN or GREEN-and-YELLOW. The wire which is colored BLUE must be connected to the terminal which is marked with the letter N or colored BLACK. The wire which is colored BROWN must be connected to the terminal which is marked with the letter L or colored RED.



**Do not plug this apparatus during lightning storms or when unused for long periods of time.**



The lightning flash with arrowhead symbol within an equilateral triangle is intended to alert the user to the presence of uninsulated "dangerous voltage" within the product's enclosure that may be of sufficient magnitude to constitute a risk of electric shock to persons.

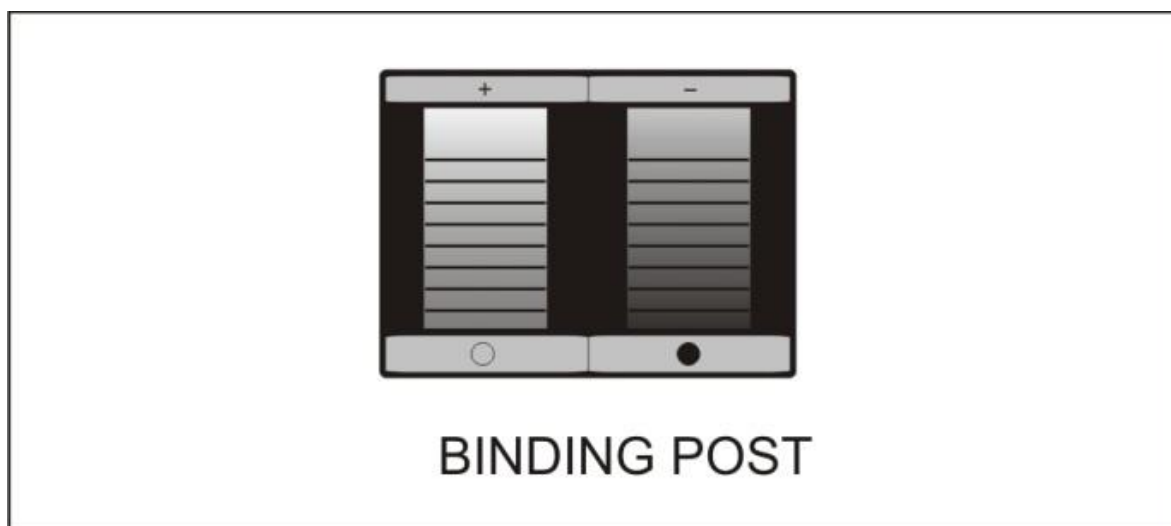


The exclamation point within an equilateral triangle is intended to alert the user to the presence of important operating and maintenance (servicing) instructions in the literature accompanying the product.

# OVERVIEW

The SPWM-05V series features a transformer in each speaker that convert the 100V signal to the traditional loudspeaker signal.

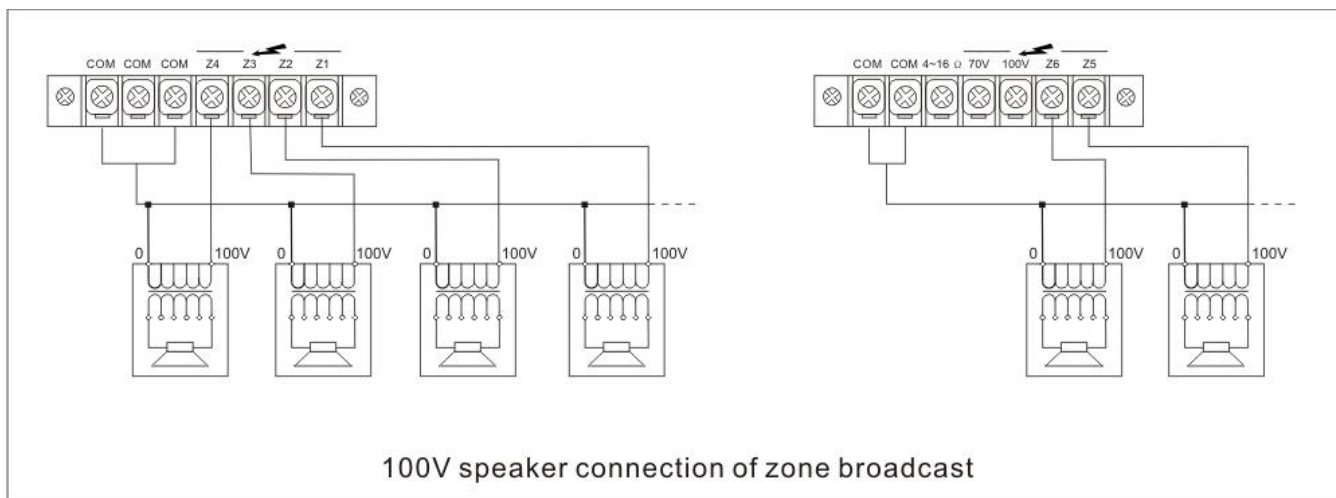
Being a passive speaker it's equipped only with a Binding-post connector in the back panel. Be sure that Positive and Negative poles are wired in the right way to prevent possible damage to the unit.



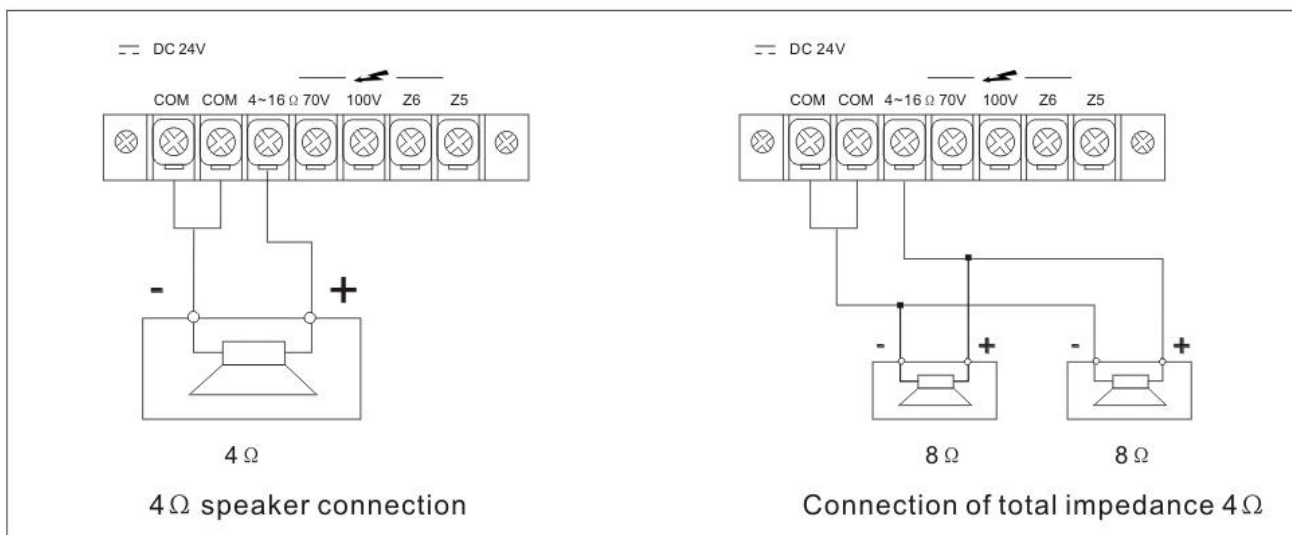
## SPECIFICHE TECNICHE

Frequency Range (-10dB)	95Hz-20KHz
Power Capacity (Continuous Pink Noise)	30W
Nominal Impedance	8 ohms
Sensitivity (1W@1m)	88dB
Nominal Dispersion	▪
Crossover Frequency	2.5KHz
LF Driver	FB205
HF Driver	3/4" Dome
Maximum SPL	100dB
Input Connectors	Binding post
Dimensions (H×W×D)	226×152×130 mm
Net Weight	3.2 kg

# SPEAKER CONFIGURATION WITH ZEUS V240

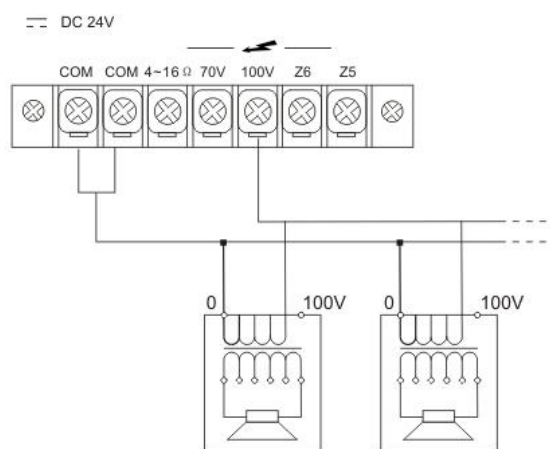


**Note: the max load of each zone is 100W.**



**These speakers only works at 100V!**

**To prevent possible damages to the speakers and to the Amplifier don't use any other connection than 100Volts!**



100V connection with a transformer

# WARRANTY & SERVICE

All SOUNDSATION products feature a limited **two-year** warranty. This two-year warranty is specific to the date of purchase as shown on your purchase receipt.

The following cases/components are not covered from the above warranty :

- Any accessories supplied with the product
- Improper use
- Fault due to wear and tear
- Any modification of the product effected by the user or a third party

SOUNDSATION shall satisfy the warranty obligations by remedying any material or manufacturing faults free of charge at SOUNDSATION's discretion either by repair or by exchanging individual parts or the entire appliance. Any defective parts removed from a product during the course of a warranty claim shall become the property of SOUNDSATION.

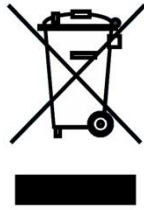
While under warranty period, defective products may be returned to your local SOUNDSATION dealer together with original proof of purchase. To avoid any damages in transit, please use the original packaging if available. Alternatively you can send the product to SOUNDSATION SERVICE CENTER – Via Enzo Ferrari , 10 – 62017 Porto Recanati – Italy

In order to send a product to service center you need an RMA number. Shipping charges have to be covered by the owner of the product.

For further information please visit [www.soundsationmusic.com](http://www.soundsationmusic.com)

# WARNING

PLEASE READ CAREFULLY – EU and EEA (Norway, Iceland and Liechtenstein) only



This symbol indicates that this product is not to be disposed of with your household waste, according to the WEEE Directive ( 2202/96/EC) and your national law.

This product should be handed over to a designated collection point, e.g., on an authorized one-for-one basis when you buy a new similar product or to an authorized collection site for recycling waste electrical and electronic equipment (WEEE) .

Improper handling of this type of waste could have a possible negative impact on the environment and human health due to potentially hazardous substances that are generally associated with EEE. At the same time , your cooperation in the correct disposal of this product will contribute to the effective usage of natural resources.

For more information about where you can drop off your waste equipment for recycling , please contact your local city office , waste authority , approved WEEE scheme or your household waste disposal service.

Contents and images shown on this manual can be changed without any notice. Please visit our website [www.soundsationmusic.com](http://www.soundsationmusic.com) to check latest version.

**DESIGNED IN ITALY BY SOUNDSATION®**

**SPWM-05VUSER MANUAL REV. 1.01**



MADE IN CHINA

All the Trademarks are property of their respective owners

SOUNDSATION® is a registered trademark of

FRENEXPORT SPA – Via Enzo Ferrari, 10 - 62017 Porto Recanati –Italy



© SOUNDSATION 2013 – All rights reserved – All total or partial reproduction of this manual by any other company or person without express authorization of Soundsation is strictly forbidden.