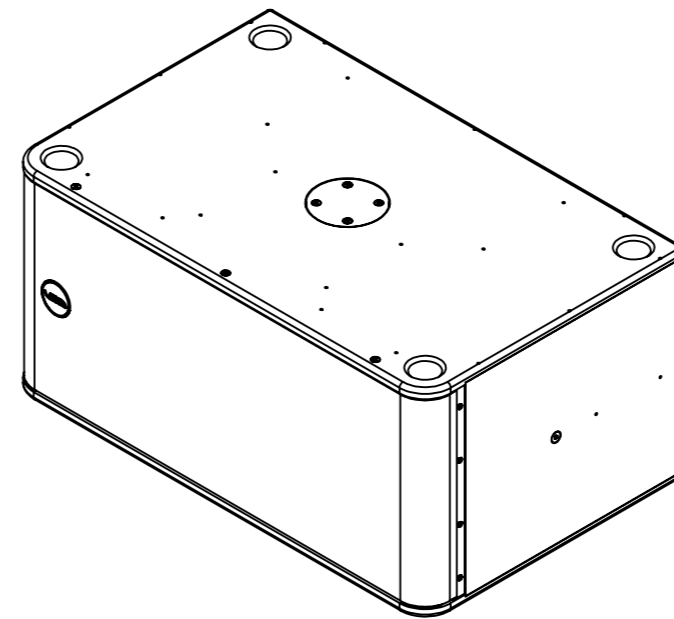
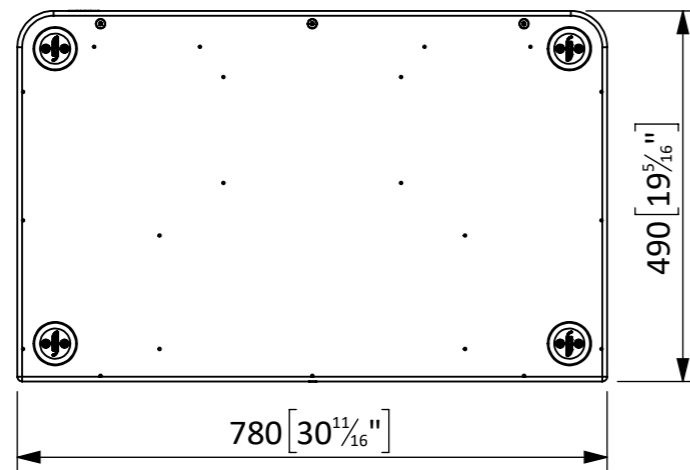
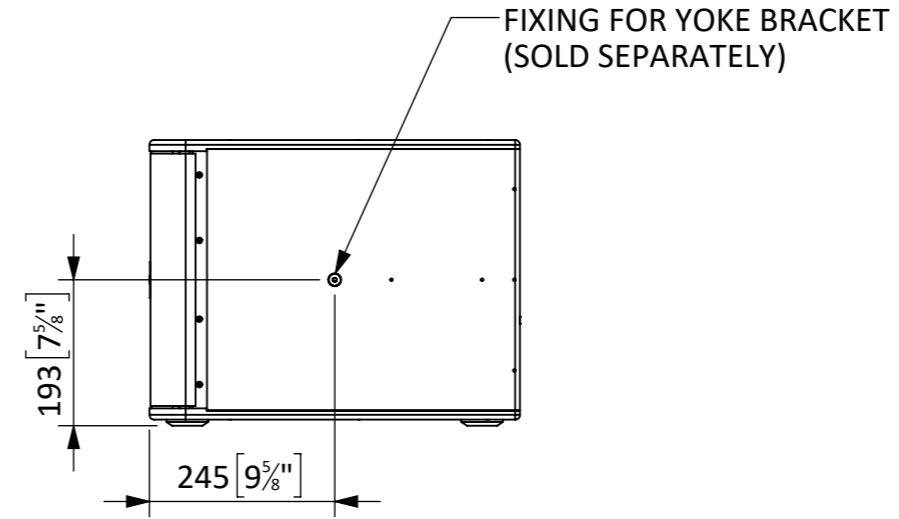
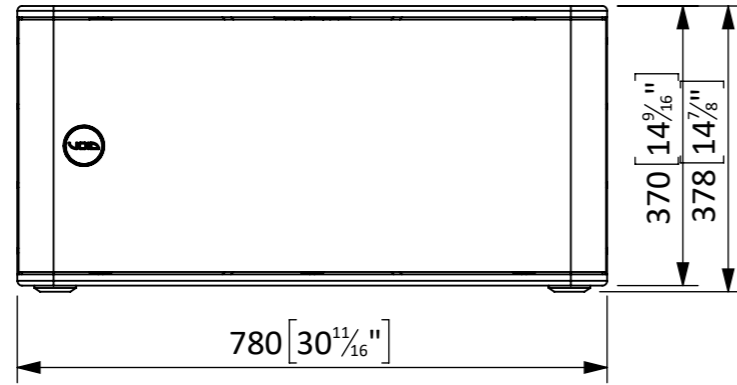


IF IN DOUBT ASK

ISSUE	DATE	DRAWN	ECR No	CHECKED	APPROVED
3	17/12/2018	SHEN	NEW DWG	DR	AS



FIXING FOR YOKE BRACKET
(SOLD SEPARATELY)

DIMENSIONS IN MILLIMETRES			
FABRICATION UNLESS OTHERWISE STATED		MACHINING UNLESS OTHERWISE STATED	
UP TO 300mm	+/-0.2mm	0, mm	+/- 0.5 mm
300mm-500mm	+/-0.5mm	0,0 mm	+/- 0.2 mm
500mm - 1m	+/-1.0mm	0,00mm	+/- 0.1mm
1m - 5m	+/-2.0mm	0,000mm	+/- 0.01mm
ANGULAR	±1°	ANGULAR	±0,5°

SURFACE TEXTURE VALUES IN MICROMETRES (µm) TO BS1134-PT2.
ALL MACHINED SURFACES TO BE $\sqrt{\text{ }}$ ALL SCREW THREADS TO BS3643 PT.2.

TITLE: OVERALL DIMENSION		DRAWING No. SP10061_001	
PROJECT: Venu 212 V2		SAP No. IT2764	
MATERIAL: SEE SPEC SHEET		EST. WEIGHT: (Kg) 47.5	
FINISH:		COLOUR: BLACK	TEXTURE:
THIRD ANGLE PROJECTION TO BS 8888		SCALE: 1:10	SHT 1 OF 1 SHTS
		SHEET: A3	

VOID
VOIDACOUSTICS.COM

REPRODUCTION OF ANY PART OF THIS DOCUMENT IS FORBIDDEN WITHOUT
PRIOR PERMISSION FROM VOID ACOUSTICS RESEARCH LTD.
Registered in England & Wales No. 07533536
© DESIGN COPYRIGHT RESERVED.
CONFIDENTIAL AND PROPRIETARY INFORMATION OF VOID ACOUSTICS RESEARCH LTD.