



XY-115S

XY Series

15-inch bass reflex subwoofer

A versatile PA/monitor speaker series that is compact in size and perfect for near-field monitoring - yet can deliver high-quality sound to the corners of the room.

KEY FEATURES

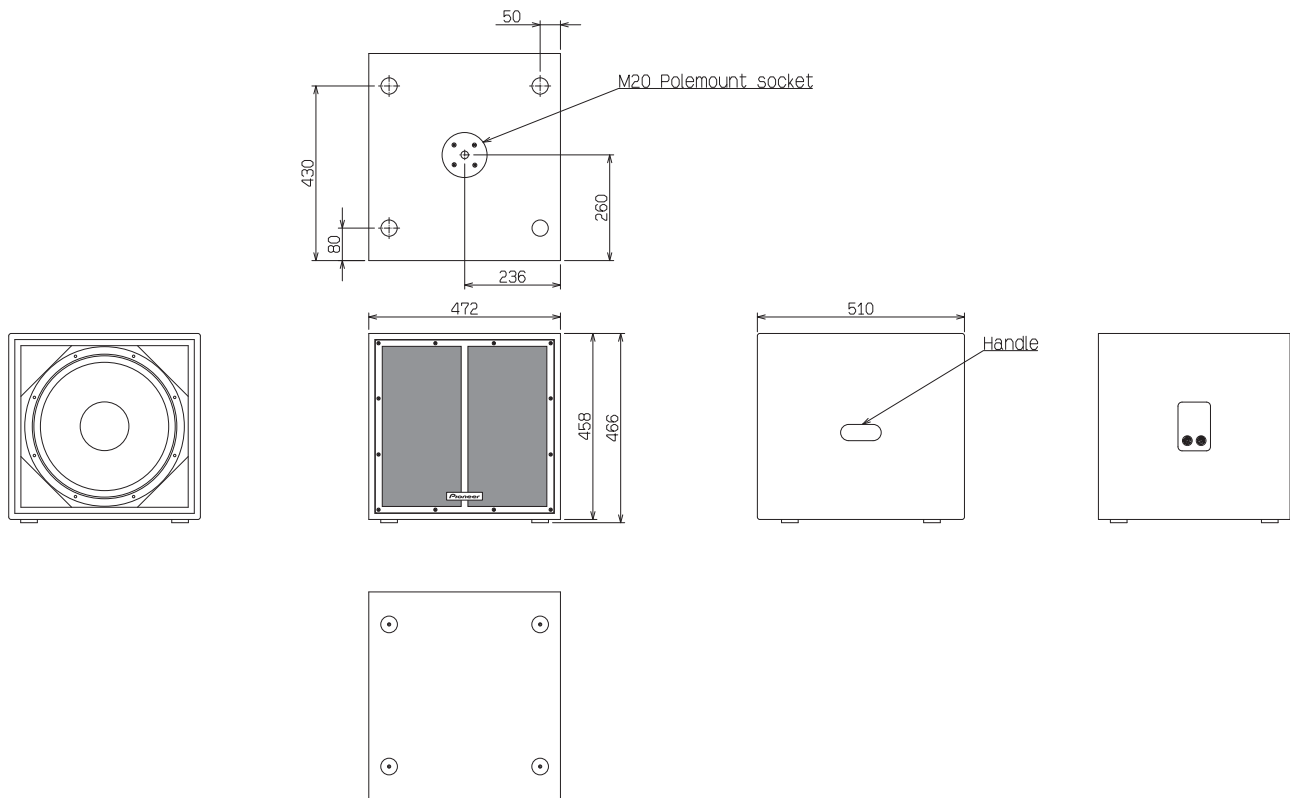
- High-power subwoofer with an 15-inch, low-frequency driver.
- Capable of reproducing deep bass as low as 45 Hz without distortion.
- Strong pillars installed in the cabinet ensure rigidity against the most powerful bass.
- Requires an active crossover to set the necessary frequency range (presets can be provided from Pioneer for combinations using the Pioneer XY-122, XY-101 and XY-81).
- NL4 INPUT and LINK OUT connections as standard.
- Pole mount for quick set-up with other Pioneer products.
- Robust enclosure made from premium multi-laminate birch plywood.

SPECIFICATIONS

Enclosure type	Single driver, reflex-loaded subwoofer
Frequency response	45 Hz to 150 Hz
Sensitivity (1 W/1 m)	96 dB (half space)
Nominal Impedance	8 Ω
Power Handling	700 W RMS, 1400 W Program
Maximum SPL	124 dB cont., 130 dB peak (half space)
Driver Configuration	15 inch (380 mm) neodymium LF cone driver
Connectors	2 x Neutrik SpeakON™ NL4
Dimensions (W x H x D)	472 mm x 466 mm x 510 mm (18.6 inch x 18.3 inch x 20.1 inch)
Weight	30 kg (66.1 lbs)
Rigging and Hardware	2 x flush handles (1 left/1 right), 1 x M20 polemount socket for mid/high enclosures, 4 x rubber feet (bottom) and 4 x mating recesses (top)
Grille	Hex punched steel
Enclosure	15 mm (0.6 inch) birch plywood
Finish	Impact-resistant, Black semi-matt textured
Suggested Power Amplifier	Recommended : K3DSP
Accessories	polemount socket cover (-W model only)

XY-115S

TECHNICAL DRAWING



APPLICATION

Clubs / Bars / Hotels / Touring



XY-115S-W