

EXPECT THE BEST
EXPECT THE BEST

Studiomaster

INSTA SUB8A



Studiomaster

**Unit 11,
Torc:MK
Chippenham Drive
Kingston
Milton Keynes
MK10 0BZ
United Kingdom.
Tel: +44(0)1908 281072 email: enquiries@studiomaster.com**

www.studiomaster.com

ECN JG2307165

**USER
GUIDE**

IMPORTANT SAFETY SYMBOLS



Use only with the cart, stand, tripod, bracket, or table specified by the manufacturer, or sold with the apparatus. When a cart is used, use caution when moving the cart/apparatus combination to avoid injury from tip-over.



The symbol is used to indicate that some hazardous live terminals are involved within this apparatus, even under the normal operating conditions, which may be sufficient to constitute the risk of electric shock or death.



The symbol is used in the service documentation to indicate that specific component shall be replaced only by the component specified in that documentation for safety reasons.



Protective grounding terminal



Alternating current/voltage



Hazardous live terminal

ON: Denotes the apparatus is turned on

OFF: Denotes the apparatus is turned off

WARNING: Describes precautions that should be observed to prevent the danger of injury or death to the operator.

CAUTION: Describes precautions that should be observed to prevent danger of the apparatus.

1. IMPORTANT SAFETY INSTRUCTIONS

- Read these instructions.
- Keep these instructions.
- Heed all warning.
- Follow all instructions.

• Water & Moisture

The apparatus should be protected from moisture and rain, can not used near water, for example: near bathtub, kitchen sink or a swimming pool, etc.

• Heat

The apparatus should be located away from the heat source such as radiators, stoves or other appliances that produce heat.

• Ventilation

Do not block areas of ventilation opening. Failure to do could result in fire. Always install accordance with the manufacturer's instructions.

• Object and Liquid Entry

Objects do not fall into and liquids are not spilled into the inside of the apparatus for safety.

• Power Cord and Plug

Protect the power cord from being walked on or pinched particularly at plugs, convenience receptacles, and the point where they exit from the apparatus.

Do not defeat the safety purpose of the polarized or grounding-type plug. A polarized plug has two blades with one wider than the other. A grounding type plug has two blades and a third grounding prong. The wide blade or the third prong is provided for your safety. If the provided plug does not fit into your outlet, refer

to electrician for replacement.

• Power Supply

The apparatus should be connected to the power supply only of the type as marked on the apparatus or described in the manual. Failure to do could result in damage to the product and possibly the user.

Unplug this apparatus during lightning storms or when unused for long periods of time.

Where the MAINS plug or an appliance coupler is used as the disconnect device, the disconnect device shall remain readily operable.

• Fuse

To prevent the risk of fire and damaging the unit, please use only of the recommended fuse type as described in the manual. Before replacing the fuse, make sure the unit turned off and disconnected from the AC outlet.

• Electrical Connection

Improper electrical wiring may invalidate the product warranty.

• Cleaning

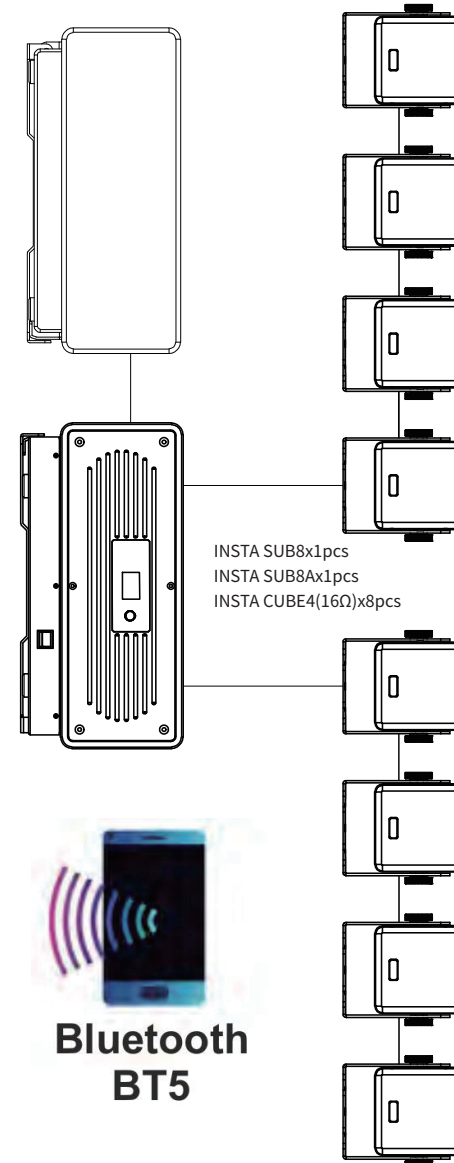
Clean only with a dry cloth. Do not use any solvents such as benzol or alcohol.

• Servicing

Do not implement any servicing other than those means described in the manual. Refer all servicing to qualified service personnel only.

- Only use accessories/attachments or parts recommended by the manufacturer.

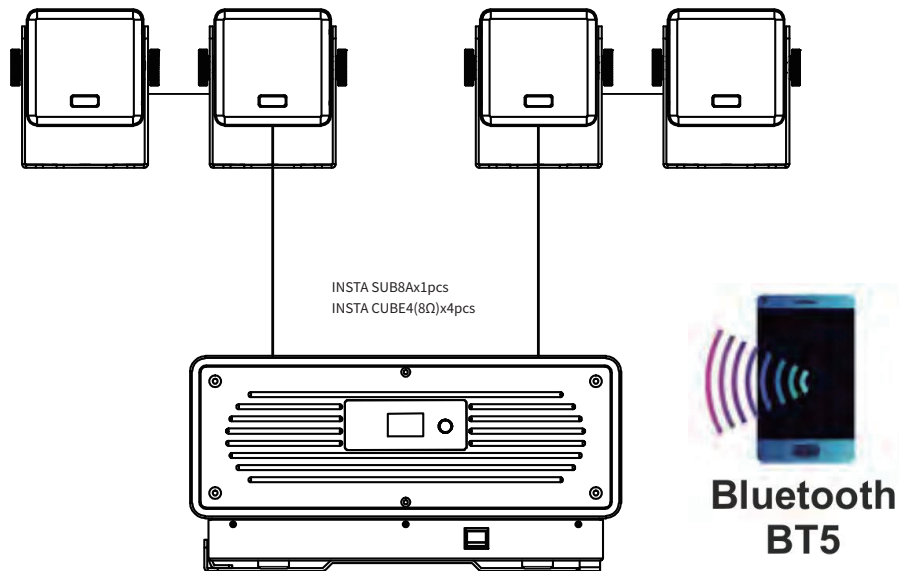
Configuration Method 2



System Connection

The INSTA SUB8A is equipped with a high-efficiency 3-way 400W/4 Ω "Class-D" power amplifier. One subwoofer can drive another passive subwoofer, and in the meantime power up to 4 (8 Ω) or 8 (16 Ω) INSTA CUBE4s. Below indicates a total of 2 configuration methods of a self-contained system powered by a single INSTA SUB8A (see system connection diagram for details).

Configuration Method 1



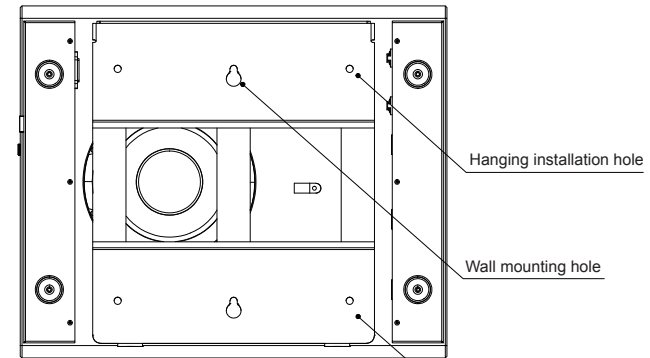
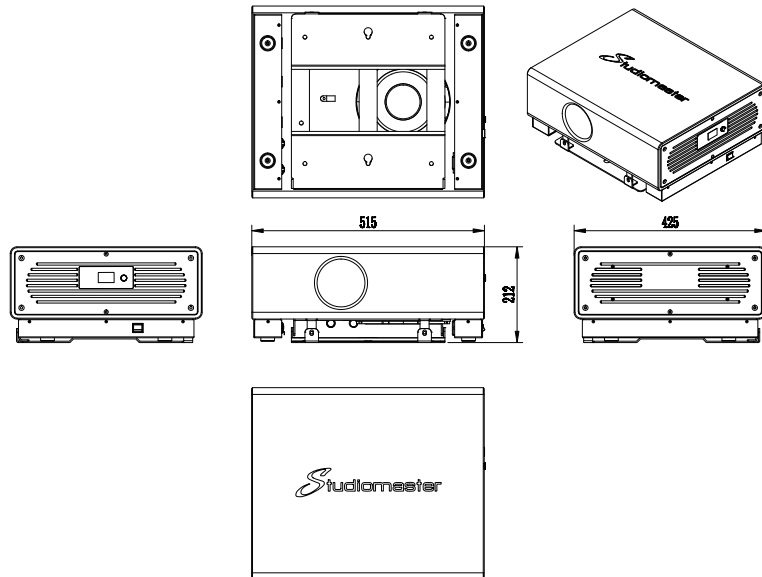
Product Introduction

INSTA SUB8A is an ultra-compact 8" active sub, composed of ϕ 38 core 8" LF units, which can be wall/ceiling mounted or concealed under furnitures, Built-in DSP speaker processing modules, with functions such as gain, crossover point, equalization, and program memory; Supports Bluetooth 5.0 signal connection, etc.

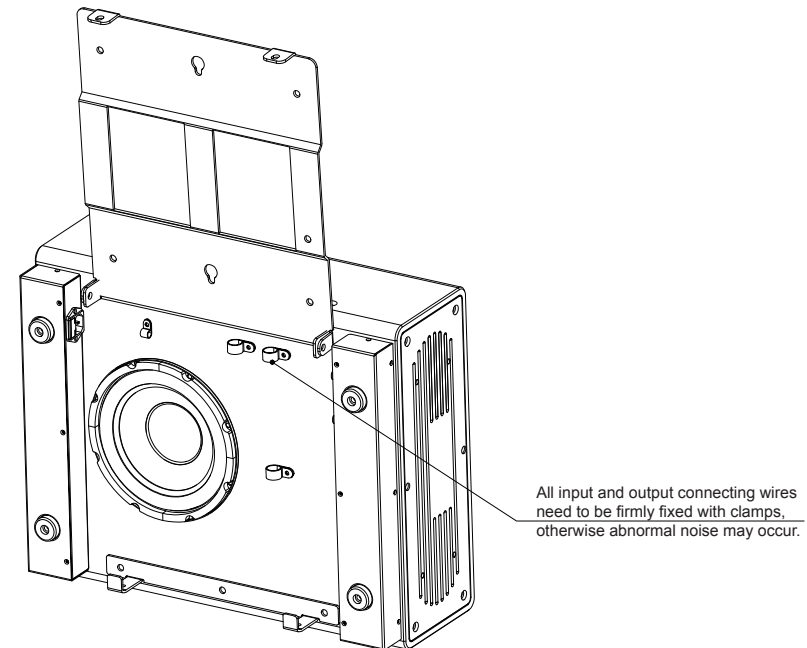
Application fields: retail stores, shopping centers, hotel lobbies, bar rooms, tea cafe, background music, etc

Main Performance Indicators:

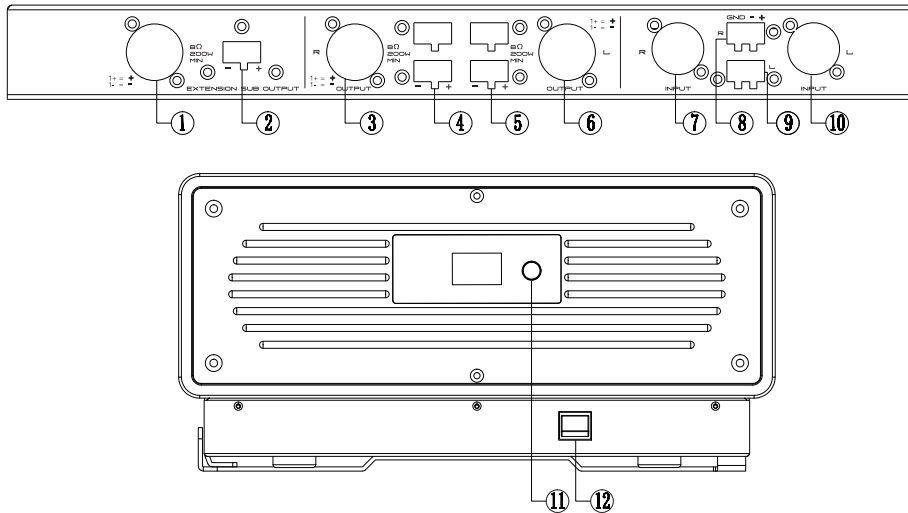
Model	INSTA SUB8A
Type	8 "active sub
Frequency Response(-10dB)	45Hz~120Hz
Input Sensitivity	0dBu
Max SPL	114dB (Peak)
Power Amplifier Power	3*400W(4Ω)
LF unit	φ 38-core voice coil 8 "ferrite LF unit
Dimension (WxHxD)	515*212*425(mm)
Power Supply	AC100V-240V
Weight	17kg



It is suggested to remove the wall mounted
The connecting wire needs to be firmly fixed with a clamp,
otherwise abnormal noise may occur.

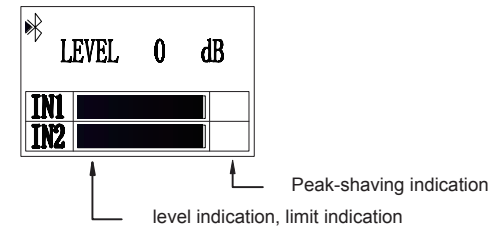


Function and Control



1. Output port: NL4MP output socket can be connected in parallel with an INSTA SUB8 passive subwoofer
2. Output port: Two-core terminal output port can be connected in parallel with an INSTA SUB8 passive subwoofer
3. Output port: NL4MP output socket (R) connected to INSTA CUBE4 full-range speaker
4. Output port: Two-core terminal output port (R) connected to INSTA CUBE4 full-range speaker
5. Output port: Two-core terminal output port (L) connected to INSTA CUBE4 full-range speaker
6. Output port: NL4MP output socket (L) connected to INSTA CUBE4 full-range speaker
7. Input port: (R) Signal input, COMBO socket, compatible with XLR and 6.35mm JACK plugs
8. Input port: (R) Three-core terminal signal input port
9. Input port: (L) Three-core terminal signal input port
10. Input port: (L) Signal input, COMBO socket, compatible with XLR and 6.35mm JACK plugs
11. Menu knob: DSP setting encoder, which can be pressed, rotated to set the menu, volume control, etc
12. Power switch: Set the switch to "on" to turn on the power of the machine; set the switch to "off" to turn off the power supply of the machine

DSP Menu Explanation



1. The total volume adjustable range is -80dB -0dB. (Refer to the above figure).
When there is a signal input in channel IN1 or IN2, the LCD display screen will display the level meter; (Refer to the above figure)
2. When Bluetooth is turned on, LCD displays the Bluetooth icon. When Bluetooth is not connected, the Bluetooth icon flashes; When Bluetooth is connected, the Bluetooth icon does not flash anymore.
3. Press the menu knob to enter the next level of menu. Turn the knob to select the function, and press the menu knob down to confirm.
The specific operation is as follows.

EXIT	Check this item Press the encoder button to exit the main menu
MODE	<ul style="list-style-type: none"> — MUSIC music mode LIE — LIVE mode — SPEECH speech mode — CLUB DJ mode
TREBLE	Set the tones of sound
MID	Set the tones of sound
BASS	Set the tones of sound
BT	<ul style="list-style-type: none"> — ON Bluetooth on — OFF Bluetooth off
SUB LEVEL	Low frequency gain setting: rotate the encoder to enter, press and turn the encoder to adjust the value ranging from -80dB to 10dB. (Note: a significant increase in EQ is very risky and may lead to a burnout at full-loaded state.)
CONTRAST	Display contrast adjustment; rotate the encoder to the CONTRAST option, press the encoder button, the display box to the contrast value setting position, rotate the encoder to select the corresponding value.
STORE	Storage for the setting mainly includes mode, full-range frequency adjustment value, volume value. In order to call the data the next time, maximumly 5 data can be stored distinguished by the number 1 to 5.
RECALL	Used to call the data stored inside the STORE
RESET	Rotate the encoder to RESET option, press the encoder button will clear all data, and this setting should be operated carefully
INFO	Version information