

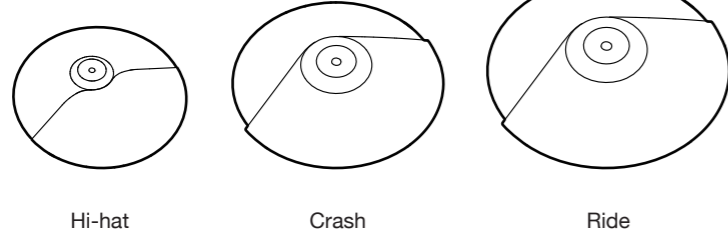
Setup Manual

WARNING

- Drum key can be pinched when adjusting clamps with drum key. Operate carefully.
- Be careful around pipe ends, inside the pipe, screw ends and metal shavings...etc. May injure your fingers

Check the included items

CYMBAL PAD

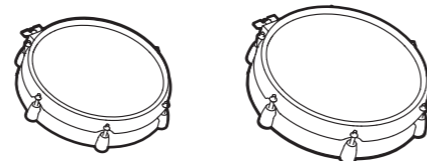


Hi-hat

Crash

Ride

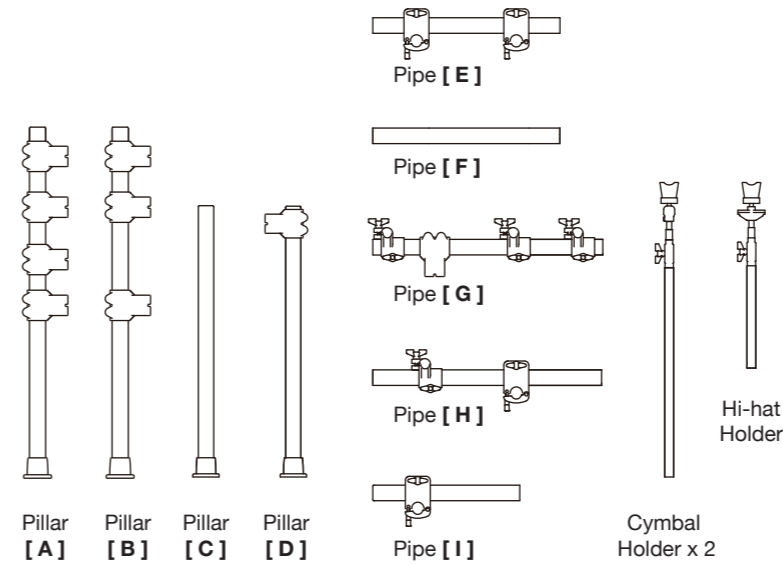
DRUM PAD



Tom 1 / Tom 2
(x 2)

Snare / Tom 3
(x 2)

DRUM STAND



Pillar [A]

Pillar [B]

Pillar [C]

Pillar [D]

Pipe [E]

Pipe [F]

Pipe [G]

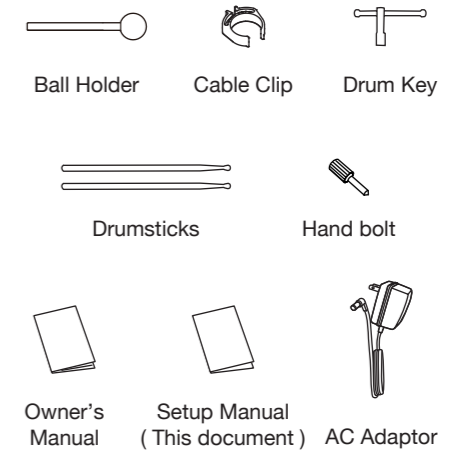
Pipe [H]

Pipe [I]

Cymbal Holder x 2

Hi-hat Holder

ACCESSORIES



Ball Holder

Cable Clip

Drum Key

Drumsticks

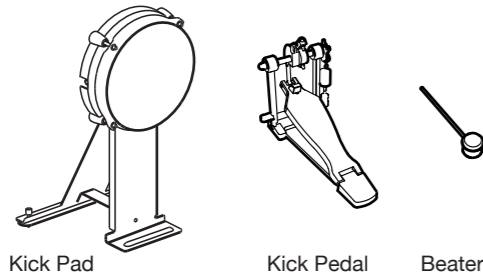
Hand bolt

Owner's Manual

Setup Manual
(This document)

AC Adaptor

KICK (PAD + PEDAL)

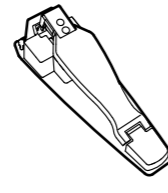


Kick Pad

Kick Pedal

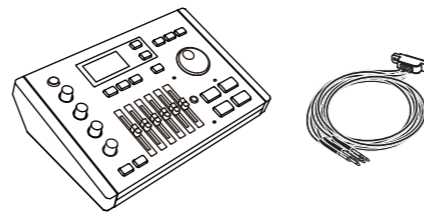
Beater

PEDAL



Pedal (Hi-hat)

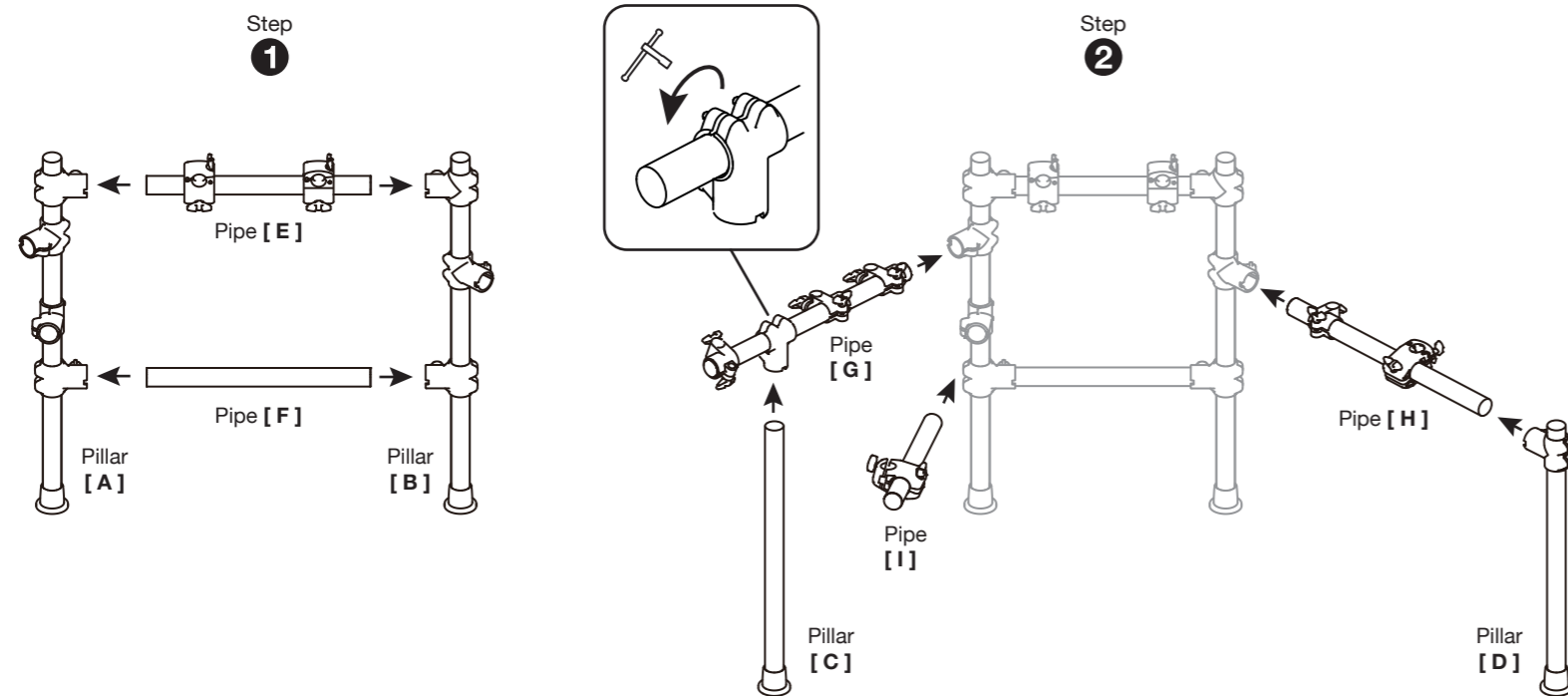
MODULE



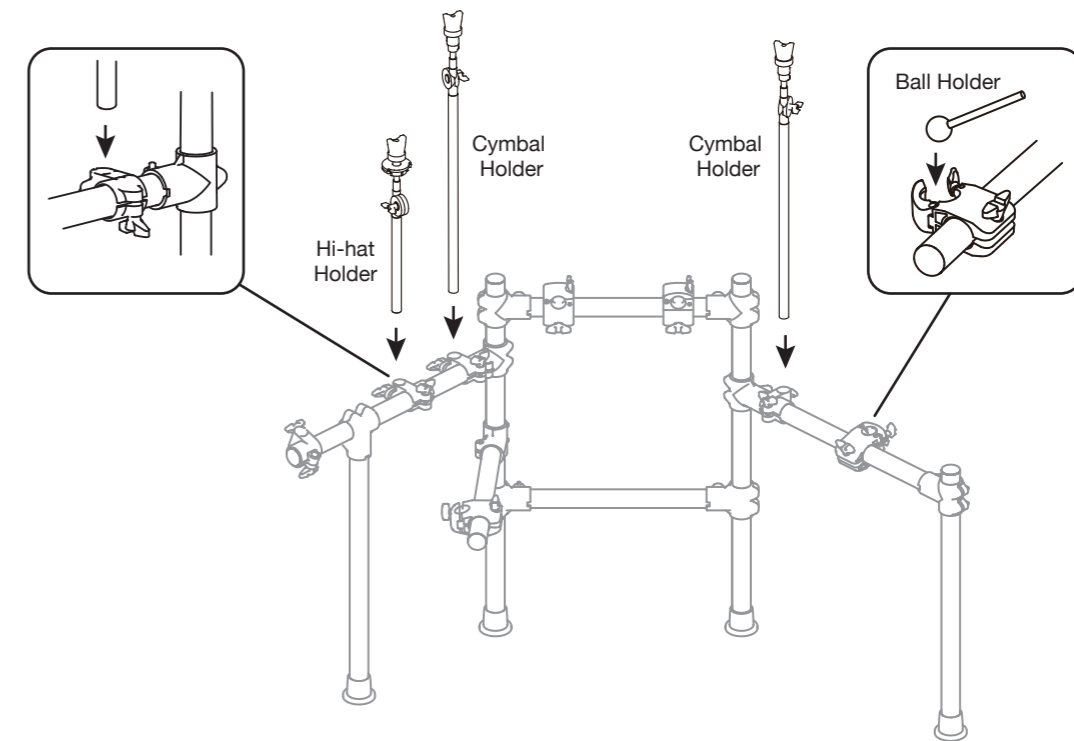
Drum Module

Connection Cable

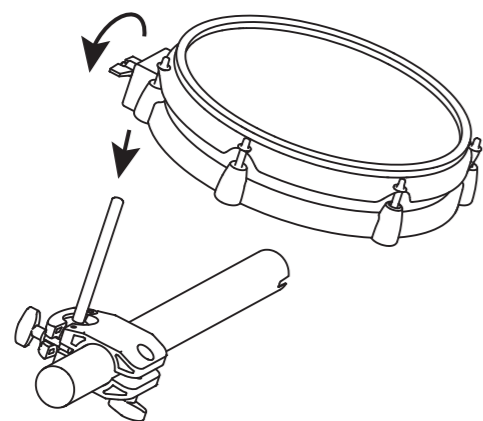
Assemble the Drum Stand



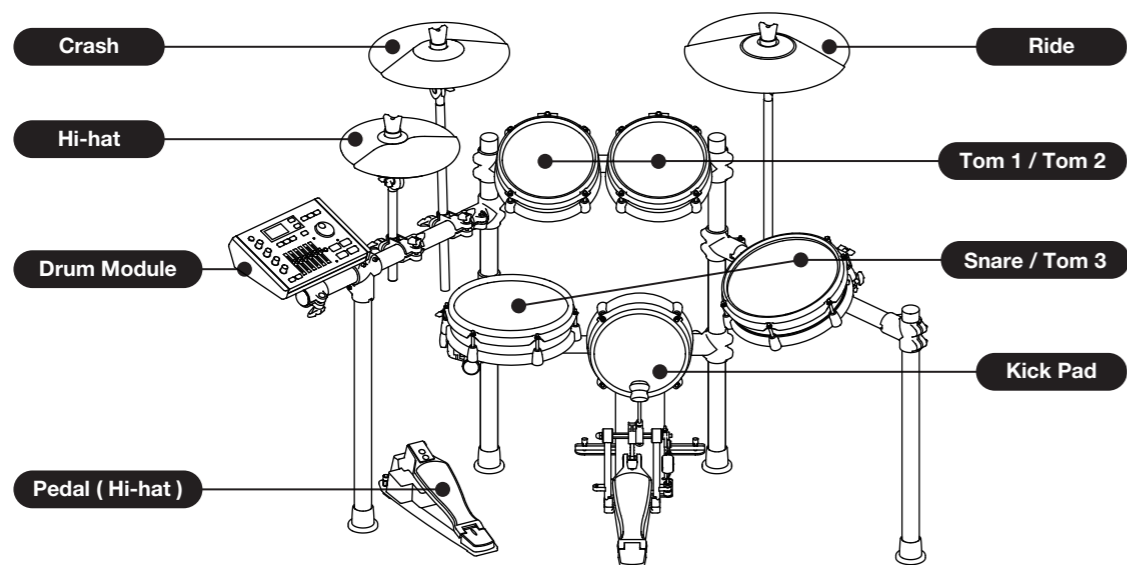
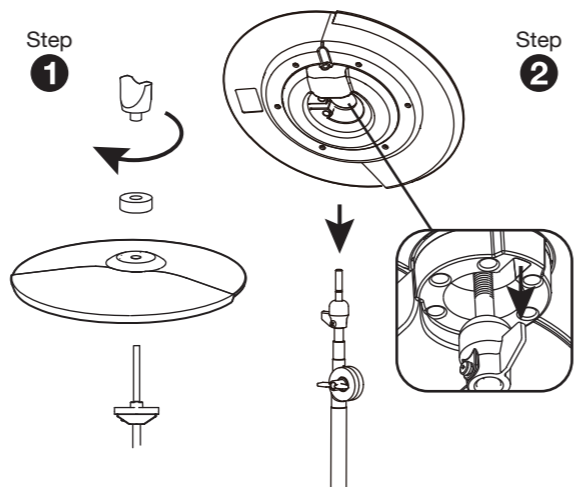
Attach the Pad, Hi-hat and Cymbal Holders



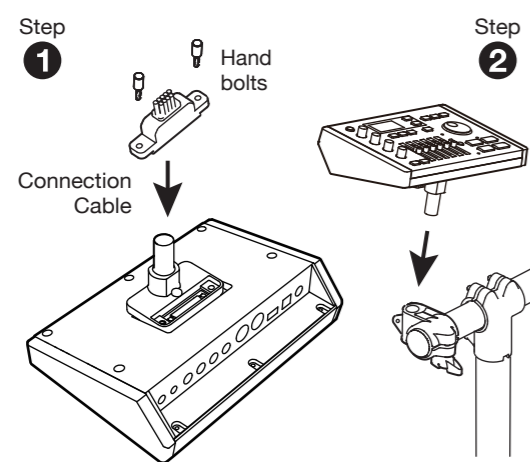
Attach the Drum Pad



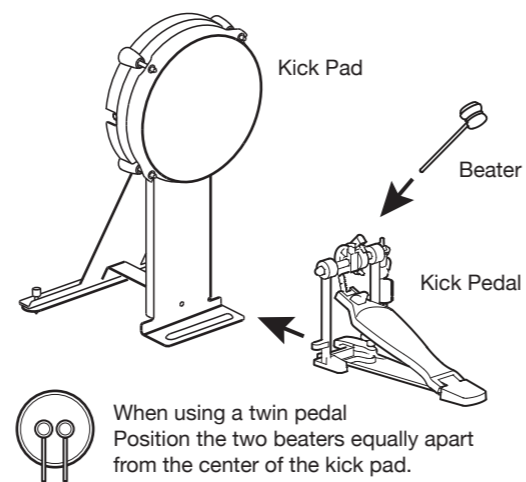
Attach the Cymbal Pad



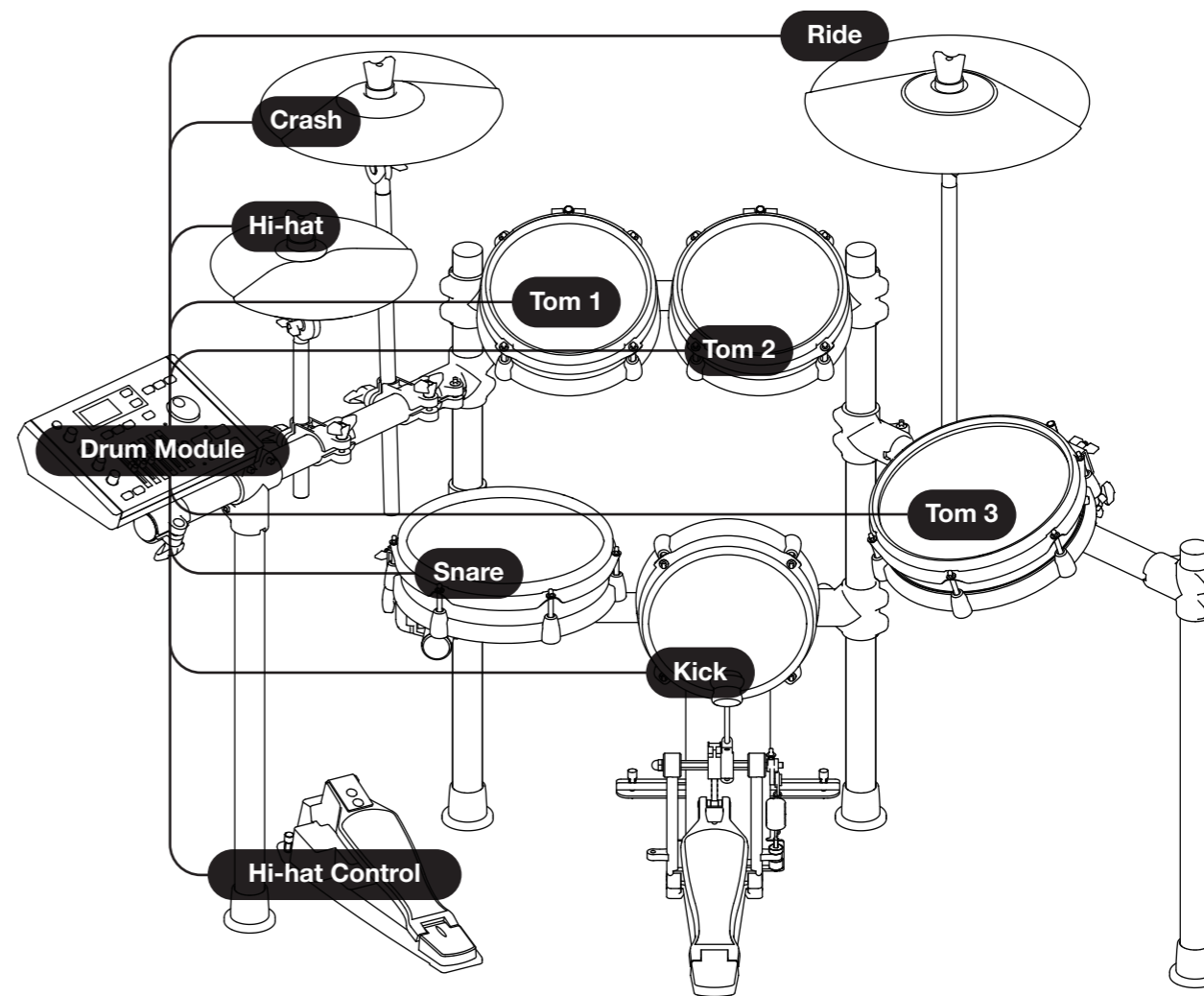
Attach the Drum Module



Attach the Kick Pad



Connect the Pads



Connect the Pads to the Drum Module with labelled cables.