



ZEPHIRO LOW FOG 700

700 Watt Low Fog Machine with wired and wireless control

Macchina per Fumo Basso da 700 Watt con comando a filo e radiocomando

User Manual

Manuale Utente

Carefully read this manual and properly take care of it
Leggete questo manuale e conservatelo per future consultazioni

Dear customer,

First of all thanks for purchasing a Centolight® product. Our mission is to satisfy all possible needs of light designers and professionals of entertainment lighting, by offering a wide range of products based on the latest technologies.

We hope you will be satisfied with this fixture and, if you want to collaborate, we are looking for a feedback from you about product operation and possible improvements to be introduced in the next future. Go to our website www.centolight.com and send an e-mail with your opinion; this will help us to build equipment ever closer to professional's real requirements.

The Centolight Team

Gentile Cliente,

Grazie per aver scelto un prodotto Centolight®. La nostra missione è quella di soddisfare ogni possibile richiesta da parte di light designers e professionisti dell'illuminotecnica per l'intrattenimento, offrendo una vasta gamma di apparecchiature basate su tecnologie di ultima generazione.

Speriamo di aver soddisfatto le vostre aspettative e, se voleste collaborare, saremo lieti di ricevere un vostro feedback sulla qualità del prodotto al fine di migliorare costantemente la nostra produzione. Visitate il nostro sito www.centolight.com ed inviateci una mail con la vostra opinione; questo ci aiuterà a sviluppare nuovi prodotti quanto più vicini alle vostre esigenze.

Il Team Centolight

TABLE OF CONTENTS

1 - Before You Start	4
1.1. What is included- - - - -	4
1.2. Unpacking Instructions - - - - -	4
1.3. Accessories - - - - -	4
1.4. Disclaimer - - - - -	4
2 - Safety Instructions	5
2.1. Symbols Meaning - - - - -	5
2.2. Safety Notes - - - - -	6
3 - Introduction	8
3.1. Features - - - - -	8
3.2. Product Dimensions- - - - -	9
3.3. Rear Panel - - - - -	9
4 - Product Overview	10
4.1. Mains Power & Fuse - - - - -	10
5 - Setting Up	10
5.1. Control Mode- - - - -	11
6 - Correct Use and Maintenance	12
6.1. Routine Maintenance And Common Faults - - - - -	13
7 - Specification	14
8 - Warranty And Service	15
9 - Warning EU and EEA (Norway, Iceland and Liechtenstein)	15

1 - BEFORE YOU START

Thank you for purchasing our Zephiro Low Fog 700. Enjoy your new equipment and make sure to read this manual carefully before operation! This user manual is made to provide both an overview of controls, as well as information on how to use them.

1.1. What is included

Package include:

- 1x Low Fog Machine
- 1x Power Cord
- 1x Remote Controller
- 1x Wired Controller
- This User Manual

⚠ ATTENTION: Packaging bag is not a toy! Keep out of reach of children!!! Keep in a safe place the original packaging material for future use.

1.2. Unpacking Instructions

Carefully unpack the product immediately and check the content to make sure all the parts are in the package and are in good condition. If the box or the contents (the product and included accessories) appear damaged from shipping, or show signs of mishandling, notify the carrier or dealer/seller immediately. In addition, keep the box and contents for inspection.

1.3. Accessories

Centolight can supply a wide range of quality accessories that you can use with your ZEPHIRO Series equipment, like Consumables, Cables, Splitters, DMX controllers, and a wide range of other fixtures.

All products in our catalogue has been long tested with this device, so we recommend you to use Genuine Centolight Accessories and Parts. Ask your Centolight dealer or check out our website www.centolight.com for any accessories you could need to ensure best performance of the product.

1.4. Disclaimer

The information and specifications contained in this User Manual are subject to change without notice. Centolight assumes no responsibility or liability for any errors or omissions and reserves the right to revise or to create this manual at any time.

Copyright© 2023 Centolight. All rights reserved.

2 - SAFETY INSTRUCTIONS

- Read these instructions
- Keep these instructions
- Heed all warning
- Follow all instructions

2.1 Symbols Meaning



The symbol is used to indicate that some hazardous live terminals are involved within this apparatus, even under the normal operating conditions, which may be sufficient to constitute the risk of electric shock or death.



The symbol is used to describe important installation or configuration problems. Not following advice and information on how to avoid such problems may lead to product malfunction.



Caution! This symbol indicates high temperature parts! In particular, the nozzle of the Zephiro Low Fog 700 can cause burns. Pay attention to high temperatures and avoid touching the nozzle.



This symbol indicates a protective grounding terminal.

WARNING:

Describes precautions that should be observed to prevent the danger of injury or death to the operator.



To protect the environment, please try to recycle packing material and exhausted consumables as much as possible.



Warning of Moisture Prevention: it reminds the operator to keep the machine and controller dry. Do not use them on rainy and snowy days.



Don't throw this product away just as general trash, please deal with the product following the abandon electronic product regulation in your country.

2.2 Safety Notes

Please read the following Safety Notes carefully before working with the product. They include important safety information about installation, usage, and maintenance.

1) Personal Safety

- Always connect the product to a grounded circuit to avoid the risk of electric shock. During heating up and operation, the housing will get hot: **do not touch**.
- The product is very hot during operation and it remains hot for a long time after operation has stopped. Do not touch the product's nozzle.
- Make sure that children, unauthorized people and animals do not have access to the machine.
- The operation noise is without harm to ear. No need to wear ear protection when close to the working machine.

2) Mounting

- The product is for indoor use therefore, in order to prevent risk of fire or shock, do not expose it to rain or moisture.

⚠ CAUTION: When transferring product from extreme temperature environments, (e.g. cold truck to warm humid ballroom) condensation may form on the internal electronics of the product. To avoid causing a failure, allow product to fully acclimate to the surrounding environment before connecting it to power.

- Do not use in a confined space. Always install the product in a location with adequate ventilation, at least 20 in (50 cm) from adjacent surfaces.
- Be sure that no ventilation slots on the product's housing are blocked.

3) Power and Wiring

- Always make sure that the voltage of the outlet to which you are connecting the product is within the range stated in paragraph "7 - Specification" on page 14 or rear panel of the product (AC220V- 50/60Hz).
- Make sure the power cord is not crimped or damaged. Never connect this product to a dimmer pack or rheostat.
- Never disconnect the product from power cord by pulling or tugging on the cord.
- To eliminate unnecessary wear and improve its lifespan, during periods of non-use completely disconnect the product from power via breaker or by unplugging it.
- To avoid electric shock, all fixtures must be connected to circuits with a suitable ground.

4) Water / Moisture

- The unit should be protected from moisture and rain, and can not be used near water; (for example near a bathtub, a kitchen sink, a swimming pool, etc.)

5) Heat

- The apparatus should be located away from heat sources such as radiators, stoves or other appliances that produce heat.



Don not use it when maximum ambient temperature is higher than 50°C Work temperature ranges from -10°C to 50°C (14°F to 122°F).

6) Fuse

- To avoid the risk of fire and damage to the unit, use only the type of fuse described in "7 - Specification" on page 14. Before replacing the fuse, make sure the device is switched off and unplugged.

7) Servicing

- Do not implement any servicing other than those means described in the manual. Refer all servicing to qualified service personnel only. The internal components of the equipment must be purchased from the manufacturer. Only use accessories/attachments or parts recommended by the manufacturer.

3 - INTRODUCTION

It is well known how the world of show business and entertainment is based on the fusion of music, images, lights and environmental effects. The sensory involvement of those who enjoy the entertainment event is increasingly present nowadays. Centolight knows very well this need and thanks to the Zephiro line it offers a wide range of machines for smoke, fog, bubbles, snow and more.

Zephiro Low Fog 700 is a powerful and compact low fog machine designed to produce a floor fog effect. It can generate a persistent and homogeneous fog that greatly enhances visual effects and light beams of any type of fixtures in settings such as theaters, photo and TV studios, film sets, discos, live events, etc.

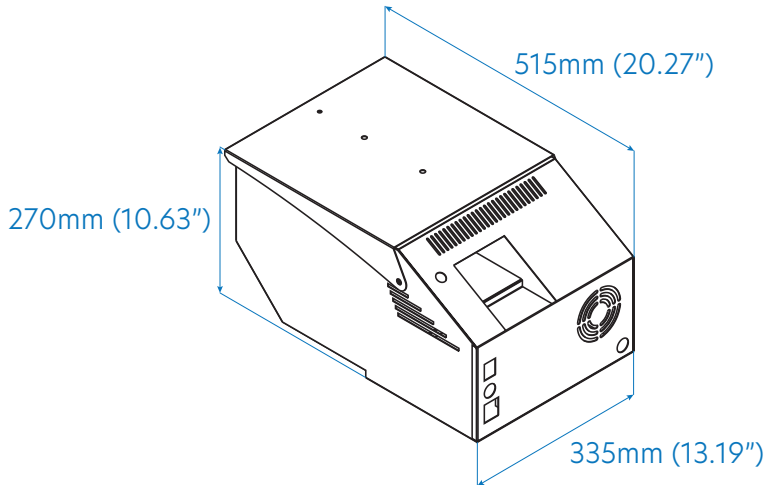
This machine is equipped with a wired control and it can also be used with a small radio control which, thanks to the built-in reception card, allows the use of the machine without connecting cables.

It is able to generate a fog volume of 170m³/min and cover an area of 30m³, thanks to a 700W heating system, a powerful pump and a 1 liter tank.

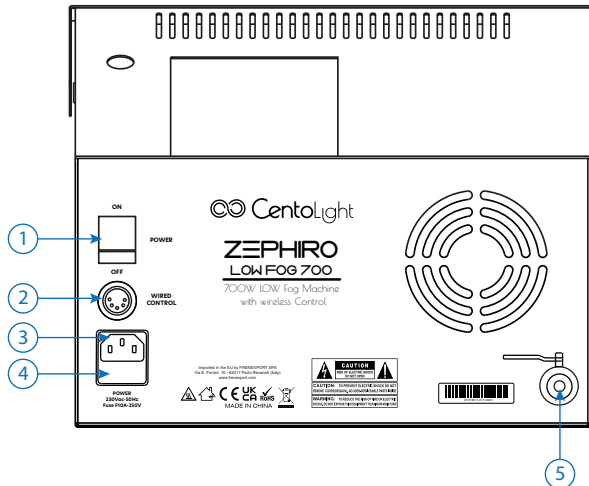
3.1. Features

- 170m³/Minute smoke output fills up a medium sized room quickly
- Continuous smoke output after a minimal warm-up time
- 1L Tank capacity
- Wired control to control smoke emission
- Remote controller to start and stop the smoke emission

3.2. Product Dimensions



3.3. Rear Panel



1. ON/OFF switch
2. Wireless Control Socket (5-pin XLR)
3. Power Inlet
4. Fuse Holder
5. Drain Spout

4 - PRODUCT OVERVIEW

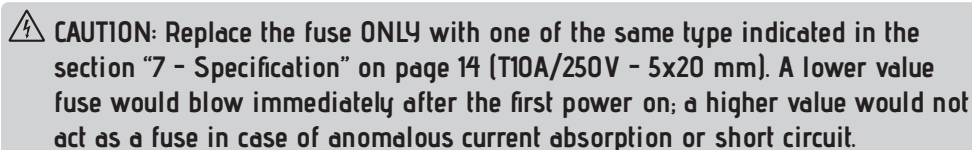
4.1 Mains Power & Fuse

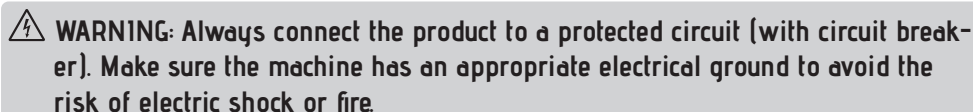
Power Inlet (3) - In case of loss or replacement of the cable, refer to the following table which shows the correspondence of the internal wires:

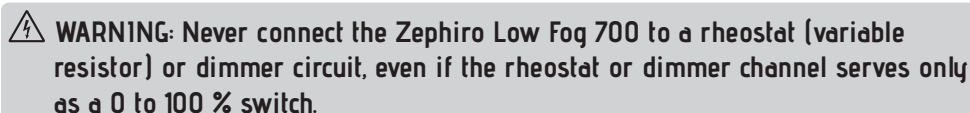
Cable (EU)	Pin	International
Brown	Live	L
Blue	Neutral	N
Yellow/Green	Earth	⊕

 **The earth must to be connected! Pay attention to the safety! Before taking into operation for the first time, the installation has to be approved by an expert.**

Fuse Holder (4) - In case you need to replace the fuse, make sure that the appliance is switched off, disconnect the input power plug, and remove the fuse holder cover with a screwdriver.

 **CAUTION:** Replace the fuse **ONLY** with one of the same type indicated in the section “7 - Specification” on page 14 (T10A/250V - 5x20 mm). A lower value fuse would blow immediately after the first power on; a higher value would not act as a fuse in case of anomalous current absorption or short circuit.

 **WARNING:** Always connect the product to a protected circuit (with circuit breaker). Make sure the machine has an appropriate electrical ground to avoid the risk of electric shock or fire.

 **WARNING:** Never connect the Zephiro Low Fog 700 to a rheostat (variable resistor) or dimmer circuit, even if the rheostat or dimmer channel serves only as a 0 to 100 % switch.

5 - SETTING UP

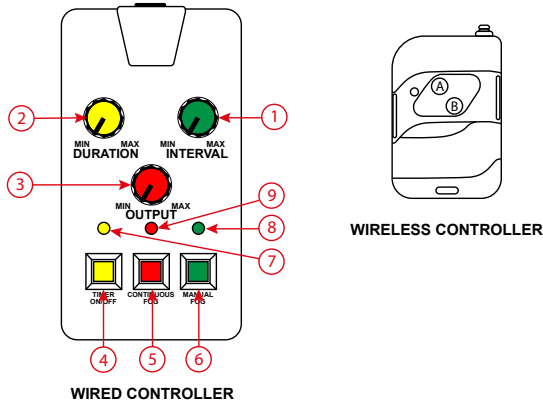
Keep Zephiro Low Fog 700 in horizontal position, do not tilt or flip. Before connecting this unit to mains, fill in the tank with fluid. Always use water-based fog fluid and check that nozzle is clean and unobstructed.

Put some ice blocks into the machine ice storage (it is better to use crushed ice).

Before connecting to power, check whether mains voltage is suitable for the unit or not.

Power cord should be plugged into a grounded electrical outlet. Once connected, put power switch to "ON", and the heating process, which lasts about 3 minutes, will start. After the warm-up process is complete, the fog machine is ready to use. Use the supplied wired or wireless control to operate the fog machine.

5.1 Control Mode



1) Wireless remote control

Once warm-up process is complete, press A or B button to emit fog. By pressing and holding for long, you can spray fog for a long time till the unit will need to warm up again. By releasing buttons, it will stop spraying fog.

2) Wireless Remote Battery Replacement

If the remote control cannot work (red LED does not light and machine does not operate), please check whether battery is low and need to be replaced.

To change the battery, remove the cover on the back of the remote control and replace the old battery with one of the same type (23A - 12V).

⚠ ATTENTION: Pay attention to respect the polarity. The two ends of the battery have a "+" (positive pole) and a "-" (negative pole) respectively. These marks are also present inside the battery compartment. Make sure the "+" of the battery is towards the "+" indicated in the battery compartment.

3) Wired Control

Connect the controller to the machine's rear panel through the 5-pin XLR connector.

- 1. Interval selection knob:** Adjusts timespan when timer is activated.
- 2. Duration selection knob:** Determines the duration when timer is active.

3. **Output intensity knob:** Adjusts fog emission from 0 to 100%.
4. **Timer function On/Off switch**
5. **Continuous fog switch:** When active, the machine emits fog continuously.
6. **Manual fog switch:** Fog projection at the selected output intensity, when pressed.
7. **Timer function On/Off indicator - Yellow LED**
8. **Manual fog indicator - Green LED**
9. **Continuous fog function On/Off indicator - Red LED**

6 - CORRECT USE AND MAINTENANCE

This fog machine should be used in dry and well-ventilated place . Please avoid any water or rain fall in the machines, if water and rain fall in, turn off the power immediately. Keep far away from children, fire, explosive and flammable things, and avoid scalding.

 **NOTE: In the first time use, some liquid might spray out. This is normal.**

- When liquid is getting low, please add it again in time. If the fog machine works without fluid for a long time, its pump and other parts could get damaged. When adding fluid, remember to turn power off, and carefully avoid spilling over to cause short circuits.
- The fog machine should work under professional operator's supervision, please do not add flammable liquids or gas into the fog fluid tank.
- When you don't use the machine for long time or after use, please disconnect power or unplug the power cable. After using, please wipe out the liquid in the tank, as it would avoid the housing to be corroded.
- All fog machines will have condensation or moisture around the Output Deflector. Small bits of fog may still be emitted just after the machine is turned off.
- All fog machines have heating-cooling cycles. When internal temperature drops to minimum, the pump automatically turns on and begins heating. Once heating is complete, the machine starts to spray fog again.
- In case of a serious operating problem, stop using the unit immediately. Never try to repair the unit by yourself. Repairs carried out by unskilled people can lead to damage or malfunction. Please contact the nearest authorized technical assistance center. Always use the same type of spare parts.
- Never connect the device to a dimmer pack.
- Make sure the power cable in never crimped or damaged and never disconnect it by pulling or tugging on the cable.

 **WARNING: Fog machines may set off Smoke Alarms.**

6.1 Routine Maintenance And Common Faults

 **ATTENTION: Periodically clean your machine to reduce replacement parts and repair expenses.**

- Poor fog liquid can cause blockage. It is recommended to use high quality fog liquid.
- The machine might get blocked due to high concentration fluid, not-pure fluid or overheat, so regular care and maintenance can ensure long-term use. After about 40 hours continue use, please prepare an 80% distilled water and 20% white vinegar blend to remove any accumulated impurities inside boiler and pipe, as following:
- Wash the pipe in the tank and its filter head.
- Pour out any liquid inside, and replace with the cleaning liquid (80% distilled water and 20% white vinegar), turn on power, keep it operating till the cleaning liquid runs out.
- If the fog emission diminishes, and the pump makes noise, switch off the unit immediately and check fluid level, fuse, controller interface and power plug. If all of these are normal, please connect power again. If problems still continue, please contact the supplier.
- When you shut down the machine, it is recommended that you remove any remaining fluid inside. Especially when the machine will not be used for a long time. It is recommended that you open the tank, remove the fluid hose and place it next to the tank in open air.
- After use, let the fog machine cool down before transporting it by the handle. Small bits of fog may still be emitted just after the machine is turned off. Let the machine cool down for at least 20 minutes and only transport it when the housing of the machine reaches a temperature that is comfortable enough to handle. Transporting the machine while it is still hot may cause injuries and permanent damage to the internal electronics and heating elements.

7 - SPECIFICATION

Heating Element	700 Watt
Warm-up time	3 Minutes
Tank capacity	1 Liter
Fog output	170m ³ /Min
Coverage Area	30m ³
Wireless remote controller included	Yes - 433,92 MHz (Max 10 Meters)
Wired controller included	Yes (Timer, Manual fog, Continuous fog)
Power requirements	220V AC, 50Hz
Internal fuse	10A 250V fast blow 20mm glass
Dimensions (DxWxH)	515 x 335 x 270 mm (20.27 x 13.19 x 10.63 in)
Weight	9 Kg - 19.84 lbs.
Packing Size (DxWxH)	540 x 420 x 300 mm (21.26 x 16.53 x 11.81 in)
Packing Weight	10.2 kg - 22.48 lbs.

Note: Our products are subject to a process of continual further development. Therefore modifications to the technical features remain subject to change without further notice.

8 - WARRANTY AND SERVICE

All Centolight products feature a limited two-year warranty. This two-year warranty starts from the date of purchase, as shown on your purchase receipt. The following cases/components are not covered by this warranty:

- Any accessories supplied with the product
- Improper use
- Fault due to wear and tear
- Any modification of the product effected by the user or a third party

Centolight shall satisfy the warranty obligations by remedying any material or manufacturing faults free of charge at Centolight's discretion either by repairing or exchanging individual parts or the entire appliance. Any defective parts removed from a product during the course of a warranty claim shall become the property of Centolight.

While under warranty, defective products may be returned to your local Centolight dealer together with the original proof of purchase. To avoid any damages in transit, please use the original packaging if available. Alternatively, you can send the product to Centolight SERVICE CENTER - Via Enzo Ferrari, 10 - 62017 Porto Recanati - Italy. In order to send a product to service center, you need an RMA number. Shipping charges have to be covered by the owner of the product.

For further information please visit www.centolight.com

9 - WARNING EU AND EEA (NORWAY, ICELAND AND LIECHTENSTEIN)

PLEASE READ CAREFULLY - This symbol indicates that this product is not to be disposed of with your household waste, according to the WEEE Directive (2012/19/EU) and your national law.



This product should be handed over to a designated collection point, e.g., on an authorized one-for-one basis when you buy a new similar product or to an authorized collection site for recycling waste electrical and electronic equipment (WEEE).

Improper handling of this type of waste could have a possible negative impact on the environment and human health due to potentially hazardous substances that are generally associated with EEE. At the same time, your cooperation in the correct disposal of this product will contribute to the effective usage of natural resources.

For more information about where you can drop off your waste equipment for recycling, please contact your local city office, waste authority, approved WEEE scheme or your household waste disposal service.

SOMMARIO

1 - Prima Di Iniziare	18
1.1. Cosa è Incluso	18
1.2. Istruzioni per il Disimballaggio	18
1.3. Accessori	18
1.4. Limiti di Responsabilità	18
2 - Istruzioni di Sicurezza	19
2.1. Significato dei simboli	19
2.2. Note sulla sicurezza	20
3 - Introduzione	22
3.1. Caratteristiche	22
3.2. Dimensioni del Prodotto	23
3.3. Pannello Posteriore	23
4 - Panoramica del Prodotto	24
4.1. Cavo di Rete e Fusibile	24
5 - Guida all'Uso	24
5.1. Modalità Di Controllo	25
6 - Uso Corretto e Manutenzione	26
6.1. Manutenzione Ordinaria E Guasti Comuni	27
7 - Specifiche Tecniche	28
8 - Garanzia e Assistenza	29
9 - Avviso UE e SEE (Norvegia, Islanda, Liechtenstein)	29

1 - PRIMA DI INIZIARE

Grazie per aver acquistato la Zephira Low Fog 700. Prima di iniziare, assicuratevi di leggere attentamente questo manuale; è stato creato per fornire sia una panoramica dei controlli, sia informazioni su come usarli.

1.1. Cosa è Incluso

La confezione include:

- 1x Macchina del fumo
- 1x Cavo di alimentazione
- 1x Radiocomando
- 1x Comando a filo
- Questo Manuale Utente

⚠ ATTENZIONE: La confezione non è un giocattolo! Tenere fuori dalla portata dei bambini! Conservare in un luogo sicuro per un uso futuro.

1.2. Istruzioni per il Disimballaggio

Tirare fuori dall'imballo il prodotto e controllare il cartone per assicurarsi che tutte le parti siano presenti e in buone condizioni. Se la confezione o il contenuto risultassero danneggiati dalla spedizione o mostrassero segni di maltrattamento, avvisare immediatamente il vettore o il rivenditore e conservare la scatola e il contenuto per una eventuale ispezione.

1.3. Accessori

Centolight fornisce un'ampia gamma di accessori che è possibile usare con le apparecchiature della serie ZEPHIRO; quali Materiali di Consumo, Cavi, Splitter, Controller DMX e un'ampia gamma di altre apparecchiature.

Tutti i prodotti nel catalogo Centolight sono stati testati a lungo con questo dispositivo, quindi ti consigliamo di usare sempre Accessori e Ricambi Originali Centolight. Chiedi al tuo rivenditore Centolight o controlla il nostro sito Web www.centolight.com per qualsiasi accessorio di cui potresti aver bisogno per garantire le migliori prestazioni del prodotto.

1.4. Limiti di Responsabilità

Le informazioni e le specifiche contenute in questo Manuale Utente sono soggette a modifiche senza preavviso. Centolight non si assume alcuna responsabilità per eventuali errori od omissioni e si riserva il diritto di rivedere o creare questo manuale in qualsiasi momento.

Copyright© 2023 Centolight. Tutti i diritti riservati.

2 - ISTRUZIONI DI SICUREZZA

- Leggete queste istruzioni
- Conservate queste istruzioni
- Prestate attenzione a tutti gli avvertimenti
- Seguite tutte le istruzioni

2.1. Significato dei simboli



Questo simbolo viene utilizzato per indicare che all'interno di questo apparecchio sono presenti terminali sotto tensione, anche in condizioni operative normali, che possono essere sufficienti a costituire il rischio di scosse elettriche o morte.



Questo simbolo è usato per descrivere importanti problemi di installazione o configurazione. Il mancato rispetto dei consigli e delle informazioni su come evitare tali problemi può portare al malfunzionamento del prodotto.



Attenzione! Questo simbolo indica parti ad alta temperatura! In particolare, l'ugello della Zephro Low Fog 700 può causare scottature. Prestare attenzione alle alte temperature ed evitare di toccare l'ugello.



Questo simbolo indica un terminale di messa a terra.

ATTENZIONE

Descrive precauzioni da osservare per prevenire lesioni o morte dell'operatore.



Per proteggere l'ambiente, cercare di riciclare il più possibile il materiale di imballaggio e i materiali di consumo esauriti



Avvertenza per prevenire gli effetti dell'umidità: ricorda all'operatore di mantenere asciutta la macchina e i materiali di consumo. Non utilizzarli in caso di pioggia e neve.



Non gettare questo prodotto come spazzatura generica, conferire il prodotto seguendo le normative sui rifiuti elettronici in vigore nel vostro paese.

2.2 Note sulla sicurezza

Leggere attentamente le seguenti Note sulla sicurezza prima di usare il prodotto. Sono riportate importanti informazioni su installazione, utilizzo e manutenzione.

1) Sicurezza Personale

- Collegare sempre il prodotto a un circuito con messa a terra per evitare il rischio di scosse. Durante il riscaldamento e il funzionamento, il telaio si surriscalda: **non toccare.**
- Il prodotto è molto caldo durante il funzionamento e rimane caldo a lungo dopo lo spegnimento. Non toccare l'ugello del prodotto.
- Assicurarsi che bambini, persone non autorizzate e animali non abbiano accesso alla macchina.
- Il rumore durante il funzionamento non provoca danni all'orecchio. Non è necessario indossare protezioni per le orecchie quando si è vicini alla macchina.

2) Montaggio

- Il prodotto è per uso interno pertanto, per prevenire il rischio di incendi o scosse, non esporre il prodotto direttamente a pioggia o umidità.

⚠ ATTENZIONE: Durante il trasferimento del prodotto da ambienti a temperature estreme (es: Da un Camion freddo a una sala da ballo calda e umida) potrebbe formarsi condensa all'interno del prodotto. Per evitare di provocare guasti, consentire al prodotto di acclimatarsi completamente all'ambiente circostante prima di collegarlo all'alimentazione.

- Non utilizzare in uno spazio ristretto. Installare sempre il prodotto in una posizione con ventilazione adeguata, ad almeno 50 cm (20 in) dalle superfici adiacenti.
- Assicurarsi che nessuna fessura di ventilazione del prodotto sia bloccata.

3) Alimentazione e Cablaggio

- Assicurarsi sempre che la tensione della presa alla quale si collega il prodotto sia compresa nell'intervallo indicato nella tabella "7 - Specifiche Tecniche" a pagina 28 o sul pannello posteriore del prodotto.
- Verificare che il cavo di alimentazione non sia piegato o danneggiato. Non collegare mai questo prodotto a un dimmer o a un reostato.
- Non scollegare mai il prodotto dal cavo di alimentazione tirando il cavo.
- Per attenuare l'usura e migliorarne la durata, durante i periodi di non utilizzo scollegare completamente il prodotto dall'alimentazione.

- Per evitare scosse elettriche, tutti gli apparecchi devono essere collegati a circuiti con messa a terra a norma.

4) Acqua / Umidità

- L'apparecchio deve essere protetto dall'umidità e dalla pioggia e non può essere utilizzato vicino all'acqua (ad es.: Vicino a una vasca, un lavello, ecc.)

5) Calore

- L'apparecchio deve essere posizionato lontano da fonti di calore come radiatori, stufe o altri apparecchi che producono calore.



Non utilizzare quando la temperatura ambiente è superiore a 50°C. La temperatura di lavoro va da -10°C a 50°C (da 14°F a 122°F).

6) Fusibile

- Per evitare il rischio di incendi e danni alle apparecchiature, utilizzare solo il tipo di fusibile descritto nella tabella "7 - Specifiche Tecniche" a pagina 28. Prima di sostituire il fusibile, assicurarsi che il dispositivo sia spento e scollegato.

7) Manutenzione

- Non eseguire interventi di assistenza diversi da quelli descritti nel manuale. Affidare tutte le riparazioni solo a personale qualificato. Utilizzare solo accessori/collegamenti o parti raccomandati dal produttore.

3 - INTRODUZIONE

E' noto come il mondo dello spettacolo e dell'intrattenimento si basi sulla fusione tra musica, immagini, luci ed effetti ambientali. Il coinvolgimento sensoriale di chi fruisce l'evento di intrattenimento è sempre più presente al giorno d'oggi. Centolight ha ben chiara questa esigenza ed attraverso la linea Zephiro offre una vasta gamma di macchine per fumo, nebbia, bolle, neve e altro ancora.

Zephiro Low Fog 700 è una macchina per fumo basso potente e compatta progettata per produrre un effetto nebbia a pavimento. È in grado di generare un fumo persistente ed omogeneo che valorizza al massimo gli effetti visivi e i fasci luminosi di qualsiasi tipo di faro in contesti quali teatri, studi fotografici e televisivi, set cinematografici, discoteche, eventi live, ecc.

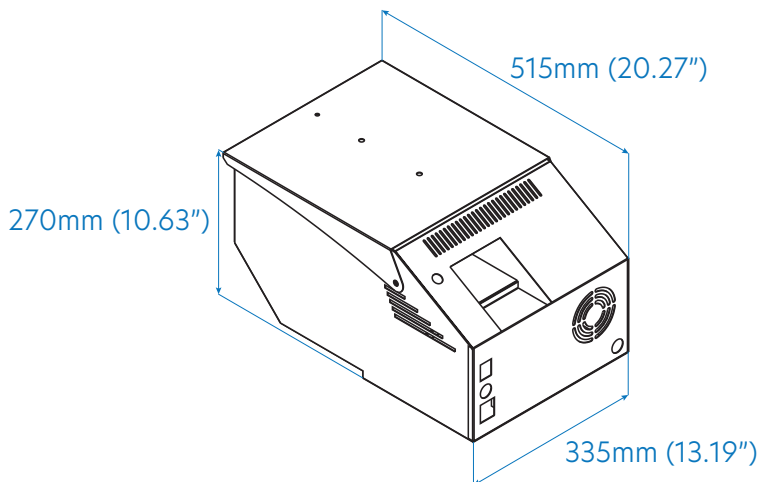
Questa macchina è dotata di un comando a filo e, inoltre, può essere utilizzata anche con un piccolo radiocomando che, grazie alla scheda di ricezione integrata, consente l'utilizzo della macchina senza cavi di collegamento.

Zephiro Low Fog 700 è in grado di generare un volume di nebbia di 170m³/min e di coprire un'area di 30m³, grazie a un sistema di riscaldamento da 700W, una potente pompa e un serbatoio da 1 litro.

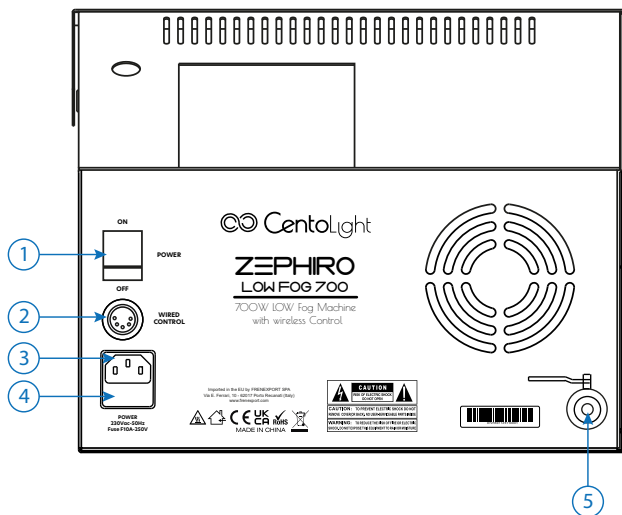
3.1. Caratteristiche

- Emissione di 170m³/Min., consente una copertura di ambienti medio/grandi
- Emissione continua di fumo dopo un tempo minimo iniziale di riscaldamento
- Capacità del serbatoio da 1 litro
- Controllo a filo per controllare l'emissione di fumo in uscita
- Radiocomando per attivare e disattivare l'emissione

3.2. Dimensioni del Prodotto



3.3. Pannello Posteriore



1. Interruttore ON/OFF
2. Ingresso per Comando a Filo (5-poli di tipo XLR)
3. Ingresso di Alimentazione (Connettore IEC)
4. Porta-Fusibile
5. Valvola di Scarico liquido

4 - PANORAMICA DEL PRODOTTO

4.1 Cavo di Rete e Fusibile

Connettore IEC (3) - In caso di smarrimento o sostituzione del cavo, fare riferimento alla seguente tabella che mostra la corrispondenza dei fili interni:

Colore Filo (EU)	Piedino	Internazionale
Marrone	Fase	L
Blu	Neutro	N
Giallo/Verde	Terra	⊕

⚠ **La terra deve essere sempre collegata! Prestare attenzione alla sicurezza! Prima di metterla in funzione, l'installazione deve essere approvata da un esperto.**

Porta-Fusibile (4) - Nel caso sia necessario sostituire il fusibile, assicurarsi che l'apparecchio sia spento, scollegare la spina di alimentazione in ingresso e svitare il coperchio del porta-fusibile mostrato sopra con un cacciavite a stella.

⚠ **ATTENZIONE:** Sostituire il fusibile **SOLO** con uno dello stesso tipo indicato nella sezione "7 - Specifiche Tecniche" a pagina 28 (T10A / 250V - 5x20 mm). Un fusibile inferiore si brucerebbe alla prima accensione; un valore superiore non proteggerebbe in caso di assorbimento di corrente anomalo o cortocircuito.

⚠ **ATTENZIONE:** collegare sempre il prodotto a un circuito protetto (con interruttore automatico). Assicurarsi che la macchina disponga di una messa a terra adeguata per evitare il rischio di scosse elettriche o incendi.

⚠ **ATTENZIONE:** Non collegare mai Zephiro Low Fog 700 a un reostato (resistenza variabile) o a un circuito dimmer, anche se il reostato o il canale dimmer serve solo come interruttore da 0-100%.

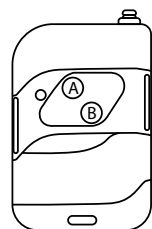
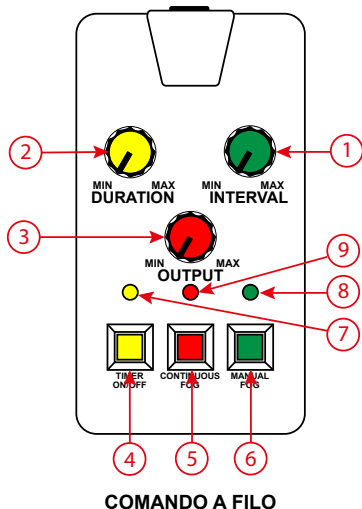
5 - GUIDA ALL'USO

Tenere la Zephiro Low Fog 700 in posizione orizzontale, non inclinare o capovolgere. Prima di collegare alla rete, riempire il serbatoio con il liquido. Utilizzare sempre un fluido a base di acqua e controllare che l'ugello sia pulito e non ostruito. Mettere del ghiaccio nella ghiacciaia della macchina (è meglio usare il ghiaccio tritato).

Prima di collegare l'alimentazione, verificare se la tensione di rete è adatta all'unità o meno.

Il cavo di alimentazione deve essere collegato a una presa elettrica dotata di messa a terra. Una volta collegato, accendi la macchina con l'interruttore corrispondente e inizierà il processo di riscaldamento che durerà circa 3 minuti, dopo di che la macchina del fumo sarà pronta per l'uso. Servirsi del comando a filo o del radiocomando in dotazione per utilizzare la macchina.

5.1 Modalità Di Controllo



RADIOCOMANDO

1) Radiocomando

Una volta pre-riscaldato, premere il pulsante A o B per emettere il fumo. Tenendoli premuti a lungo, è possibile spruzzare il fumo a lungo finché l'unità non necessita nuovamente il riscaldamento. Rilasciando i pulsanti, l'emissione di fumo termina.

2) Sostituzione della Batteria

Se il telecomando non funziona (il LED non si accende e la macchina non emette fumo premendo i tasti A o B), controllare che la batteria non sia scarica e da sostituire. Per cambiare la batteria, rimuovere il coperchio sul retro del telecomando e sostituire la vecchia batteria con una dello stesso tipo (23A - 12V).

⚠ AVVISIO: Prestare attenzione a rispettare la polarità. Le due estremità della batteria hanno rispettivamente un polo negativo “+” (polo positivo) e un polo negativo “-”. Questi segni sono presenti anche all’interno del vano batteria. Assicurarsi che il “+” della batteria sia verso il “+” indicato nel vano batteria.

3) Comando a Filo

Collegare il controller al pannello posteriore della macchina tramite il connettore XLR a 5 poli.

1. **Manopola di selezione dell'intervallo:** Regola l'intervallo di tempo quando il timer è attivato.
2. **Manopola di selezione della durata:** Determina la durata quando il timer è attivo.
3. **Manopola dell'intensità di uscita:** Regola l'emissione di nebbia da 0 a 100%.
4. **Interruttore ON/OFF della funzione Timer**
5. **Interruttore per nebbia continua:** Quando è attivo, la macchina emette continuamente nebbia.
6. **Interruttore manuale per nebbia:** Quando viene premuto, il dispositivo emette nebbia all'intensità di uscita selezionata.
7. **Funzione Timer ON/OFF - LED Giallo**
8. **Indicatore di emissione nebbia in modalità manuale - LED Verde**
9. **Funzione di nebbia continua ON/OFF - LED Rosso**

6 - USO CORRETTO E MANUTENZIONE

Questa macchina fumo deve essere usata in luogo asciutto e ben ventilato. Si prega di evitare qualsiasi infiltrazione di acqua o pioggia all'interno. Se ciò avviene, spegnere immediatamente. Tenere lontano dalla portata di bambini, fuoco, materiale esplosivo o infiammabile.

 **Al primo utilizzo, potrebbe fuoriuscire del liquido. E' normale.**

- Quando il liquido sta finendo, si prega di effettuare il rabbocco al più presto. Se la macchina funziona a lungo senza fluido, la pompa e altre parti potrebbero danneggiarsi. Quando si aggiunge il fluido, spegnere l'alimentazione e fare attenzione a non versare il liquido fuori dalla tanica per evitare cortocircuiti.
- La macchina del fumo deve funzionare sotto la supervisione di un operatore esperto; non aggiungere liquidi infiammabili o gas nel serbatoio del liquido per nebbia.
- Quando non si utilizza l'apparecchio per un lungo periodo di tempo o dopo l'uso, scollegare l'alimentazione o scollegare il cavo di alimentazione. Dopo l'uso, pulire il liquido nel serbatoio, così da evitare la corrosione l'alloggiamento.
- Tutte le macchine per il fumo hanno condensa o umidità intorno all'ugello, e tutte emettono costantemente una piccola quantità di fumo durante o dopo l'uso.
- Tutte le macchine per il fumo hanno cicli di riscaldamento e raffreddamento.

Quando la temperatura interna scende al minimo, la pompa si accende automaticamente e inizia a riscaldarsi. Al termine del riscaldamento, la macchina inizia a spruzzare nuovamente il fumo.

- In caso di seri problemi di funzionamento, interrompere immediatamente l'utilizzo dell'unità. Non tentare mai di riparare l'unità da soli. Le riparazioni eseguite da persone non qualificate possono causare danni o malfunzionamenti. Rivolgersi al centro di assistenza tecnica autorizzato più vicino. Utilizzare sempre lo stesso tipo di ricambi.
- Non collegare mai il dispositivo a un dimmer pack.
- Assicurarsi che il cavo di alimentazione non sia mai piegato o danneggiato e non scollegarlo mai tirando o strattinando il cavo.

 **Le macchine fumo possono attivare i sensori di fumo degli Allarmi Antincendio.**

6.1. Manutenzione Ordinaria E Guasti Comuni

 **Pulire periodicamente la macchina per eventuali costi per riparazioni e parti di ricambio.**

- Un liquido qualitativamente scarso può causare il blocco del dispositivo. Si consiglia di utilizzare un liquido per fumo di alta qualità.
- La macchina potrebbe bloccarsi a causa di fluido ad alta concentrazione, di fluido non puro o di surriscaldamento, pertanto una cura e una manutenzione regolare possono garantire il funzionamento più a lungo. Dopo circa 40 ore di uso, si suggerisce di preparare un 80% di acqua distillata e il 20% di miscela di aceto bianco per rimuovere eventuali impurità accumulate all'interno della caldaia e del tubo. Quindi effettuare le seguenti operazioni:
- Lavare il tubo nel serbatoio e la testa del filtro.
- Eliminare tutti i liquidi all'interno e sostituirli con il liquido detergente (80% di acqua distillata e 20% di aceto bianco), accendere l'alimentazione, mantenerla in funzione fino a quando il liquido di pulizia non si esaurisce.
- Se l'emissione di fumo diminuisce e la pompa fa rumore, spegnere immediatamente l'unità e controllare il livello del fluido, il fusibile, l'interfaccia del controllo a filo e la spina di alimentazione. Se tutti questi sono normali, collegare nuovamente l'alimentazione. Se i problemi persistono, contattare il fornitore.
- Quando si spegne la macchina, si consiglia di rimuovere il liquido rimanente all'interno soprattutto quando la macchina non verrà utilizzata per un lungo periodo. Si suggerisce di aprire il serbatoio, rimuovere il flessibile del fluido e posizionarlo vicino al serbatoio all'aria aperta.
- Dopo l'uso, lasciare raffreddare la macchina prima di trasportarla utilizzando la maniglia. Piccoli spruzzi di nebbia possono ancora essere emessi subito dopo lo spegnimento della dispositivo. Lasciare che questo si raffreddi per almeno 20 minuti e trasportarlo solo quando l'alloggiamento raggiunge una temperatura sufficientemente confortevole da poter essere maneggiato. Il trasporto della

macchina quando è ancora calda può causare lesioni e danni permanenti all'elettronica interna e alle resistenze.

7 - SPECIFICHE TECNICHE

Sistema di riscaldamento	700 Watt
Tempo di riscaldamento	Circa 3 Minuti
Capacità del serbatoio	1 Litro
Emissione fumo	170m ³ /Min
Area di copertura	30m ³
Radiocomando incluso	Si - 433,92 MHz (Max 10 Metri)
Comando a filo incluso	Si (Timer, Emissione manuale, Emissione continua)
Alimentazione	220V AC, 50Hz
Fusibile interno	10A - 250V 20mm rapido
Dimensioni (PxLxA)	515 x 335 x 270 mm (20.27 x 13.19 x 10.63 in)
Peso	9 Kg - 19.84 lbs.
Dimensioni Imballo (PxLxA)	540 x 420 x 300 mm (21.26 x 16.53 x 11.81 in)
Peso Imballo	10.2 kg - 22.48 lbs.

Nota: i nostri prodotti sono soggetti a un processo di sviluppo continuo. Pertanto le modifiche alle caratteristiche tecniche restano soggette a modifiche senza preavviso.

8 - GARANZIA E ASSISTENZA

Tutti i prodotti Centolight sono coperti da garanzia di due anni. Essa è valida dalla data di acquisto, come indicato dal documento di acquisto. I seguenti casi/componenti non sono coperti dalla garanzia di cui sopra:

- Tutti gli accessori forniti con il prodotto
- Uso improprio
- Guasto dovuto all'usura
- Ogni modifica del prodotto effettuata dall'utente o da terzi

Centolight soddisfa gli obblighi di garanzia dovuti a eventuali materiali non conformi o difetti di fabbricazione, rimediando gratuitamente e a discrezione di Centolight, sia mediante riparazione o sostituendo singole parti o l'intero apparecchio. Eventuali parti difettose rimosse da un prodotto durante il corso di una richiesta di garanzia diventano di proprietà di Centolight.

Durante il periodo di garanzia, i prodotti difettosi possono essere restituiti al rivenditore Centolight con prova di acquisto originale. Per evitare danni durante il trasporto, si prega di utilizzare l'imballo originale (se disponibile). In alternativa, inviare il prodotto a SERVICE CENTER Centolight - Via Enzo Ferrari, 10 - 62017 Porto Recanati - Italia. Per inviare un prodotto al centro di assistenza è necessario un numero di RMA. Le spese di trasporto devono essere coperte dal proprietario del prodotto.

Per ulteriori informazioni visitate il sito www.centolight.com

9 - AVVISO UE E SEE (NORVEGIA, ISLANDA, LIECHTENSTEIN)

LEGGETE ATTENTAMENTE - Questo simbolo indica che il prodotto non deve essere smaltito con i rifiuti domestici, in base alla direttiva RAEE (2202/96/CE) e legislazione nazionale.



Il prodotto deve essere consegnato a un centro di raccolta differenziata o, in caso di ritiro dell'usato quando si acquista un nuovo prodotto simile, ad un rivenditore autorizzato per il riciclaggio di apparecchiature elettriche ed elettroniche (WEEE).

Un uso improprio di questo tipo di rifiuti può avere un impatto negativo sull'ambiente e sulla salute umana a causa di sostanze potenzialmente pericolose che sono generalmente associate alle apparecchiature elettriche ed elettroniche. Allo stesso tempo, la vostra collaborazione per il corretto smaltimento di questo prodotto contribuirà a un utilizzo efficace delle risorse naturali.

Per ulteriori informazioni sui punti di raccolta delle apparecchiature da rottamare, contattate il comune, l'autorità di gestione dei rifiuti, strutture coinvolte nel sistema RAEE o il servizio di smaltimento dei rifiuti domestici.



www.centolight.com



This product is imported in EU by
Questo prodotto viene importato nella UE da

FRENEXPORT SPA - Via Enzo Ferrari, 10 - 62017 Porto Recanati - Italy

Centolight® is a registered trademark of FRENEXPORT SPA - Italy
Centolight® è un marchio di fabbrica registrato di FRENEXPORT SPA - Italia



www.centolight.com