



Portrait Q-Air Mini

4x12W RGBWAUV 6in1 Mini battery LED Par
4x12W RGBWAUV 6in1 Mini Par LED a batteria

User Manual

Manuale Utente

Carefully read this manual and properly take care of it
Leggete questo manuale e conservatelo per future consultazioni



Dear customer,

First of all thanks for purchasing a CENTOLIGHT® product. Our mission is to satisfy all possible needs of light designers and professionals of entertainment lighting, by offering a wide range of products based on the latest technologies.

We hope you will be satisfied with this fixture and, if you want to collaborate, we are looking for a feedback from you about product operation and possible improvements to be introduced in the next future. Go to our website www.centolight.com and send an e-mail with your opinion; this will help us to build equipment ever closer to professional's real requirements.

The CENTOLIGHT Team

Gentile Cliente,

Grazie per aver scelto un prodotto CENTOLIGHT®. La nostra missione è quella di soddisfare ogni possibile richiesta da parte di light designers e professionisti dell'illuminotecnica per l'intrattenimento, offrendo una vasta gamma di apparecchiature basate su tecnologie di ultima generazione.

Speriamo di aver soddisfatto le vostre aspettative e, se voleste collaborare, saremo lieti di ricevere un vostro feedback sulla qualità del prodotto al fine di migliorare costantemente la nostra produzione. Visitate il nostro sito www.centolight.com ed inviateci una mail con la vostra opinione; questo ci aiuterà a sviluppare nuovi prodotti quanto più vicini alle vostre esigenze.

Il Team CENTOLIGHT

TABLE OF CONTENTS

1 - Before you Start	4
2 - Safety Instructions	5
2.1. Symbols Meaning - - - - -	5
3 - Introduction	6
3.1. Features - - - - -	6
3.2. Fixture Sizes - - - - -	7
3.3. Soft bag Sizes (not Included) - - - - -	8
3.4. Fixture Elements and Connectors - - - - -	8
3.5. Power Input Connection - - - - -	9
3.6. Fixture Placement - - - - -	9
4 - DMX Control	12
4.1. Wired DMX Control - - - - -	12
4.2. DMX Terminator - - - - -	12
4.3. DMX Addressing - - - - -	13
5 - Wireless DMX Control	13
5.1. ID code and LED Color - - - - -	14
5.2. Wireless DMX Operation - - - - -	14
6 - Menu Functions	15
6.1. Dimmer Refresh Rate - - - - -	15
6.2. DMX Control Mode - - - - -	16
6.3. Master/Slave Mode - - - - -	16
6.4. Sound Mode - - - - -	17
6.5. Auto Mode - - - - -	18
6.6. IR Remote Control - - - - -	18
7 - Maintenance	19
7.1. General Maintenance - - - - -	19
7.2. Battery Charging and Maintenance - - - - -	20
7.3. Battery Replacement - - - - -	20
7.4. Battery Safety and Disposal Instructions - - - - -	21
8 - Specifications	22
9 - Warranty And Service	23
10 - Warning	24

1 - BEFORE YOU START

Thank you for purchasing PORTRAIT Q-Air Mini. Enjoy your new equipment and make sure to read this manual carefully before operation! This user manual is made to provide both an overview of controls, as well as information on how to use them.

1) What is included

- 1x PORTRAIT Q-Air Mini Par Light
- 1x Remote Control
- 1x Male DMX XLR to RJ45 DMX cable
- 1x Female DMX XLR to RJ45 DMX cable
- 1x 16.8V Power Supply
- This User Manual

⚠ ATTENTION: Packaging bag is not a toy! Keep out of reach of children!!! Keep in a safe place the original packaging material for future use.

If anything got damaged during transport, notify the shipper immediately and keep the packing material for inspection. If the fixture must be returned to the manufacturer, it is important that it is returned in the original manufacturer box and packing. Please do not take any action without first contacting us.

2) Accessories

CENTOLIGHT can supply a wide range of quality accessories that you can use with your PORTRAIT Series equipment, like Cables, Splitters, DMX controllers, Consumables, and a wide range of other fixtures.

All products in our catalogue has been long tested with this device, so we recommend you to use Genuine CENTOLIGHT Accessories and Parts. Ask your CENTOLIGHT dealer or check out our website www.centolight.com for any accessories you could need to ensure best performance of the product.

3) Disclaimer

The information and specifications contained in this User Manual are subject to change without notice. CENTOLIGHT assumes no responsibility or liability for any errors or omissions and reserves the right to revise or to create this manual at any time.

Copyright© 2024 CENTOLIGHT. All rights reserved.

2 - SAFETY INSTRUCTIONS

- Read these instructions
- Keep these instructions
- Heed all warning
- Follow all instructions

2.1 Symbols Meaning



The symbol is used to indicate that some hazardous live terminals are involved within this apparatus, even under the normal operating conditions, which may be sufficient to constitute the risk of electric shock or death.



The symbol is used to describe important installation or configuration problems. Not following advice and information on how to avoid such problems may lead to product malfunction.



This symbol indicates a protective grounding terminal.

WARNING:

Describes precautions that should be observed to prevent the danger of injury or death to the operator.



To protect the environment, please try to recycle packing material and exhausted consumables as much as possible.



Don't throw this product away just as general trash, please deal with the product following the abandon electronic product regulation in your country.



This symbol indicates that the fixture is intended to indoor use only. Keep the machine dry and do not expose to rain and moisture.



Locate the fixture in a well ventilated spot, away from any flammable materials and/or liquids. The fixture must be fixed at least 50cm from surrounding walls

1) Servicing

- Do not implement any servicing other than those means described in the manual. Refer all servicing to qualified service personnel only. The internal components of the equipment must be purchased from the manufacturer. Only use accessories/attachments or parts recommended by the manufacturer.

3 - INTRODUCTION

PORTRAIT Q-Air Mini is a battery-powered (or mains-powered) PAR, specifically designed for rental applications. You can easily control it by choosing among IR remote control, wired DMX-512 connection, Wireless DMX, Auto Run, Master/Slave, Sound Active control.

The lighting emitting system consists of 4pcs 12W RGBWA+UV 6in1 high-brightness LEDs with a life-span of approximately 50,000 hours. Each LED features a high-quality lens with 15° beam angle and 29° field angle, making this PAR ideal for wash use.

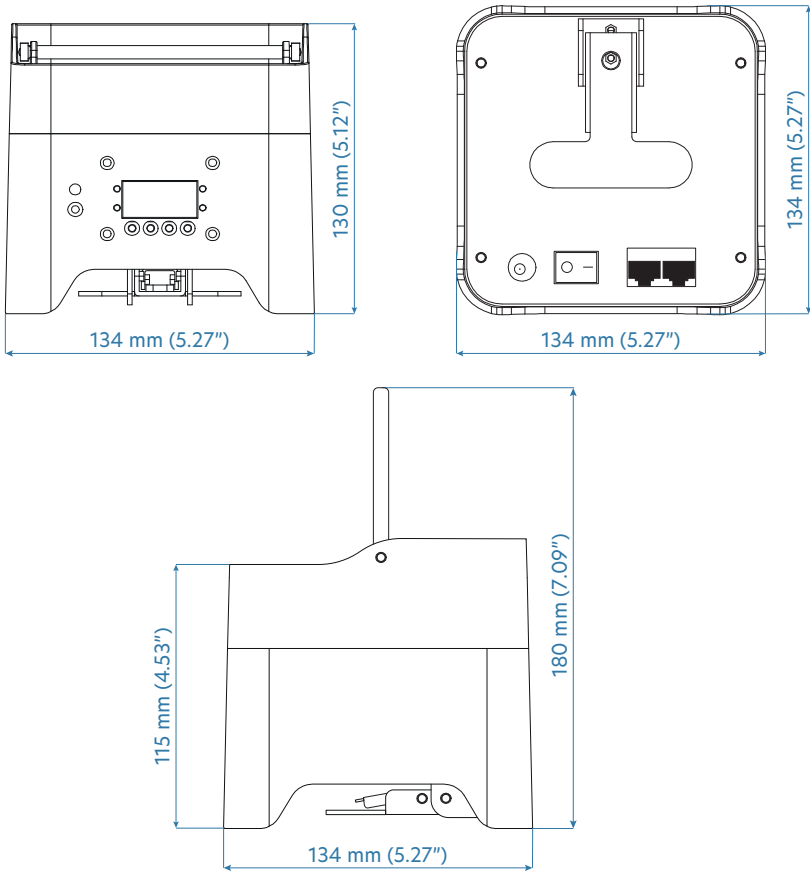
The PORTRAIT Q-Air Mini has a highly compact housing, and can be fit inside 300x300mm truss to create wonderful wash effect inside the truss structure. The fixture can sit on even and solid floor and work as an up-light. It also has a built-in adjustable tilt support. By pushing the tile support, the fixture tile can move up to 25° to wash walls or facades.

The high-efficiency lithium battery guarantees a complete charge from zero within about 5 hours, and a working duration ranging from 4 hours (full color mode) to 15 hours (single color mode). The infrared remote control allows remote control of the main functions without the use of DMX.

3.1 Features

- 4x 12W RGBWA+UV 6in1 high-efficiency and long-life LEDs
- 15° Beam angle
- 29° Field angle
- CRI ≥ 90
- Flicker-Free Operation
- Wireless 2.4 GHz DMX-512 control
- DMX-512 wired control
- IR remote control
- Autor Run, Master/Slave, Sound Active controls
- Independent Electronic Strobe, 0-20 times per second with adjustable speed.
- DMX-512 Channels: 6CH / 10CH
- 0°-25° adjustable tilt support
- LCD Display with intuitive interface
- Rechargeable Lithium-Ion Battery for up to 15-hour operation

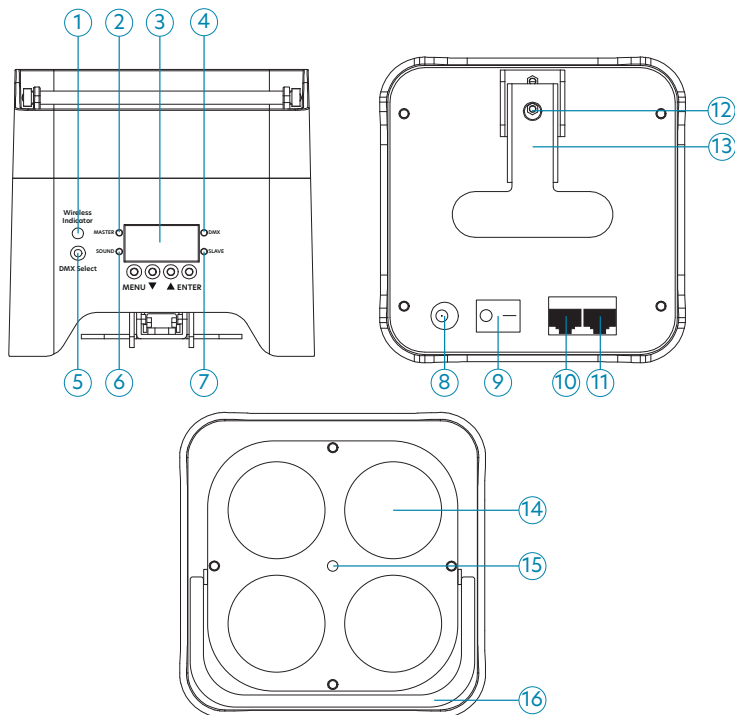
3.2. Fixture Sizes



3.3. Soft bag Sizes (not Included)



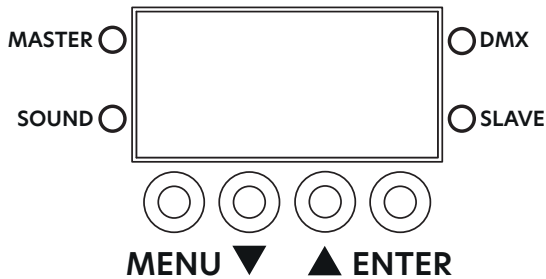
3.4. Fixture Elements and Connectors



- | | | |
|----------------------------|-----------------------|-----------------------------|
| 1. Wireless indicator | 4. Slave indicator | 12. M10 hole for clamp |
| 2. Master indicator | 7. Slave indicator | 13. Adjustable Tilt support |
| 3. LCD display | 8. Power supply Input | 14. LED diodes |
| 4. DMX indicator | 9. Power Switch | 15. IR Sensor |
| 5. DMX selection button | 10. DMX Input | 16. Handle |
| 6. Sound control indicator | 11. DMX Output | |

1) Control Panel

It is composed by a LCD Display and 4 buttons: **MENU**, **DOWN**, **UP** and **ENTER**.



- **Menu:** Press MENU button until the desired option appears
- **Enter:** Enter the current menu or confirm the current function value
- **Up ▲:** Scroll "UP" through the menu list to increase the value of current function
- **Down ▼:** Scroll "DOWN" through the menu list to decrease value of current function

3.5. Power Input Connection

- Always make sure that the voltage of the outlet you are connecting the product to is within the range stated in paragraph "8 - Specifications" on page 22.
- Make sure the power cord is not crimped or damaged. Never connect this product to a dimmer pack or rheostat.
- Never disconnect the product from power cord by pulling or tugging on the cord.

3.6. Fixture Placement

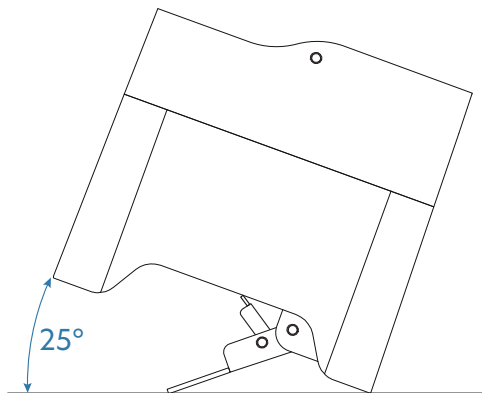
The PORTRAIT Q-Air Mini can be mounted in several ways.

1) Truss Warmer

The fixture has a highly compact housing, and can be fit inside 300x300mm truss as truss warmer.

2) Uplight Use

The PAR can sit on even and solid floor and work as an uplight. It also has a built-in adjustable tilt support which can tilt the fixture up to 25 degrees to wash walls or facades.



Make sure that the fixture is always placed on even and strong enough surface, and keep it 0.5m away from projection objects.

3) Rigging

The PORTRAIT Q-Air Mini is equipped with a threaded M10 hole for a clamp. You can then hang the fixture on a truss or other type of hanging structure. Please check the light accessory lineup on www.centolight.com for further details.

When install the fixture to crossbar or truss, always use an extra safety cord (not supplied with the fixture). Users also need to make sure the crossbar is stable or not moving, and can support a weight of 19 kg (fixture net weight 1.9kg).

⚠ Pay attention to safety! Please respectively consider the EN 60598-2-17 and the national standard during the installation. The authorized dealer must only carry out the installation.

The installation of the fixture has to be built and constructed in a way that it can hold 10 times the weight for 1 hour without any harming demolition. The installation must always be secured with a secondary safety attachment, e.g. an appropriate catch net. This secondary safety attachment must be constructed in a way that no part of the installation can fall down if the main attachment fails.

When rigging, unmount or servicing the fixture, staying in the area below the installation place, on bridges, under high working places and other endangered areas is forbidden. The operator has to make sure that the safety measure and the

machine's technical installation is approved by an expert before taking into operation for the first time and after changes before taking into operation another time. He has also to make sure that an expert approves safety measure and the machine's technical installation once a year.

⚠ WARNING: The fixture should not be installed in outside areas where persons may walk by or be seated.

⚠ IMPORTANT: Overhead rigging requires extensive experience, including (but not limited to) calculating working load limits, installation material being used, and periodic safety inspection of all installation material and the projector. If you lack these qualifications, do not attempt the installation yourself, but instead use a professional structural rigger. Improper installation can result in bodily injury or property loss.

- If the fixture must be raised to/or lowered from the ceiling or by suspended beams, it is advisable to use professional trussing systems.
- In case of installation on a wall, ceiling or truss, the use of safety rope such as the LW3-76A or the LW4-76A (sold separately) and clamps such as the SLH/SQC series is required (sold separately). Visit www.centolight.com for more details.
- For overhead use, also consider that a safety rope must hold at least 10 times the weight of the fixture. The fixture must never be left to swing freely.

⚠ CAUTION: Fixture may cause severe injuries when crashing down. If you have doubts concerning the safety of a possible installation, do not install the fixture!

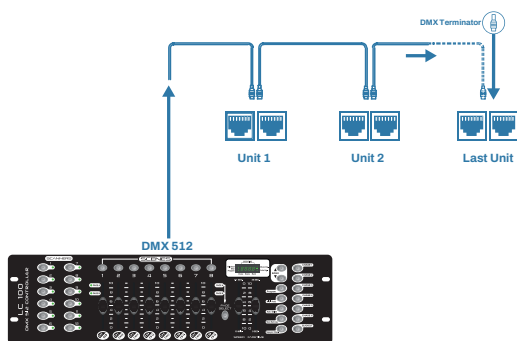
⚠ CAUTION: Use two appropriate clamps to rig the fixture on the truss. Make sure that the device is fixed properly! Ensure that the structure (truss) to which you are attaching the fixtures is secure.

⚠ DANGER OF FIRE! When installing the device, make sure there is no highly inflammable material (decoration articles, etc.) within a distance of minimum 0.5 meter.

4 - DMX CONTROL

4.1 Wired DMX Control

DMX fixtures are designed to receive data through a serial Daisy Chain. A Daisy Chain connection is where the DATA OUT of one fixture connects to the DATA IN of the next fixture. The order in which the fixtures are connected is not important and has no effect on how a controller communicates to each fixture. Use an order that provides for the easiest and most direct cabling.

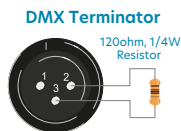


Connect machines using RJ45 DMX cables with male to male connectors.

⚠ When use a DMX controller, please make sure that there is no interference sources (e.g. intercom, high frequency radio waves and radiation source).

4.2 DMX Terminator

DMX is a resilient communication protocol, however errors still occasionally occur. In order to prevent electrical noise from disturbing and corrupting the DMX control signals, a good habit is to connect DMX output of last fixture in the chain to a DMX terminator, especially over long signal cable runs.



The DMX terminator is simply an XLR connector with a 120Ω (ohm), 1/4 Watt resistor connected across Signal (-) and Signal (+), respectively, pins 2 and 3, which is then plugged into the output socket on last projector in the chain. The connections are illustrated below.

⚠ Complimentary signal cable can transmit signals to 20 unit fixtures at most. Signal amplifier is a must to connect more fixtures.

4.3. DMX Addressing

To each fixture must be assigned a DMX address so that the correct fixture responds to the correct control signals. This DMX address is the channel number from which the fixture starts to “listen” to the digital control information being sent out from the controller.

The PORTRAIT Q-Air Mini has 2 DMX channel modes: 6 and 10 DMX channels. To set up fixture DMX address, first select DMX channel mode by following up the paragraph “6.2. DMX Control Mode” on page 16. The highest DMX address for this fixture is 512. To set up fixture DMX starting address, follow the steps below:

- Press the “MENU” button until “Addr” shows on the display, then press “ENTER”.
- Press the “UP” or “DOWN” button to choose between 1 and 512.
- Press “ENTER” to confirm your selection.


5 - WIRELESS DMX CONTROL

Your PORTRAIT Q-Air Mini can be remotely controlled by DMX-512 wireless transmitters.

The fixture is equipped with a 2.4GHz wireless DMX512 interface that works within 2,400-2,525 GHz license-free band. Maximum distance is 300m (without obstacles). This wireless feature, considering that the PORTRAIT Q-Air Mini is a battery-powered fixture, gets rid of relying on connecting cables completely, and also can ensure a reliable and very-low latency DMX data communication. It adopts global free 2.4GHz ISM frequency band and high effective GFSK modulation.

One transmitter can manage more receivers at the same time, so this means, for example, that a DMX controller connected to a 2.4 GHz transmitter can control more than one PORTRAIT Q-Air Mini simultaneously. Of course, the two or more receivers must be placed within 300m from the transmitter.

Another common application is, for example, if in a venue with two dance floors (let’s call them “zones”) you want to control both with the same controller. The only advise is that the fixtures in Zone A must use DMX channels other than those used in Zone B.

 **NOTE: If two transmitters are active simultaneously on same ID, although there is no risk of damage to the equipment, we do not recommend to use two or more transmitters on same ID value, as this is absolutely useless.**

5.1. ID code and LED Color

DMX data communication occurs only if transmitter and receiver are both under same ID code. Users can assign a fixture to one of the 7 available bands (or groups) by pressing “DMX selection button” (5) several times. Each ID has a different assigned color as shown in next table.

ID	COLOR
1	Red
2	Green
3	Red+Green=Yellow
4	Blue
5	Red+Blue=UV (purple)
6	Green+Blue=Cyan
7	Red+Green+Blue=White

This means that the combination Transmitter-Receiver allows the light designer to use up to 7 x 512 DMX channels in the same venue.

5.2. Wireless DMX Operation

To use this feature follow the instructions below:

1. Press the “MENU” button, scroll “UP” or “DOWN” until the “uirE” setting shows on the display. Press “ENTER” and “ULEE” (wireless) starts blinking on the screen, then press “ENTER” again to confirm. The wireless indicator, (1) “3.4. Fixture Elements and Connectors” on page 8, starts blinking.
2. Press the “DMX selection button” (5) to set the ID value on the receiver. Keep pressing until you find the desired ID. Now you need to set up the transmitter in order to match the same ID group. Please refer to the transmitter user manual for further information.
3. After receiving DMX data, the transmitter chooses the non-interference frequency band to send data, and the receiver changes the communication frequency band upwards until it receives the same ID code.

Once communication is established (wireless indicator always lit) you have to adjust the PORTRAIT Q-Air Mini DMX channel in order to match the controller (e.g.: if your PAR is in 6-Channel mode, and DMX channel is set to 1, the controller can adjust values of DMX channels from 1 to 6 in a range between 0 and 255.

⚠ NOTE: When using wired DMX, the “uirE” setting must be set to “UirE” (wired). Once set to wired, the wireless indicator (1) will be off.

6 - MENU FUNCTIONS

By pressing the “MENU” button, the display will show the main functions. Press the “UP” and “DOWN” buttons to navigate the menu and values, then press “ENTER” to confirm. After confirmation, Press “MENU” until you exit all sub-menus.

DISPLAY	ENTER	FUNCTION AND DESCRIPTION
Addr	1-512	DMX-512 address setup
ChAn	6CH / 10CH	6/10 channel selection
SLAu	nAST / SL 1 / SL 2	Master/Slave mode selection
Auto	SoUn	Sound control on/off setting
	CoLo	Co1-Co24, static colour selection
	dFin	YES
	FAdE	SP1-SP9, colour fade speed control
uirE	ULEE/UirE	Wireless/Wired DMX control
BLnd	no / YES	Fixture is working but LEDs are off
ir	On/Off	IR remote control
Led	On/Off	ON/OFF
diSP	dSiP	Display turns upside down
bALA	red	125-255 Colour balance (red)
	Grn	125-255 Colour balance (green)
	blUe	125-255 Colour balance (blue)
rGb	rEd	000-255, Red dimmer, from dark to bright
	GrEE	000-255, Green dimmer, from dark to bright
	blUE	000-255, Blue dimmer, from dark to bright
	UhtE	000-255, White dimmer, from dark to bright
	Aber	000-255, Amber dimmer, from dark to bright
	Uu	000-255, UV dimmer, from dark to bright
bAtt		Battery Time percentage
teSt		Test mode starts, RGBWA+UV and strobe change automatically
hEAt		PAR temperature
uSAG		Usage Time
PASS	000-999	Reserved
uer	10	Software Version

6.1 Dimmer Refresh Rate

The PORTRAIT Q-Air Mini is suitable for video shooting as it is “flicker-free”.

6.2 DMX Control Mode

This function will allow users to control individual fixture with a standard DMX-512 console. Below is fixture DMX Channel Chart. PORTRAIT Q-Air Mini has two DMX channel modes, 6 channels and 10 channels.

To set up DMX channels, press the "MENU" button and use "UP" or "DOWN" buttons until the display shows "ChAn". Press "ENTER", then "UP" or "DOWN" to select 6CH or 10CH. Press "ENTER" to save the setting, and press "MENU" to exit from current sub-menu.

CH MODE	DMX CH	DESCRIPTION	VALUES	SETTING/FUNCTION
6CH	1	Red dimmer	000-255	0%-100%, from dark to bright
	2	Green dimmer	000-255	0%-100%, from dark to bright
	3	Blue dimmer	000-255	0%-100%, from dark to bright
	4	White dimmer	000-255	0%-100%, from dark to bright
	5	Amber dimmer	000-255	0%-100%, from dark to bright
	6	UV dimm	000-255	0%-100%, from dark to bright
10CH	1	Red dimming	000-255	0%-100%, from dark to bright
	2	Green dimming	000-255	0%-100%, from dark to bright
	3	Blue dimming	000-255	0%-100%, from dark to bright
	4	White dimming	000-255	0%-100%, from dark to bright
	5	Amber dimming	000-255	0%-100%, from dark to bright
	6	UV dimming	000-255	0%-100%, from dark to bright
	7	Master Dimmer	000-255	RGBWAUV master dimmer, from dark to bright
	8	Master Strobe	000-255	RGBWAUV master strobe, from slow to fast
	9	Color	000-002	No function
			003-127	Color1-Color32
128-191			Color Macro 1-16	
192-255			Color Fade 1-16	
10	Speed	000-255	Built-in speed, from slow to fast (Color Macro & Color Fade)	

6.3 Master/Slave Mode

In Master/Slave mode, one fixture will work as Master fixture and other fixtures in the daisy chain will work as Slave units, in synchronization with the Master fixture.

1) Master/Slave with RJ45 DMX Cable

First of all, connect all fixtures in chain with RJ45 DMX cables. Then set up the fixture as below.

1. Press "MENU" button, scroll "UP" or "DOWN" until the display shows "SLAu". Press "ENTER" then press "nAST". This fixture will now work as Master unit.
2. Set up all rest of fixtures as "SL 1" in the "SLAu" sub-menu. All these connected fixtures will now work as Slave units.
3. Select one preset program Static color/Strobe/Auto mode/Sound mode from the Master unit, all slave fixtures will run the same program synchronously with Master unit.

2) Master/Slave At Wireless Mode

PORTRAIT Q-Air Mini has 7 wireless IDs with 7 different led indicator colors. To run fixtures at Master/Slave mode, follow the setup below.

First of all, press "DMX Selection button" (5) to select the wireless group. Keep all fixture's Wireless indicator (1) showing the same color. This means all PARs are in the same wireless band (in the same group).

Now you need to set up the fixture as below:

1. Press "MENU" button, scroll "UP" or "DOWN" until the display shows "SLAu". Press "ENTER" then press "nAST". This fixture will now work as Master unit.
2. Set up all rest of fixtures as "SL 1" in the "SLAu" sub-menu. All these connected fixtures will now work as Slave units.
3. Select one preset program Static color/Strobe/Auto mode/Sound mode from the Master unit, all slave fixtures will run the same program synchronously with Master unit.

6.4. Sound Mode

The fixture can operate at Sound mode to change colours based on detected music.

1. Press "MENU", scroll "UP" or "DOWN" until "Auto" shows on the display. Press "ENTER" to access the sub-menu.
2. Select "SoUn" and press "ENTER", then "on" and "ENTER" again to activate Sound mode.
3. Press "MENU" until you exit all the sub-menus. The PAR now operates at Sound mode.

If no sound is detected, the colours will change at a preset speed.

6.5 Auto Mode

The fixture can operate in Auto Mode to make all colours change automatically at a set speed. Please refer to point 2 in paragraph "6.6. IR Remote Control" on page 18

6.6 IR Remote Control

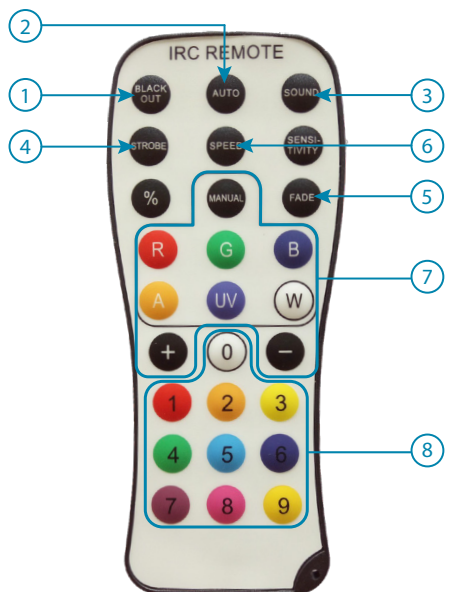
This operation mode allows users to control the fixture with an infrared remote controller.

⚠ Note: Make sure the fixture is set to Master "nAST" to control it with the remote controller. To set the fixture in Master mode refer to point 1 in paragraph "1) Master/Slave with RJ45 DMX Cable" on page 17

To activate IR remote control, press the "MENU" button, scroll "UP" or "DOWN" until "ir" shows up on the display then press "ENTER". Select "on" to activate IR remote control then press "ENTER" to confirm. Press the "MENU" button until you exit all sub-menus.


To control the fixture with this IR remote controller, make sure to point the controller directly to the IR receiving sensor (15) on the product. Make sure there are no objects between the controller and the fixture.

1. Sets fixture into BLACKOUT (LEDs off but fixture is working).
Make sure to exit BLACKOUT mode before switching to another mode by pressing the BLACKOUT button again.
2. Switches fixture from any mode into AUTO Mode. All colours change automatically at a preset speed.
3. Sets fixture into SOUND Mode.
4. Activates STROBE. Strobe is on until button is released.
5. Switches fixture from any mode to FADE Mode.
6. In FADE Mode, adjusts FADE speed. Press to toggle between SP1 (slowest) and SP9 (fastest).
7. Switches fixture from any mode into MANUAL Mode.
Press one of the "R, G, B, A, UV, W" buttons to adjust the brightness of a single



colour by pressing the "+" or "-" button. Values range from 0 (least bright) to 255 (most bright).

8. Static Colours. Press the "0" button first, then all other colours can be selected. Colours range from 0 to 9.

 **Note: The remote control uses a CR2025 3Volt Lithium battery. Be sure the battery is correctly installed, and make sure it is charged.**

7 - MAINTENANCE

7.1 General Maintenance

The operator has to make sure that the safety-related and machine-technical installations have to be periodically inspected by an expert, according to local legislation. During an acceptance test, please check points below.

- Make sure the connections are clean and totally dry before linking equipment or supplying electric power.
- All screws used for installing the fixture or parts of the fixture have to be tightly connected and must not be corroded.
- The fixture has optical lenses; users should clean the lenses periodically to optimize light output. The cleaning frequency depends on the environment in which the fixture is installed. Damp, smoky or particularly dirty surrounding can cause greater accumulation of dirt on the lenses. Even in a clean type of surroundings, it is suggested to clean the lens and housing at least once a month. It is suggested to use a soft cloth using normal glass cleaning fluid.

The following points have to be considered during the maintenance:

- Switch off the fixture before cleaning.
- Clean the lens with a mild solution of glass cleaner or isopropyl alcohol, and a soft, lint-free cotton cloth or a lens cleaning tissue.
- Gently polish the external glass surfaces until they are free of haze and lint.

7.2 Battery Charging and Maintenance

The PORTRAIT Q-Air Mini has a rechargeable lithium battery and a built-in auto-ranging charger circuit. Please follow the instructions below to assure a correct use, long-life and maintenance.

⚠ Always store the fixtures with full battery. Partially charged batteries will lose capacity. Never store the battery when fully drained. Always recharge immediately when empty. Partially charged batteries will lose capacity. Fully recharge every 6 months if not used.

⚠ Before charging the fixture, ensure that the voltage and frequency of power supply match the power requirements of the product.

⚠ Battery runtime will decrease time by time, and it may be slightly shorter than predicted due to different working environments.

To charge the fixture, connect the power cable to the fixture power input, and plug the power cable to the mains. The fixture will start to charge automatically. The auto-ranging charger has an input to 90-240V AC, 50/60Hz. A normal charging time is about 5 hours.

There is a charge indicator on the power supply monitoring battery charging status. Red light will turn on during the whole charging time. Once the battery is fully charged, the indicator will turn on green. Unplug the fixture from the main source, the fixture now can operate free of cable.

To check battery status on fixture press "MENU", scroll "UP" or "DOWN" until "bAtt" shows on display. Press "ENTER" and the display will show the percentage of battery left.

It is recommended to charge the fixture at an ambient temperature between 0°C and 35°C.

If fixture is charged but not in operation, please always keep the power switch "Off".

⚠ Note: The battery must be replaced with an original one from the manufacturer only.

7.3 Battery Replacement

This fixture is equipped with a rechargeable lithium-ion battery Pack. When battery gets drained, you need to replace it with a new one. These batteries can be purchased from specialized dealers.

We suggest you to contact a Centolight authorized service center, as the replacement involves the disassembly of the fixture. It is not particularly difficult, but you may need to use a soldering station and replace some fixing clips in order to connect the two poles of the new battery pack to the pre-existing wires.

 **WARNING:** We suggest you to contact a Centolight authorized service center.

7.4. Battery Safety and Disposal Instructions

Please follow the instructions below for safe handling of and proper disposal of user-serviceable batteries.

Please make sure the battery will be disposed of properly according to your local law when it runs out of its life, so that to protect the environment. Some batteries may be recycled, and may be accepted for disposal at your local recycling center.

Please contact CENTOLIGHT Customer Support if you have questions about proper handling of batteries. Batteries may present a risk of fire, explosion, or chemical burn if mistreated.

- Do not disassemble, puncture, modify, drop, throw, or cause other unnecessary shocks to batteries.
- Do not dispose of batteries in a fire or trash incinerator, or leave batteries in hot places such as a automobile under direct sunlight.
- Do not store batteries near an oven, stove, or other heat source.
- Do not connect batteries directly to an electrical source, such as a building outlet or automobile power-point.
- Do not place batteries into a microwave oven, or into any other high-pressure container.
- Do not immerse batteries in water or otherwise get them wet.
- Do not short circuit batteries; for example, do not carry loose batteries in a pocket or purse with other metal objects, which may inadvertently cause a battery to short circuit.
- Do not use batteries, or charge rechargeable batteries, that appear to be leaking, discolored, rusty, deformed; emit an odor; or are otherwise abnormal.
- Do not touch leaking batteries directly; wear protective material to remove the batteries and dispose of them properly immediately.
- Do not reverse the polarity (positive and negative terminals) of batteries.
- Do not continue to charge batteries beyond the specified time.
- Do not give batteries to young children, or store batteries where children may access them.
- Do not put batteries in mouth. If swallowed, contact physician or local poison control center immediately.

8 - SPECIFICATIONS

Light sources	4x12W RGBWAUV 6-in-1 LEDs
Beam angle	15°
Field angle	29°
Led average life span	50,000 hours
CRI	≥90
Flicker-Free	Yes
Control mode	DMX512, Master/Slave, Stand Alone, Wireless DMX, IR Remote Control, Sound control, Auto Mode
DMX channel	6/10 channel selectable
Control panel	LCD display
Power input	90-240V AC 50/60Hz
Power consumption	Max. 55W
Power In connection	5.5mm Input
Battery type	Rechargeable lithium-ion battery pack
Charge time	About 5.0 hours
Battery life	4 hours at full color from one full charge
	15 hours at running single color
Working temperature	-10°C - 45°C
Charging temperature	0°C - 35°C
IP rating	IP20
Cooling	Natural cooling, silent operation
Housing material	Rigid metal
Housing color	Black
Fixture size (WxDxH)	134 x 134 x 130 mm (5.27 x 5.27 x 5.11 in)
Net weight	1.9 kg - 4.18 lbs.
Carton size (WxDxH)	180 x 175 x 200 mm (7.09 x 6.89 x 7.87 in)
Gross weight	2.5 kg - 5.51 lbs.

Note: Our products are subject to a process of continual further development. Therefore modifications to the technical features remain subject to change without further notice.

9 - WARRANTY AND SERVICE

All CENTOLIGHT products feature a limited two-year warranty. This two-year warranty starts from the date of purchase, as shown on your purchase receipt. The following cases/components are not covered by this warranty:

- Any accessories supplied with the product
- Improper use
- Fault due to wear and tear
- Any modification of the product effected by the user or a third party

CENTOLIGHT shall satisfy the warranty obligations by remedying any material or manufacturing faults free of charge at CENTOLIGHT's discretion either by repairing or exchanging individual parts or the entire appliance. Any defective parts removed from a product during the course of a warranty claim shall become the property of CENTOLIGHT.

While under warranty, defective products may be returned to your local CENTOLIGHT dealer together with the original proof of purchase. To avoid any damages in transit, please use the original packaging if available. Alternatively, you can send the product to CENTOLIGHT SERVICE CENTER - Via Enzo Ferrari, 10 - 62017 Porto Recanati - Italy. In order to send a product to service center, you need an RMA number. Shipping charges have to be covered by the owner of the product.

For further information please visit www.centolight.com

10 - WARNING

PLEASE READ CAREFULLY - EU and EEA (Norway, Iceland and Liechtenstein) only

This symbol indicates that this product is not to be disposed of with your household waste, according to the WEEE Directive (2012/19/UE) and your national law.



This product should be handed over to a designated collection point, e.g., on an authorized one-for-one basis when you buy a new similar product or to an authorized collection site for recycling waste electrical and electronic equipment (WEEE).

Improper handling of this type of waste could have a possible negative impact on the environment and human health due to potentially hazardous substances that are generally associated with EEE. At the same time, your cooperation in the correct disposal of this product will contribute to the effective usage of natural resources.

For more information about where you can drop off your waste equipment for recycling, please contact your local city office, waste authority, approved WEEE scheme or your household waste disposal service.

SOMMARIO

1 -	Prima Di Iniziare	26
2 -	Istruzioni di Sicurezza	27
2.1.	Significato dei simboli - - - - -	27
3 -	Introduzione	28
3.1.	Caratteristiche - - - - -	28
3.2.	Dimensioni del PAR - - - - -	29
3.3.	Dimensioni Soft Bag (non inclusa) - - - - -	30
3.4.	Descrizione di Comandi e Connessioni - - - - -	30
3.5.	Connessione di Alimentazione - - - - -	31
3.6.	Posizionamento del Dispositivo - - - - -	31
4 -	Controllo DMX	33
4.1.	Controllo DMX Cablato - - - - -	33
4.2.	Terminatore DMX - - - - -	34
4.3.	Indirizzamento DMX - - - - -	34
5 -	Controllo DMX Wireless	35
5.1.	Codice ID e Colore LED - - - - -	35
5.2.	Funzionamento DMX Wireless - - - - -	36
6 -	Funzioni del Menu	37
6.1.	Velocità di Scansione del Dimmer (Flicker-Free) - - - - -	37
6.2.	Modalità di controllo DMX - - - - -	38
6.3.	Modalità Master/Slave - - - - -	38
6.4.	Modalità Sound - - - - -	39
6.5.	Modalità Auto Run - - - - -	40
6.6.	Telecomando IR - - - - -	40
7 -	Manutenzione	40
7.1.	Manutenzione Generale - - - - -	40
7.2.	Manutenzione e Carica della Batteria - - - - -	41
7.3.	Sostituzione della batteria - - - - -	42
7.4.	Istruzioni per la sicurezza e lo smaltimento della batteria - - - - -	42
8 -	Specifiche Tecniche	44
9 -	Garanzia e Assistenza	45
10 -	Avviso UE e SEE (Norvegia, Islanda, Liechtenstein)	46

1 - PRIMA DI INIZIARE

Grazie per aver acquistato il set di fari PORTRAIT Q-Air Mini. Prima di iniziare, assicuratevi di leggere attentamente questo manuale! Esso utente è stato creato per fornire sia una panoramica dei controlli, sia informazioni su come usarli.

1) Cosa è Incluso

La confezione include:

- 1 x Par PORTRAIT Q-Air Mini
- 1 x Telecomando a infrarossi
- 1 x Cavo DMX XLR Maschio - RJ45 DMX Maschio
- 1 x Cavo DMX XLR Femmina - RJ45 DMX Maschio
- 1 x Alimentatore a 16.8V
- Questo Manuale d'uso



ATTENZIONE: La confezione non è un giocattolo! Tenere fuori dalla portata dei bambini! Conservare in un luogo sicuro il materiale di imballaggio originale.

In caso di danni durante il trasporto, informare immediatamente lo spedizioniere e conservare il materiale di imballaggio per l'ispezione. Se l'unità deve essere restituita al produttore, è importante che l'unità venga restituita nella confezione originale del produttore. Si prega di non intraprendere alcuna azione senza prima contattarci.

2) Accessori

CENTOLIGHT fornisce un'ampia gamma di accessori di qualità che è possibile utilizzare con le apparecchiature della serie PORTRAIT, come cavi, splitter, controller DMX, materiali di consumo e un'ampia gamma di altri fari.

Tutti i prodotti nel nostro catalogo sono stati testati a lungo con questo dispositivo, quindi ti consigliamo di utilizzare accessori e ricambi originali CENTOLIGHT. Chiedete al vostro rivenditore CENTOLIGHT o visitate il nostro sito web www.centolight.com per eventuali accessori di cui potreste aver bisogno per garantire le migliori prestazioni al vostro prodotto.

3) Limiti di Responsabilità

Le informazioni e le specifiche contenute in questo manuale utente sono soggette a modifiche senza preavviso. CENTOLIGHT non si assume alcuna responsabilità per eventuali errori od omissioni e si riserva il diritto di rivedere o creare questo manuale in qualsiasi momento.

Copyright© 2024 CENTOLIGHT. Tutti i diritti riservati.

2 - ISTRUZIONI DI SICUREZZA

- Leggete queste istruzioni
- Conservate queste istruzioni
- Prestate attenzione a tutti gli avvertimenti
- Seguite tutte le istruzioni

2.1. Significato dei simboli



Questo simbolo viene utilizzato per indicare che all'interno di questo apparecchio sono presenti terminali sotto tensione, anche in condizioni operative normali, che possono essere sufficienti a costituire il rischio di scosse elettriche o morte.



Questo simbolo è usato per descrivere importanti problemi di installazione o configurazione. Il mancato rispetto dei consigli e delle informazioni su come evitare tali problemi può portare al malfunzionamento del prodotto.



Questo simbolo indica un terminale di messa a terra.

ATTENZIONE

Descrive precauzioni da osservare per prevenire lesioni o morte dell'operatore.



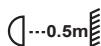
Per proteggere l'ambiente, cercare di riciclare il più possibile il materiale di imballaggio e i materiali di consumo esauriti



Non gettare questo prodotto come spazzatura generica, conferire il prodotto seguendo le normative sui rifiuti elettronici in vigore nel vostro paese.



Questo simbolo indica che il dispositivo è destinato ad un uso all'interno. Non esporre a pioggia e umidità.



Ponete l'apparecchio in un punto ben ventilato, lontano da qualsiasi materiale e/o liquidi infiammabili. L'apparecchio deve essere fissato almeno a 50 cm dalle pareti circostanti

1) Manutenzione

Non effettuare alcuna manutenzione diversa da quelle descritte nel presente manuale. In caso di ulteriori manutenzioni, rivolgersi a personale specializzato. Eventuali componenti interni devono essere acquistati da rivenditori specializzati. Utilizzare solo accessori o parti raccomandate dal produttore.

3 - INTRODUZIONE

PORTRAIT Q-Air Mini è un PAR alimentato a batteria (o a corrente), progettato per applicazioni di noleggio. Può essere controllato facilmente scegliendo tra telecomando IR, connessione DMX-512 cablata, DMX wireless, Auto Run, Master/Slave e controllo Sound.

Il sistema di illuminazione dei fari è costituito da 4 LED da 12W RGBWA+UV 6in1 ad alta luminosità con una durata di circa 50.000 ore. Ogni LED è dotato di una lente di alta qualità con angolo del fascio di luce di 15° e angolo di campo di 29°, che rende questo PAR ideale per tutte le applicazioni Wash.

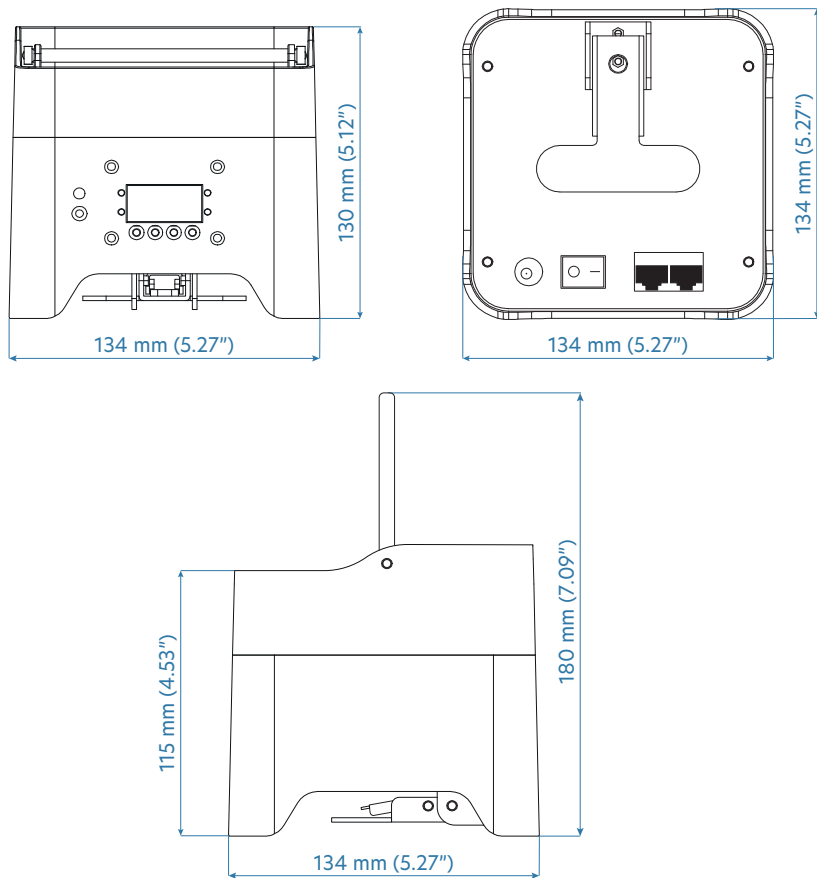
PORTRAIT Q-Air Mini ha un telaio estremamente compatto e può essere inserito all'interno di una truss di 300x300mm e creare un meraviglioso effetto Wash all'interno della struttura di tralicci. L'apparecchio può anche essere posizionato su un pavimento uniforme e solido e funzionare come un normale punto-luce. E' inoltre dotato di un supporto con inclinazione regolabile. Spingendo la leva della piastra del dispositivo si può inclinare fino a 25 ° e proiettare l'effetto Wash su pareti o facciate.

La batteria al litio ad alta efficienza garantisce una carica completa da zero entro circa 5 ore, e una durata di lavoro che varia da 4 ore (modalità full color) a 15 ore (modalità single color). Il telecomando a infrarossi consente il controllo remoto delle funzioni principali senza l'uso del DMX.

3.1. Caratteristiche

- 4x 12W LED RGBWA+UV 6in1 ad alta efficienza e lunga durata
- Angolo del fascio di luce (Beam) 15°
- Angolo del campo (Field) 29°
- CRI ≥ 90
- Funzionamento Flicker-Free
- Controllo DMX-512 wireless a 2,4 GHz
- Controllo via cavo DMX-512
- Controllo con telecomando a Infrarossi (IR)
- Controlli Auto Run, Master/Slave, Sound
- Funzione Strobo indipendente, 0-20 volte al secondo con velocità regolabile
- Canali DMX-512: 6CH / 10CH
- Supporto inclinazione regolabile 0°-25°
- Display LCD con interfaccia intuitiva
- Batteria ricaricabile agli ioni di litio per un massimo di 15 ore di funzionamento

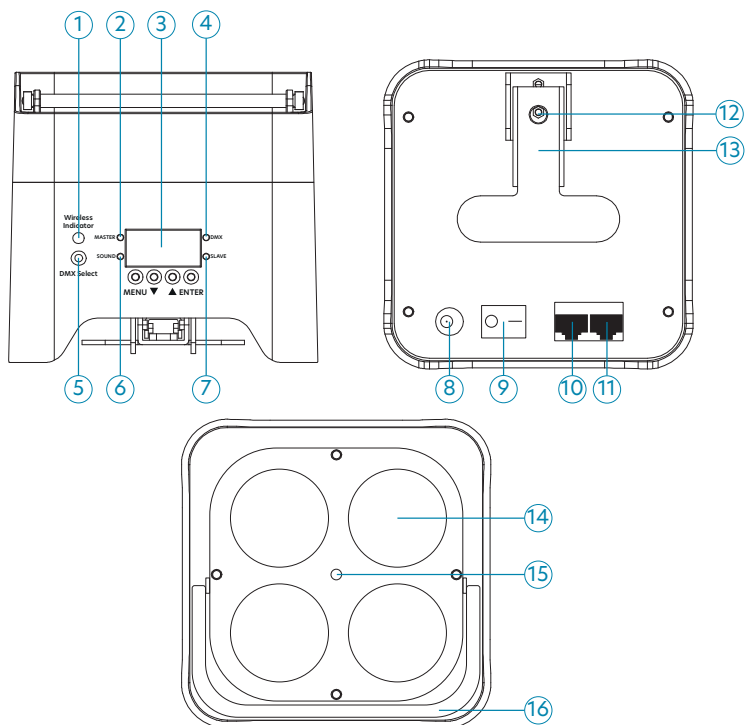
3.2. Dimensioni del PAR



3.3. Dimensioni Soft Bag (non inclusa)



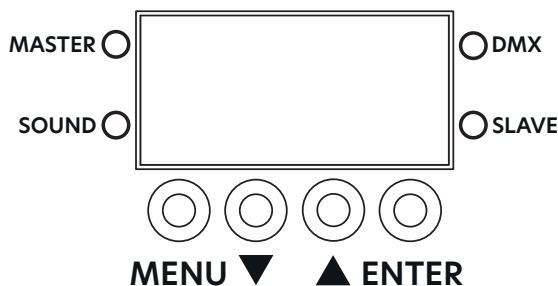
3.4. Descrizione di Comandi e Connessioni



1. Indicatore Wireless	7. Indicatore Slave	13. Supporto Inclinazione Regolabile
2. Indicatore Master	8. Ingresso Alimentatore 16.8V	14. Diodi LED
3. Display LCD	9. Interruttore On/Off	15. Sensore IR
4. Indicatore DMX	10. Ingresso DMX	16. Maniglia
5. Tasto selezione DMX	11. Uscita DMX	
6. Indicatore controllo Sound	12. Foro M10 per Staffa	

1) Pannello di controllo

Il pannello dei comandi è composto da un display LCD e da 4 pulsanti: **MENU**, **GIÙ**, **SU** e **ENTER**.



- **Menu:** Premere il pulsante MENU fino a visualizzare l'opzione desiderata.
- **Giù ▼:** Consente lo scorrimento all'indietro nell'elenco dei menu e decrementa il valore della funzione corrente
- **Su ▲:** Consente lo scorrimento in avanti nell'elenco dei menu ed aumenta il valore della funzione corrente
- **Enter:** Entra nel menu corrente o conferma il valore della funzione corrente.

3.5. Connessione di Alimentazione

- Assicurarsi sempre che la tensione della presa alla quale si sta connettendo il prodotto sia compatibile con le specifiche indicate nel paragrafo "8 - Specifiche Tecniche" a pagina 44
- Assicurarsi che il cavo di rete non sia danneggiato o abbia fili scoperti. Non collegare mai questo prodotto a un Dimmer Pack o un Variatore di Tensione.
- Non scollegare mai il prodotto tirandolo con forza il cavo di alimentazione.

3.6. Posizionamento del Dispositivo

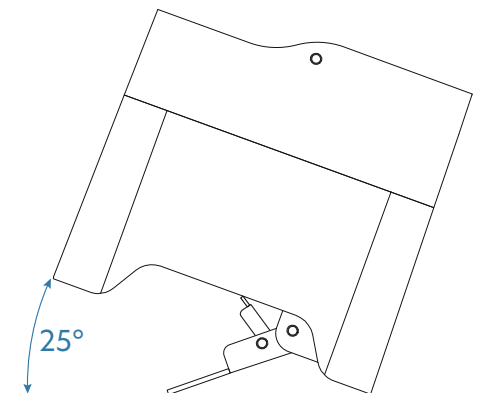
Il PORTRAIT Q-Air Mini può essere montato in diversi modi.

1) Installazione all'interno di un traliccio

Il dispositivo ha un telaio estremamente compatto e può essere inserito all'interno di un traliccio di 300x300mm.

2) Uso Verticale

Il Par può essere posizionato su un piano e funzionare in modo verticale. Ha anche una staffa con inclinazione regolabile che può variare l'inclinazione fino a 25° per avere l'effetto Wash su pareti.



3) Installazione su struttura a tralci

PORTRAIT Q-Air Mini è dotato di un foro M10 per morsetto. È quindi possibile appendere il dispositivo su un traliccio o un altro tipo di struttura sospesa. Per ulteriori dettagli, consultare la gamma di accessori dedicati su www.centolight.com.

- Quando si installa il faro su un traliccio orizzontale o verticale, utilizzare sempre un cavo di sicurezza (opzionale). Occorre inoltre assicurarsi che la barra trasversale sia stabile e in grado di sopportare un peso di 19 kg (peso netto del dispositivo 1,9 kg).

⚠ Prestare attenzione alla sicurezza! Si prega di considerare rispettivamente la EN 60598-2-17 e lo standard nazionale durante l'installazione. Il rivenditore autorizzato deve eseguire solo l'installazione.

- L'installazione del dispositivo deve essere progettata e costruita in un modo che possa sopportare 10 volte il peso per 1 ora, senza alcun cedimento o danneggiamento della struttura. L'installazione deve essere sempre protetta con un dispositivo di sicurezza secondario, ad esempio un cavo di sicurezza. Questo dispositivo deve essere realizzato in un modo tale che nessuna parte del prodotto possa cadere se il fissaggio principale cedesse.
- Durante le operazioni di montaggio, smontaggio o manutenzione del faro è vie-

tato consentire lo stazionamento o anche solo il passaggio nell'area sottostante. L'operatore deve assicurarsi che l'installazione e i sistemi di sicurezza siano approvati da un esperto prima di avviare per la prima volta il funzionamento o dopo aver apportato qualsiasi modifica. Deve inoltre assicurarsi che un esperto approvi l'installazione e i dispositivi di sicurezza ogni anno.

⚠ ATTENZIONE: l'apparecchio non deve essere installato aree esterne in cui le persone possono camminare o essere sedute.

⚠ IMPORTANTE: il montaggio su strutture sospese richiede un'esperienza specifica; tra cui (ma non soltanto) il calcolo dei limiti di carico di lavoro, la scelta del materiale di installazione e l'ispezione periodica del proiettore e dei dispositivi di sicurezza. Se non si dispone di tali qualifiche, è bene non procedere con l'installazione da soli, ma si consiglia di rivolgersi a professionisti specializzati.

- Se il faro deve essere alzato verso/o abbassato dal soffitto o da travi sospese, è consigliabile usare sistemi di tralacci professionali.
- In caso di installazione su parete, soffitto o traliccio, è richiesto l'uso di cavi di sicurezza come l' LW3-76A o l' LW4-76A (opzionali) e di adattatori a traliccio come le serie SLH e SQC (opzionali). Visita www.centolight.com per ulteriori dettagli.
- L'apparecchio non deve mai essere lasciato oscillare liberamente.

⚠ ATTENZIONE: utilizzare morsetti appropriati per montare il faro sul traliccio. Assicurarsi che esso sia fissato correttamente e che il traliccio stesso sia sicuro.

⚠ ATTENZIONE: l'apparecchio può causare gravi lesioni quando si schianta. Se hai dei dubbi sulla sicurezza di una possibile installazione, non installare l'apparecchio!

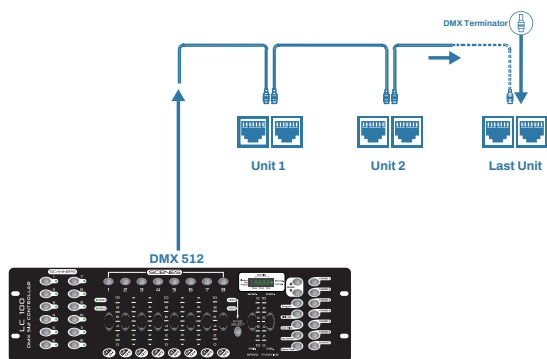
⚠ PERICOLO DI INCENDIO! Quando si installa il faro, assicurarsi che non vi sia alcun materiale altamente infiammabile (decorazioni, ecc.) entro una distanza di meno di 0,5 metri.

4 - CONTROLLO DMX

4.1 Controllo DMX Cablato

Gli apparecchi DMX sono progettati per ricevere dati attraverso una catena in cascata. Questo tipo di connessione permette di collegare il DMX OUT di un faro al DMX IN del dispositivo successivo. L'ordine in cui i prodotti sono collegati non è

importante e non ha alcun effetto su come un controllore comunica a ciascuna apparecchiatura. Utilizzare un ordine che preveda il cablaggio più semplice e diretto.

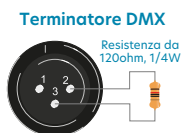


Collegare i dispositivi utilizzando un cavo DMX RJ45 con maschio-maschio.

⚠ Quando si utilizza un controller DMX, assicurarsi che non vi siano fonti di interferenza (interfono, onde radio ad alta frequenza e sorgenti di radiazioni).

4.2. Terminatore DMX

DMX è un protocollo di comunicazione resiliente, tuttavia si potrebbero verificare occasionalmente degli errori. I terminatori riducono gli errori di segnale; è quindi consigliabile usarle quando si verificano problemi con comportamenti irregolari degli apparecchi; specialmente se la lunghezza dei cavi DMX è elevata.



Il terminatore DMX è un connettore XLR con un resistore da 120Ω (ohm), 1/4 Watt collegato attraverso il segnale (-) e il segnale (+), rispettivamente, i pin 2 e 3, che viene quindi inserito nella presa di uscita sull'ultimo proiettore nella catena. Le connessioni sono illustrate di seguito.

⚠ Un cavo di segnale DMX standard può trasmettere segnali a 20 unità al massimo. E' necessario un amplificatore di segnale per collegare più apparecchi.

4.3. Indirizzamento DMX

A ciascun dispositivo deve essere assegnato un indirizzo DMX in modo che questo risponda correttamente ai segnali di controllo. Questo indirizzo DMX è il numero del primo canale da cui l'apparecchiatura inizia a ricevere le informazioni di controllo digitale inviate dalla centralina.

Il PORTRAIT Q-Air Mini ha 2 modalità DMX: 6 e 10 canali. Per impostare l'indirizzo DMX dell'apparecchiatura, selezionare prima la modalità canale DMX seguendo il paragrafo "6.2. Modalità di controllo DMX" a pagina 38. L'indirizzo DMX più alto per questo dispositivo è 512. Per impostare l'indirizzo iniziale DMX del dispositivo, seguire i passaggi seguenti:

- Premere il pulsante "MENU" finché sul display non appare "Addr", quindi premere "ENTER".
- Premere i pulsanti "SU" o "GIÙ" per scegliere tra 1 e 512.
- Premere "ENTER" per confermare la selezione.

5 - CONTROLLO DMX WIRELESS

Il PORTRAIT Q-Air Mini può essere controllato a distanza da rice-trasmittitori wireless DMX.

Il faro è dotato di un'interfaccia DMX512 wireless a 2,4 GHz che opera nella banda ISM a licenza libera da 2,400 a 2,525 GHz e adotta il sistema di modulazione GFSK ad alta efficienza. La distanza massima è di 300 m (senza ostacoli). Questa funzione wireless, considerando che il PORTRAIT Q-Air Mini è un dispositivo alimentato a batteria, elimina la necessità di cavi e garantisce una comunicazione DMX affidabile e con latenza molto bassa.

Un trasmettitore può gestire più ricevitori contemporaneamente. Questo significa, ad esempio, che una centralina DMX collegata a un trasmettitore a 2,4 GHz può controllare più di un PORTRAIT Q-Air Mini. Naturalmente, i due o più ricevitori devono essere posizionati entro 300m dal trasmettitore.

Un'altra applicazione comune è, ad esempio, se in un locale con due piste da ballo (chiamiamole "zone") si desidera controllare entrambe con la stessa centralina. L'unico avviso è che gli apparecchi nella zona A devono utilizzare canali DMX diversi da quelli utilizzati nella zona B.

⚠ NOTA: Si consiglia di non utilizzare due trasmettitori sullo stesso valore ID poiché, sebbene non vi sia alcun rischio di danni alle apparecchiature, questo sarebbe assolutamente inutile.

5.1 Codice ID e Colore LED

La comunicazione dei dati DMX avviene solo se il trasmettitore e il ricevitore hanno entrambi lo stesso codice ID. Si può assegnare un apparecchio a una delle 7 bande (o gruppi) disponibili premendo più volte il pulsante "Tasto Selezione DMX"(5). A ciascun ID è assegnato un colore diverso, come mostrato nella tabella successiva.

ID	COLORE
1	Rosso
2	Verde
3	Rosso + Verde = Giallo
4	Blu
5	Rosso + Blu = UV (Viola)
6	Verde + Blu = Ciano
7	Rosso + Verde+ Blu = Bianco

Ciò significa che la combinazione Trasmettitore-Ricevitore consente al tecnico luci di utilizzare fino a 7 x 512 canali DMX nello stesso luogo.

5.2 Funzionamento DMX Wireless

Per utilizzare questa funzione, seguire le istruzioni riportate di seguito:

1. Premere il pulsante "MENU", scorrere "SU" o "GIÙ" fino a visualizzare l'impostazione "uirE". Premere "ENTER", e "ULEE" (wireless) inizia a lampeggiare sullo schermo, quindi premere nuovamente "ENTER" per confermare. L'indicatore Wireless, (1) "3.4. Descrizione di Comandi e Connessioni" a pagina 30, inizia a lampeggiare.
2. Premere il "Tasto Selezione DMX" (5) per impostare il codice ID sul ricevitore. Continuare a premere fino a trovare l'ID desiderato. Ora è necessario impostare il trasmettitore in modo che corrisponda allo stesso gruppo ID. Per ulteriori informazioni, consultare il manuale d'uso del trasmettitore.
3. Dopo aver ricevuto i dati DMX, il trasmettitore sceglie la banda di frequenza senza interferenze per inviare i dati, e il ricevitore cambia la banda di frequenza di comunicazione in avanti finché non riceve lo stesso codice ID.

Una volta stabilita la comunicazione (l'indicatore wireless sarà sempre acceso), è necessario regolare il canale DMX del PORTRAIT Q-Air Mini per adattarlo alla centralina. Ad esempio se il PAR è in modalità a 6 canali e il canale DMX è impostato su 1, la centralina può regolare i valori dei canali DMX da 1 a 6 in un intervallo compreso tra 0 e 255.

⚠ Nota: Quando si utilizza il DMX cablato, l'impostazione "uirE" deve essere impostata su "UirE" (cablato). Una volta impostato su cablato, l'Indicatore Wireless (1) sarà spento.

6 - FUNZIONI DEL MENU

Premendo il tasto "MENU", il display visualizza le funzioni principali. Premere i pulsanti "SU" e "GIÙ" per navigare nel menu e aumentare/diminuire i valori nel menu selezionato, quindi premere "ENTER" per confermare. Dopo la conferma, premere "MENU" più volte per uscire da tutti i sottomenu.

DISPLAY	ENTER	FUNZIONE E DESCRIZIONE
Addr	1-512	Impostazione indirizzo DMX-512
ChAn	6CH / 10CH	Selezione canali 6/10
SLAu	nAST / SL 1 / SL 2	Selezione modalità Master/Slave
Auto	SoUn	On/Off modalità Sound
	CoLo	Selezione colori statici, Co1-Co24
	dFin	YES
	FAde	Controllo velocità dissolvenza colori, SP1-SP9
uirE	ULEE/UirE	Controllo DMX Wireless/Cablato
BLnd	no / YES	l'apparecchiatura funziona ma i LED sono spenti
ir	On/Off	Controllo con telecomando a infrarossi (IR)
Led	On/Off	ON/OFF
diSP	dSiP	Display capovolto
bALA	red	125-255 Bilanciamento del colore (rosso)
	Grn	125-255 Bilanciamento del colore (verde)
	blUe	125-255 Bilanciamento del colore (blue)
rGb	red	000-255, Dimmer del rosso, da scuro a chiaro
	Gree	000-255, Dimmer del verde, da scuro a chiaro
	blUe	000-255, Dimmer del blu, da scuro a chiaro
	Uhte	000-255, Dimmer del bianco, da scuro a chiaro
	Aber	000-255, Dimmer dell'amber, da scuro a chiaro
	Uu	000-255, Dimmer dell'UV, da scuro a chiaro
bAtt		Percentuale batteria residua
teSt		Modalità Test, RGBWA+UV e strobo cambiano automaticamente
hEAt		Temperatura del PAR
uSAG		Tempo di utilizzo
PASS	000-999	Riservato
uer	10	Versione software

6.1. Velocità di Scansione del Dimmer (Flicker-Free)

Il PORTRAIT Q-Air Mini è adatto a riprese video in quanto ha un funzionamento "flicker-free".

6.2 Modalità di controllo DMX

Questa funzione consentirà agli utenti di controllare singoli fari con una console DMX-512 standard. Di seguito sono riportate le tabelle dei canali DMX. Il PORTRAIT Q-Air Mini ha due modalità di canale DMX, 6 canali e 10 canali.

Per impostare i canali DMX, premere il pulsante "MENU" e utilizzare i pulsanti "SU" o "GIÙ" finché nel display non appare "ChAn". Premere "ENTER", quindi "SU" o "GIÙ" per selezionare 6CH o 10CH. Press "ENTER" per salvare l'impostazione e premere "MENU" per uscire dal sottomenu corrente.

MOD. CH	DMX CH	DESCRIZIONE	VALORE	FUNZIONE
6CH	1	Dimmer Rosso	000-255	0%-100%, da scuro a chiaro
	2	Dimmer Verde	000-255	0%-100%, da scuro a chiaro
	3	Dimmer Blu	000-255	0%-100%, da scuro a chiaro
	4	Dimmer Bianco	000-255	0%-100%, da scuro a chiaro
	5	Dimmer Amber	000-255	0%-100%, da scuro a chiaro
	6	Dimmer UV	000-255	0%-100%, da scuro a chiaro
10CH	1	Dimmer Rosso	000-255	0%-100%, da scuro a chiaro
	2	Dimmer Verde	000-255	0%-100%, da scuro a chiaro
	3	Dimmer Blu	000-255	0%-100%, da scuro a chiaro
	4	Dimmer Bianco	000-255	0%-100%, da scuro a chiaro
	5	Dimmer Amber	000-255	0%-100%, da scuro a chiaro
	6	Dimmer UV	000-255	0%-100%, da scuro a chiaro
	7	Master Dimmer	000-255	RGBWAUV dimmer principale, da scuro a chiaro
	8	Master Strobe	000-255	RGBWAUV strobo principale, da lento a veloce
	9	Colore	000-002	Nessuna funzione
			003-127	Colore 1-Colore 32
128-191			Macro Colore 1-16	
192-255			Fade Colore 1-16	
10	Velocità	000-255	Velocità integrata, da lento a veloce (Macro Colore & Fade Colore)	

6.3 Modalità Master/Slave

In modalità Master/Slave, un dispositivo funzionerà come Master e tutti gli altri dispositivi collegati in cascata funzioneranno come Slave in sincronia con il dispositivo Master.

1) Master/Slave con CAVO RJ45 DMX

Prima di tutto, collegare tutti gli apparecchi in cascata con cavi RJ45 DMX. Quindi configurare il dispositivo come di seguito:

1. Premere il pulsante "MENU", scorrere "SU" o "GIÙ" fino a visualizzare "SLAu". Premere "ENTER" e poi premere "nAST". L'apparecchio ora funzionerà come unità Master.
2. Impostare tutti gli altri apparecchi come "SL 1" nel sottomenu "SLAu". Tutti questi apparecchi collegati funzioneranno ora come unità Slave.
3. Selezionare un programma dall'unità Master (Static Color/Strobo/Auto Run/Fade/Sound Mode). Tutti gli apparecchi Slave eseguiranno lo stesso programma in sincronia con l'unità Master.

2) Master/Slave in Modalità Wireless

PORTRAIT Q-Air Mini ha 7 ID wireless con 7 diversi colori per l'indicatore LED. Per far funzionare i dispositivi in modalità Master/Slave, eseguire le seguenti operazioni:

Prima di tutto, premere il "Tasto di selezione DMX" (5) per selezionare l'ID wireless. L' "Indicatore Wireless" (1) di tutti gli apparecchi deve essere dello stesso colore. Ciò significa che tutti i PAR si trovano nella stessa banda wireless (nello stesso gruppo).

Ora è necessario impostare il dispositivo come spiegato di seguito.

1. Premere il pulsante "MENU", scorrere "SU" o "GIÙ" fino a visualizzare "SLAu". Premere "ENTER" e poi premere "nAST". L'apparecchio ora funzionerà come unità Master.
2. Impostare tutti gli altri apparecchi come "SL 1" nel sottomenu "SLAu". Tutti questi apparecchi collegati funzioneranno ora come unità Slave.
3. Selezionare un programma dall'unità Master (Static Color/Strobo/Auto Run/Fade/Sound Mode). Tutti gli apparecchi Slave eseguiranno lo stesso programma in sincronia con l'unità Master.

6.4. Modalità Sound

Il dispositivo può funzionare in modalità Sound attivando i programmi preimpostati per seguire la musica.

1. Premere "MENU", scorrere "SU" o "GIÙ" fino a visualizzare "Auto" sul display. Premere "ENTER" per accedere al sottomenu.
2. Selezionare "SoUn" e premere "ENTER", quindi "on" e di nuovo "ENTER" per attivare la modalità Sound.
3. Premere "MENU" fino ad uscire da tutti i sottomenu. Il PAR funziona ora in modalità Sound.

Se non viene rilevato alcun suono, i colori cambiano a velocità prestabilita.

6.5. Modalità Auto Run

Il dispositivo può funzionare in modalità Auto Run per far cambiare automaticamente tutti i colori a una velocità prestabilita. Si prega di fare riferimento al punto 2 del paragrafo "6.6. Telecomando IR" a pagina 40.

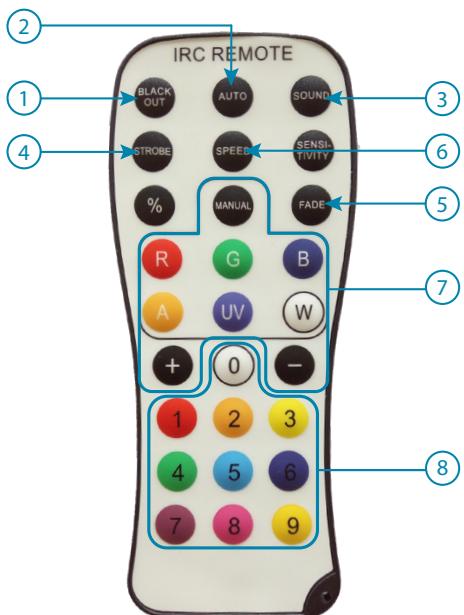
6.6. Telecomando IR

Questa modalità operativa consente agli utenti di controllare l'apparecchiatura con un telecomando a infrarossi.

⚠ Nota: Assicuratevi che l'apparecchio sia impostato su Master "nAST" per poterlo controllare con il telecomando. Per impostare l'apparecchio in modalità Master fare riferimento al punto 1 del paragrafo "1) Master/Slave con CAVO RJ45 DMX" a pagina 38

Per attivare il telecomando IR, premere il tasto "MENU", scorrere "SU" o "GIÙ" fino a visualizzare "ir" e premere "ENTER". Selezionare "on" per attivare il telecomando IR e premere "ENTER" per confermare. Premere il pulsante "MENU" fino ad uscire da tutti i sottomenu.

Per controllare il dispositivo con il telecomando, assicurarsi di puntarlo direttamente verso i sensori di ricezione infrarossi (15) del dispositivo. Assicurarsi che non vi siano oggetti tra il telecomando il dispositivo.



1. Imposta il dispositivo in BLACKOUT (LED spenti ma dispositivo funzionante). Assicurarsi di uscire dalla modalità BLACKOUT prima di passare ad un'altra modalità ripremendo il tasto BLACKOUT.
2. Imposta il dispositivo da qualsiasi modalità alla modalità AUTO. Tutti i colori cambiano automaticamente a una velocità preimpostata.
3. Imposta l'apparecchiatura in modalità SOUND.
4. Attiva la modalità STROBO. Lo Strobo rimane acceso fino al rilascio del pulsante.
5. Imposta il dispositivo da qualsiasi modalità alla modalità FADE.
6. In modalità FADE, regola la velocità della dissolvenza. Premere per passare da

SP1 (più lento) a SP9 (più veloce).

7. Imposta il dispositivo da qualsiasi modalità alla modalità MANUAL. Premere uno dei pulsanti "R, G, B, A, UV, W" per regolare la luminosità di un singolo colore premendo i pulsanti "+" o "-". I valori vanno da 0 (minima luminosità) a 255 (massima luminosità).
8. Colori Statici. Premere il pulsante "0" per primo, per poi poter selezionare tutti gli altri colori. I colori vanno da 0 a 9.

7 - MANUTENZIONE

7.1 Manutenzione Generale

L'operatore deve assicurarsi che le installazioni relative alla sicurezza e tecniche della macchina debbano essere periodicamente ispezionate da un esperto, secondo la legislazione locale. Durante un test di accettazione, si prega di controllare i seguenti punti.


- Assicurarsi che i collegamenti siano puliti e completamente asciutti prima di collegare l'apparecchiatura o fornire energia elettrica.
- Tutte le viti utilizzate per l'installazione del dispositivo o delle parti del dispositivo devono essere serrate in modo sicuro e non devono essere corrose.
- Il dispositivo ha lenti ottiche; gli utenti devono pulire periodicamente le lenti per ottimizzare l'emissione di luce. La frequenza di pulizia dipende dall'ambiente in cui è installato il dispositivo. Un ambiente umido, fumoso o particolarmente sporco può causare un maggiore accumulo di sporco sulle lenti. Anche in un ambiente pulito, si consiglia di pulire l'obiettivo e l'alloggiamento almeno una volta al mese. Si consiglia di utilizzare un panno morbido con un normale detergente per vetri.

Durante la manutenzione devono essere considerati seguenti punti:

- Spegnerne l'apparecchiatura prima di pulirla.
- Pulire l'obiettivo con una soluzione delicata di detergente per vetri o alcool isopropilico e un panno di cotone morbido privo di lanugine o un panno per la pulizia delle lenti.
- Lucidare delicatamente le superfici di vetro esterne fino a renderle prive di opacità e residui.

7.2 Manutenzione e Carica della Batteria

Il PORTRAIT Q-Air Mini è dotato di una batteria al litio ricaricabile e di un circuito di ricarica auto-range integrato. Seguire le istruzioni seguenti per garantire un uso, una durata e una manutenzione corretti.

 **Conservare sempre gli apparecchi con la batteria carica. Non conservare mai la batteria quando è completamente scarica. Ricaricare sempre immediatamente**

quando è scarica. Le batterie parzialmente cariche perderanno capacità. Ricaricare completamente ogni 6 mesi se non utilizzato.

⚠ Prima di caricare l'apparecchiatura, assicurarsi che la tensione e la frequenza dell'alimentazione corrispondano ai requisiti di alimentazione del prodotto.

⚠ L'autonomia della batteria diminuirà di volta in volta e potrebbe essere leggermente più breve di quanto previsto a causa dei diversi ambienti di lavoro.

Per caricare la batteria, collegare il cavo di alimentazione all'ingresso di alimentazione dell'apparecchiatura e collegare il cavo di alimentazione alla rete elettrica. La batteria inizierà a caricarsi automaticamente. Il caricabatterie ha un ingresso a 90-240 V CA, 50/60 Hz. Un tempo di ricarica normale è di circa 5 ore.

C'è un indicatore di carica sull'alimentatore che controlla lo stato di ricarica della batteria. La luce rossa si accenderà per tutto il tempo di ricarica. Una volta che la batteria è completamente carica, l'indicatore si accende in verde. Scollegare l'apparecchiatura dalla fonte principale, ora l'apparecchiatura può funzionare senza cavi.

Per controllare lo stato della batteria dell'apparecchio, premere "MENU", scorrere "SU" o "GIÙ" fino a visualizzare "bAtt". Premere "ENTER" e il display visualizzerà la percentuale di batteria residua.

Si consiglia di caricare l'apparecchiatura a una temperatura ambiente compresa tra 0 ° C e 35 ° C.

Se l'apparecchio è carico ma non è in funzione, tenere sempre l'interruttore "Off".

⚠ Nota: Quando la batteria deve essere sostituita, utilizzare soltanto quella originale fornita dal produttore.

7.3 Sostituzione della batteria

Questo apparecchio è dotato di un pacco batteria ricaricabile agli ioni di litio. Quando la batteria si esaurisce, è necessario sostituirla con una nuova. Queste batterie possono essere acquistate da rivenditori specializzati.

Ti consigliamo di contattare un centro di assistenza autorizzato CENTOLIGHT, poiché la sostituzione comporta lo smontaggio del dispositivo. Non è particolarmente difficile, ma potrebbe essere necessario utilizzare una stazione saldatrice e sostituire alcuni fermagli di fissaggio per collegare i due poli del nuovo pacco batteria ai fili preesistenti.

⚠ ATTENZIONE: Ti consigliamo di contattare un centro di assistenza autorizzato CENTOLIGHT.

7.4. Istruzioni per la sicurezza e lo smaltimento della batteria

Seguire le istruzioni seguenti per la manipolazione sicura e il corretto smaltimento delle batterie da parte dell'utente.

Assicurarsi che la batteria venga smaltita correttamente in base alle leggi locali quando si esaurisce, in modo da proteggere l'ambiente. Alcune batterie possono essere riciclate e possono essere accettate per lo smaltimento presso il centro di riciclaggio locale.

- Si prega di contattare l'assistenza clienti CENTOLIGHT in caso di domande sulla corretta gestione delle batterie. Le batterie possono presentare un rischio di incendio, esplosione o ustioni chimiche se non trattate in modo adeguato.
- Non disassemblare, forare, modificare, far cadere, lanciare o provocare altri shock non necessari alle batterie.
- Non gettare le batterie nel fuoco o nell'inceneritore di rifiuti, né lasciarle in luoghi caldi come un'automobile alla luce diretta del sole.
- Non conservare le batterie vicino a un forno, una stufa o un'altra fonte di calore.
- Non collegare le batterie direttamente a una fonte elettrica, come una presa di corrente dell'edificio o un punto di alimentazione dell'automobile.
- Non posizionare le batterie in un forno a microonde o in altri contenitori ad alta pressione.
- Non immergere le batterie in acqua o bagnarle in altro modo.
- Non cortocircuitare le batterie; ad esempio, non trasportare batterie scariche in una tasca o in una borsa con altri oggetti metallici, che potrebbero inavvertitamente causare un corto circuito della batteria.
- Non utilizzare batterie o, caricare batterie ricaricabili, che sembrano avere perdite scolorite, arrugginite, deformate; che emettono uno strano odore; o sono, in qualche altro modo, anormali.
- Non toccare direttamente le batterie che hanno perdite; indossare guanti in materiale protettivo per rimuovere le batterie e quindi, smaltirle immediatamente in modo corretto.
- Non invertire la polarità (terminali positivi e negativi) delle batterie.
- Non continuare a caricare le batterie oltre il tempo specificato.
- Non fare toccare le batterie ai bambini piccoli e conservarle dove i bambini non possano accedere.
- Non mettere le batterie in bocca. In caso di ingestione, contattare immediatamente il medico o il centro antiveleni locale.

8 - SPECIFICHE TECNICHE

Sorgente luminosa	4x12W LED RGBWAUV 6-in-1
Angolo del Fascio luminoso	15°
Angolo Campo Illuminato	29°
CRI	≥90
Durata vita dei LEDs	50,000 ore
Funzionamento Flicker-Free	Sì
Modalità di controllo	DMX512, Master/Slave, Stand Alone, DMX Wireless, Telecomando IR, Sound control, Auto Run.
Canali DMX	Modalità 6Ch o 10Ch selezionabili
Pannello di controllo	Display LCD
Alimentazione in ingresso	90-240V CA 50/60Hz
Consumo in potenza	Max. 55W
Connettore di alimentazione	5.5mm
Tipo di batteria	Ricaricabile agli ioni di litio
Tempo di carica	Circa 5 ore
Durata della batteria	4 ore a colori pieni a partire da una carica completa 15 ore di funzionamento a colore singolo
Temperatura di lavoro	-10°C - 45°C
Temperatura di carica	0°C - 35°C
Valutazione IP	IP20
Raffreddamento	Raffreddamento naturale con funzionamento silenzioso
Materiale involucro	Metallo rigido
Colore involucro	Nero
Dimensioni prodotto(LxPxA)	134 x 134 x 130 mm (5.27 x 5.27 x 5.11 in)
Peso netto	1.9 kg - 4.18 lbs.
Dimensioni imballo(LxPxA)	180 x 175 x 200 mm (7.09 x 6.89 x 7.87 in)
Peso lordo	2.5 kg - 5.51 lbs.

Nota: i nostri prodotti sono soggetti a un processo di sviluppo continuo. Pertanto le modifiche alle caratteristiche tecniche restano soggette a modifiche senza preavviso.

9 - GARANZIA E ASSISTENZA

Tutti i prodotti CENTOLIGHT sono coperti da garanzia di due anni. Essa è valida dalla data di acquisto, come indicato dal documento di acquisto. I seguenti casi/ componenti non sono coperti dalla garanzia di cui sopra:

- Tutti gli accessori forniti con il prodotto
- Uso improprio
- Guasto dovuto all'usura
- Ogni modifica del prodotto effettuata dall'utente o da terzi

CENTOLIGHT soddisfa gli obblighi di garanzia dovuti a eventuali materiali non conformi o difetti di fabbricazione, rimediando gratuitamente e a discrezione di CENTOLIGHT, sia mediante riparazione o sostituendo singole parti o l'intero apparecchio. Eventuali parti difettose rimosse da un prodotto durante il corso di una richiesta di garanzia diventano di proprietà di CENTOLIGHT.

Durante il periodo di garanzia, i prodotti difettosi possono essere restituiti al rivenditore CENTOLIGHT con prova di acquisto originale. Per evitare danni durante il trasporto, si prega di utilizzare l'imballo originale (se disponibile). In alternativa, inviare il prodotto a SERVICE CENTER CENTOLIGHT - Via Enzo Ferrari, 10 - 62017 Porto Recanati - Italia. Per inviare un prodotto al centro di assistenza è necessario un numero di RMA. Le spese di trasporto devono essere coperte dal proprietario del prodotto.

Per ulteriori informazioni visitate il sito www.centolight.com

10 - AVVISO UE E SEE (NORVEGIA, ISLANDA, LIECHTENSTEIN)

LEGGETE ATTENTAMENTE - Questo simbolo indica che il prodotto non deve essere smaltito con i rifiuti domestici, in base alla direttiva RAEE (2202/96/CE) e legislazione nazionale.



Il prodotto deve essere consegnato a un centro di raccolta differenziata o, in caso di ritiro dell'usato quando si acquista un nuovo prodotto simile, ad un rivenditore autorizzato per il riciclaggio di apparecchiature elettriche ed elettroniche (WEEE).

Un uso improprio di questo tipo di rifiuti può avere un impatto negativo sull'ambiente e sulla salute umana a causa di sostanze potenzialmente pericolose che sono generalmente associate alle apparecchiature elettriche ed elettroniche. Allo stesso tempo, la vostra collaborazione per il corretto smaltimento di questo prodotto contribuirà a un utilizzo efficace delle risorse naturali.

Per ulteriori informazioni sui punti di raccolta delle apparecchiature da rottamare, contattate il comune, l'autorità di gestione dei rifiuti, strutture coinvolte nel sistema RAEE o il servizio di smaltimento dei rifiuti domestici.



www.centolight.com



This product is imported in EU by
Questo prodotto viene importato nella UE da

FRENEXPORT SPA - Via Enzo Ferrari, 10 - 62017 Porto Recanati - Italy

CentoLight® is a registered trademark of FRENEXPORT SPA - Italy
CentoLight® è un marchio di fabbrica registrato di FRENEXPORT SPA - Italia



www.centolight.com