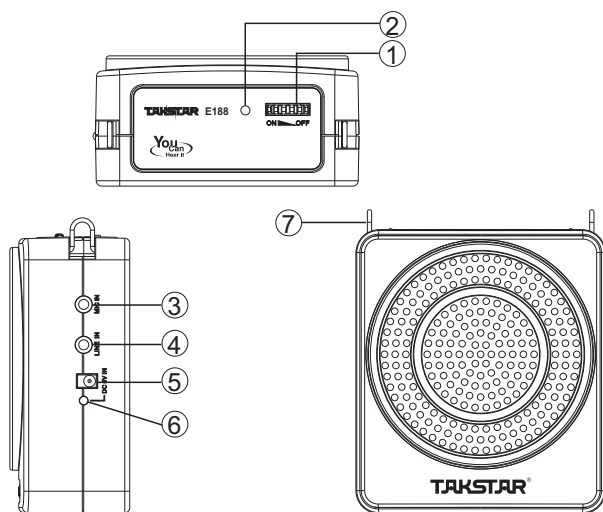


Welcome to use TAKSTAR portable digital voice amplifier. This product is ideal for teaching, tour guide etc. because of the excellent digital technology, long battery playtime and high output power. Please read this user manual detailedly before using to make sure the correct operation.

Features

- Digital circuitry technology, 10W output power
- High-efficiency and strong-magnetism neodymium iron boron speaker features light weight, excellent sound quality and loud output volume
- LOW-THD AT Adaptive Technology features low distortion even at high output power
- Built-in high capacity rechargeable lithium-ion battery
- Built-in MCU intelligent recharging management system for secure battery charging and discharging, fast charging time (4-6hrs) and long play time (more than 20hrs)
- With AUX audio signal input function, as a small speaker
- Exquisite and durable design
- Choices of waist or shoulder hanging wear style for convenient use

Function Illustration



- ① Power switch with volume control: Turn the wheel ① to the left until you hear a clicking sound "Di", the amplifier is now switched on and the power LED ② will light, turn left for louder voice, turn right for lower voice until power off.
- ② Power indicator: It will light green when the amplifier is power-on. If the battery is low, it will turn red, please recharge the battery in time.
- ③ Microphone input socket: insert the microphone $\Phi 3.5$ mm plug into this socket; do not point the microphone directly to amplifier, or it will cause howling.
- ④ Line input socket: Plug signal such as DVD, MP3 into the LINE IN socket with a $\Phi 3.5$ mm audio cable, the amplifier will be used as a speaker.
- ⑤ DC 5V/600-750mA power adaptor socket.

⑥ Recharging Indicator: Plug in the power adaptor into socket ⑤, the indicator will light, indicating that the rechargeable battery is under charging. The indicator will change from red to green when the battery is fully charged.

⑦ Hanging buckle

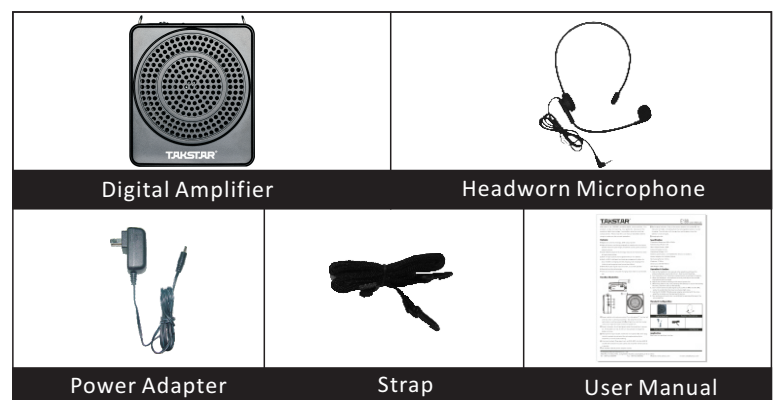
Specification

Frequency Response: 80Hz-12kHz
 Rated Output Power: 5W
 Max. Output Power: 10W
 Output Impedance: 4 Ω
 Operating Voltage: 3.7V
 Battery specification: 3.7V/2000mAh lithium-ion battery
 Power Adaptor: DC 5V/600-750mA
 Recharging Period: 4-6hrs
 Playtime: ≥ 20 hrs
 Dimension: 86 \times 98 \times 46mm
 Net Weight: 350g

Operation & Caution

1. Aim at the headworn mic capsule when speaking and keep the distance between vocal and mic as 1-2cm to avoid howling.
2. Put the battery into the battery compartment according to the polar.
3. Wear the headworn microphone correctly and adjust the suitable microphone pick-up angle.
4. Adjust the volume according to the actual space size.
5. When long time no use, fully recharge the battery to assure the battery life time, and then take out the battery.
6. Don't insert external audio signal such as DVD or MP3 into the MIC socket to avoid distortion due to extreme high voice.
7. Use the DC 5V/600-750mA power adapter provided with the voice amplifier to make sure the best performance.
8. Non professional technician is prohibited to open/modify/repair the voice amplifier.

Standard Configuration



Application

Teaching, tour guiding, training.

WARNING

PLEASE READ CAREFULLY – EU and EEA (Norway, Iceland and Liechtenstein) only



This symbol indicates that this product is not to be disposed of with your household waste, according to the WEEE Directive (2002/96/EC) and your national law.

This product should be handed over to a designated collection point, e.g., on an authorized one-for-one basis when you buy a new similar product or to an authorized collection site for recycling waste electrical and electronic equipment (WEEE).

Improper handling of this type of waste could have a possible negative impact on the environment and human health due to potentially hazardous substances that are generally associated with EEE. At the same time, your cooperation in the correct disposal of this product will contribute to the effective usage of natural resources.

For more information about where you can drop off your waste equipment for recycling, please contact your local city office, waste authority, approved WEEE scheme or your household waste disposal service.



MADE IN CHINA

This product is imported in EU by
FRENEXPORT SPA – Via Enzo Ferrari, 10 - 62017 Porto Recanat - Italy



TAKSTAR® is a registered trademark of GUANGDONG TAKSTAR ELECTRONICS CO LTD