



PLOT 120F

120W Mini Led Fresnel Light with Rotatable Barn door
Faro Fresnel Compatto con Led da 120W e Alette Ruotabili

User Manual

Manuale Utente

Carefully read this manual and properly take care of it
Leggete questo manuale e conservatelo per future consultazioni



Dear customer,

First of all thanks for purchasing a CENTOLIGHT® product. Our mission is to satisfy all possible needs of light designers and professionals of entertainment lighting, by offering a wide range of products based on the latest technologies.

We hope you will be satisfied with this fixture and, if you want to collaborate, we are looking for a feedback from you about product operation and possible improvements to be introduced in the next future. Go to our website www.centolight.com and send an e-mail with your opinion; this will help us to build equipment ever closer to professional's real requirements.

The CENTOLIGHT Team

Gentile Cliente,

Grazie per aver scelto un prodotto CENTOLIGHT®. La nostra missione è quella di soddisfare ogni possibile richiesta da parte di light designers e professionisti dell'illuminotecnica per l'intrattenimento, offrendo una vasta gamma di apparecchiature basate su tecnologie di ultima generazione.

Speriamo di aver soddisfatto le vostre aspettative e, se voleste collaborare, saremo lieti di ricevere un vostro feedback sulla qualità del prodotto al fine di migliorare costantemente la nostra produzione. Visitate il nostro sito www.centolight.com ed inviateci una mail con la vostra opinione; questo ci aiuterà a sviluppare nuovi prodotti quanto più vicini alle vostre esigenze.

Il Team CENTOLIGHT

TABLE OF CONTENTS

1 - Before you Begin	4
1.1. What is included- - - - -	4
1.2. Unpacking Instructions - - - - -	4
1.3. Accessories - - - - -	4
1.4. Disclaimer - - - - -	4
2 - Safety Instructions	5
2.1. Symbols Meaning - - - - -	5
3 - Mounting and Rigging	5
3.1. Rigging - - - - -	6
3.2. Water / Moisture - - - - -	6
3.3. Heat - - - - -	6
3.4. Servicing - - - - -	7
4 - Introduction	7
4.1. Features - - - - -	7
4.2. Product Dimensions- - - - -	8
5 - Product Setup	8
5.1. Rear Panel Description- - - - -	8
5.2. About Dmx Connection - - - - -	10
5.3. DMX Terminator - - - - -	10
5.4. 3-Pin vs 5-Pin DMX cables - - - - -	11
6 - Menu Operation	11
6.1. Setting the DMX Address - - - - -	11
6.2. DMX Channel Assignments and Values - - - - -	12
7 - Lux Chart	12
8 - Troubleshooting	13
9 - Specification	14
10 - Warranty And Service	15
11 - Warning	16

1 - BEFORE YOU BEGIN

Thank you for purchasing PLOT 120F. Enjoy your new equipment and make sure to read this manual carefully before operation! This user manual is made to provide both an overview of controls, as well as information on how to use them.

1.1. What is included

Package include:

- 1x CENTOLIGHT PLOT 120F Fresnel Light
- 1x 1.2m (47in ca.) Powercon to Europlug power cable
- 1X 1.2m (47in ca.) DMX Cable 3-pin XLR-M to 3-pin XLR-F
- This User Manual

⚠ ATTENTION: Packaging bag is not a toy! Keep out of reach of children!!! Keep in a safe place the original packaging material for future use.

1.2. Unpacking Instructions

Carefully unpack the product immediately and check the content to make sure all the parts are in the package and are in good condition. If the box or the contents (the product and included accessories) appear damaged from shipping, or show signs of mishandling, notify the carrier or dealer/seller immediately. In addition, keep the box and contents for inspection.

If the fixture must be returned to the manufacturer, it is important that it is returned in the original manufacturer box and packing. Please do not take any action without first contacting your dealer or getting in touch with our after-sales support service (visit www.centolight.com for details).

1.3. Accessories

CENTOLIGHT can supply a wide range of quality accessories that you can use with your PLOT Series equipment, like Cables, Splitters, DMX controllers, and a wide range of other fixtures. Ask your CENTOLIGHT dealer or check out our website www.centolight.com. All products in our catalogue has been long tested with this device, so we recommend you to use Genuine CENTOLIGHT Accessories and Parts.

1.4. Disclaimer

The information and specifications contained in this Manual are subject to change without notice. CENTOLIGHT assumes no responsibility or liability for any errors or omissions and reserves the right to revise or to create this manual at any time.

Copyright© 2021 CENTOLIGHT. All rights reserved.

2 - SAFETY INSTRUCTIONS

- Read these instructions
- Keep these instructions
- Heed all warning
- Follow all instructions

2.1 Symbols Meaning



The symbol is used to indicate that some hazardous live terminals are involved within this apparatus, even under the normal operating conditions, which may be sufficient to constitute the risk of electric shock or death.



The symbol is used to describe important installation or configuration problems. Not following advice and information on how to avoid such problems may lead to product malfunction.



This symbol indicates a protective grounding terminal.

WARNING:

Describes precautions that should be observed to prevent the danger of injury or death to the operator.



To protect the environment, please try to recycle packing material and exhausted consumables as much as possible.




This symbol indicates that the fixture is intended to indoor use only. Keep the machine dry and do not expose to rain and moisture.



Don't throw this product away just as general trash, please deal with the product follow the abandon electronic product regulation in your country.

3 - MOUNTING AND RIGGING

 **Pay attention to safety! Please respectively consider the EN 60598-2-17 and the national standard during the installation. Only authorized technicians can carry out the installation.**

3.1 Rigging

- The installation of the fixture has to be built and constructed in a way that it can hold 10 times the weight for 1 hour without any harming demolition. The installation must always be secured with a secondary safety attachment, e.g. an appropriate catch net. This secondary safety attachment must be constructed in a way that no part of the installation can fall down if the main attachment fails.
- When rigging, de-rigging or servicing the fixture staying in the area below the installation place, on bridges, under high working places and other endangered areas is forbidden. The operator has to make sure that the safety measure and the machine's technical installation is approved by an expert before taking into operation for the first time and after changes before taking into operation another time. He has also to make sure that an expert approves safety measure and the machine's technical installation once a years.

⚠ IMPORTANT: Overhead rigging requires extensive experience, including (but not limited to) calculating working load limits, installation material being used, and periodic safety inspection of all installation material and the projector. If you lack these qualifications, do not attempt the installation yourself, but instead use a professional structural rigger. Improper installation can result in bodily injury or property loss.

- If the fixture shall be lowered from the ceiling or high joists, professional trussing systems have to be used. The fixture must never be fixed swinging freely in the room.

⚠ CAUTION: Use appropriate clamps to rig the fixture on the truss. Make sure that the device is fixed properly! Ensure that the structure (truss) to which you are attaching the fixtures is secure.

3.2 Water / Moisture

- The product is for indoor use. In order to prevent risk of fire or electric shock, do not expose to rain or moisture
- The unit can not be used near water; for example near a bathtub, a kitchen sink, a swimming pool, etc.

3.3 Heat

- Do not use in a confined space. Always install the product in a location with adequate ventilation, at least 20in (50 cm) from adjacent surfaces. Be sure that no ventilation slots on the product's housing are blocked.

- The apparatus should be located away from heat sources such as radiators, stoves or other appliances that produce heat.



Do not use it when maximum ambient temperature is higher than 50°C Work temperature ranges from -20°C to 55°C (-4°F to 131°F).

3.4. Servicing

- Do not implement any servicing other than those means described in the manual. Refer all servicing to qualified service personnel only. The internal components of the equipment must be purchased from the manufacturer. Only use accessories/attachments or parts recommended by the manufacturer.

4 - INTRODUCTION

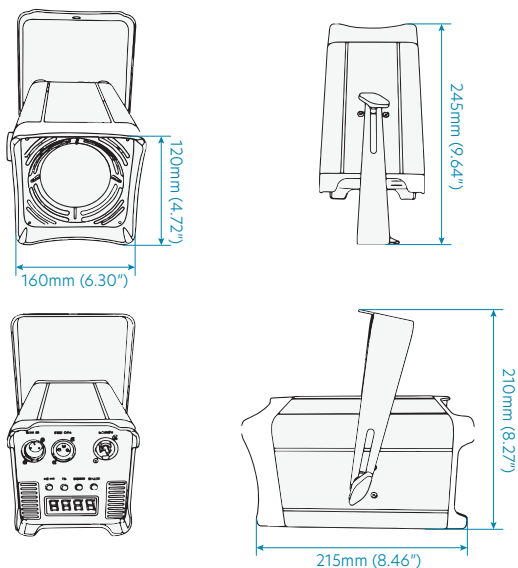
Centolight PLOT 120F is a Fresnel spot with 60° beam and 120W warm-white COB Led. It is designed for all those fixed applications where a compact fixture with warm-white light (approx. 3200K) an excellent color rendering is required.

The low-noise is based on the high quality of fans and the built-in processor that constantly balances chip temperature and fan speed, always keeping it within 20dB @ 1m distance. The fixture is equipped with rotatable barndoor.

4.1. Features

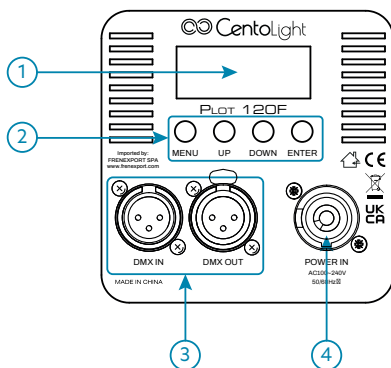
- Mini LED Fresnel Light with 60° Beam Angle
- 120W Warm-White COB LED with over 50,000h lifetime
- Color Temperature: 3200K
- Luminous Flux: 1350lux/3m
- CRI: Ra≥90
- Smooth 16-bit Dimmer
- Flicker-Free Operation
- Low-Noise Cooling System
- Rotatable Barndoor Included

4.2. Product Dimensions



5 - PRODUCT SETUP

5.1. Rear Panel Description



The operation panel includes a 4-characters LED display and the control button operation area.

1) LED Display

It shows the operating mode and all system information. Read "6 - Menu Operation" on page 11 for details on all menus.

2) Control Buttons

MENU Button - Short-press it to switch the setting pages.

UP Button - It scrolls up individual items in the selection menu and sub-menus for system settings (DMX address, Operation Mode, etc.), and increases values/settings of parameters.

DOWN Button - It scrolls down individual items in the selection menu and sub-menus for system settings (DMX address, Operation Mode, etc.), and increases values/settings of parameters.

ENTER Button - Press ENTER to access menu levels and confirm parameter value changes.

3) DMX Input/Output Sockets

DMX Input is a 3-pin male XLR socket for connection to a DMX control device. DMX output is a 3-pin female socket for sending the DMX control signal to other units. Please read "5.2. About Dmx Connection" on page 10 for details on how to manage DMX connections.

4) Power Input/Output Sockets

Plug the power-cord included with PLOT 120F into an AC socket properly configured for this fixture. Please read "About Power Connection" on page 9 for details.

About Power Connection

- Always make sure that the voltage of the outlet you are connecting the product to is within the range stated in paragraph "9 - Specification" on page 14 or rear panel of the product (AC110V-240V 50/60Hz).
- Make sure the power cord is not crimped or damaged. Never connect this product to a dimmer pack or rheostat.
- Never disconnect the product from power cord by pulling or tugging on the cord.
- To avoid electric shock, all fixtures must be connected to circuits with a suitable ground and circuit breaker.
- Wire correspondence is as follows:

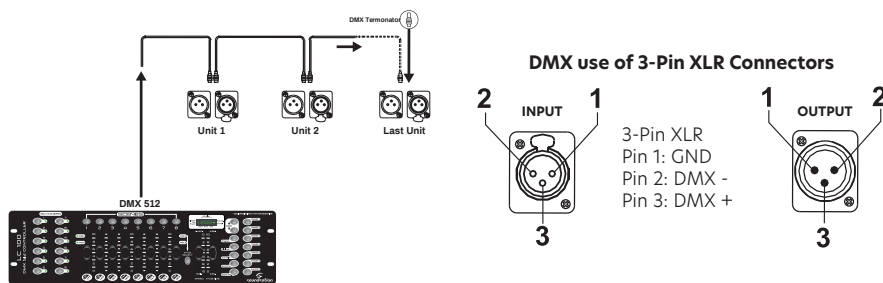
Cable (EU)	Pin	International
Brown	Live	L
Blue	Neutral	N
Yellow/Green	Earth	⊕

⚠ Earth must be connected! Always pay attention to safety! Before taking into operation for the first time, the installation has to be approved by an expert.

5.2. About Dmx Connection

⚠ When use a DMX controller, please make sure that there is no interference sources (e.g. intercom, high frequency radio waves and radiation source).

DMX machines are designed to receive data through a serial Daisy Chain. A Daisy Chain connection is where the DATA OUT of one fixture connects to the DATA IN of the next fixture. The order in which the machines are connected is not important and has no effect on how a controller communicates to each of them. Use an order that provides for the easiest and most direct cabling.

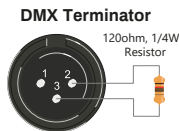


Connect machines using shielded 2-conductor twisted pair cable with 3-pin XLR male to female connectors. The shield connection is pin 1, while pin 2 is Data Negative (S-), and pin 3 is Data positive (S+).

⚠ CAUTION: Wires must not come into contact with each other, otherwise the fixtures will not work at all, or will not work properly.

5.3. DMX Terminator

DMX is a resilient communication protocol, however errors still occasionally occur. In order to prevent electrical noise from disturbing and corrupting the DMX control signals, a good habit is to connect DMX output of last fixture in the chain to a DMX terminator, especially over long signal cable runs.

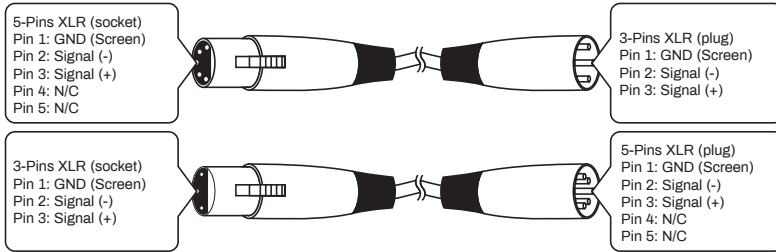


The DMX terminator is simply an XLR connector with a 120Ω (ohm), 1/4 Watt resistor connected across Signal (-) and Signal (+), respectively, pins 2 and 3, which is then plugged into the output socket on last projector in the chain. The connections are illustrated below.

⚠ Complimentary signal cable can transmit signals to 20 unit fixtures at most. Signal amplifier is a must to connect more fixtures.

5.4.3-Pin vs 5-Pin DMX cables

DMX connection protocols used by controllers and fixtures manufacturers are not standardized around the world. However, two are the most common standards: 5-Pin XLR and 3-Pin XLR system. If you wish to connect this fixture to a 5-Pin XLR input fixture, you need to use an adapter-cable or make it by yourself. Below you can see the wiring correspondence between 3-Pin and 5-Pin plug and socket standards



6 - MENU OPERATION

By pressing MENU button, the display will cycle through 5 menus. Press ENTER button to enter the corresponding menu, press UP or DOWN to modify current parameter value. Then, press ENTER button again to save current value.

No.	MENU	Function	Description
1	A001	DMX 2-Channel Mode	Press the up and down key to adjust address (001-512); press ENTER to confirm.
3	dE99	Strobe Speed	Press the up and down key to adjust Speed (000-255); press ENTER to confirm.
4	SOUD	Sound Control Mode	Enter this menu to activate sound control mode
5	U255	Wwdim	Press the up and down key to choose the Dimmer (000-255); press ENTER to confirm.

6.1 Setting the DMX Address

When selecting a starting DMX address, always consider the number of DMX channels. If you choose a starting address that is too high, you could restrict the access to some of the product channels. PLOT 120F uses 2 DMX channels, which defines the highest configurable address to 512 to have all channels controllable.

6.2 DMX Channel Assignments and Values

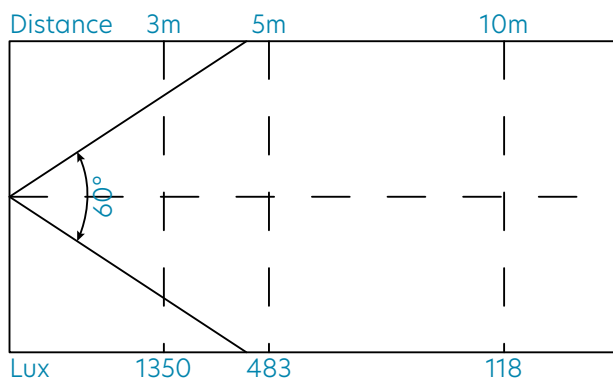
Below you can see the channel assignments.

1) 2-ch DMX512 Channel Chart

CHANNEL	FUNCTION	DESCRIPTION
Channel 1	Dimmer	0-255: Total dimming linear dimming , from Dark to Bright.
Channel 2	Strobe	0-255: Strobe speed adjustment

⚠ NOTE: Under DMX condition, without a DMX controller and in daisy-chain connection of multiple Profiles (read paragraph “About Power Connection” on page 9 to see how to make), you can achieve the Master-Slave mode. It means that the first machine of the chain controls all the other fixtures, and they follow the master one. Of course, both master and slaves must be set on same DMX address.

7 - LUX CHART



8 - TROUBLESHOOTING

Problem	Probable Cause(s)	Remedy
No response from fixture when power is applied	No power to fixture	Check power cables
		Check mains plug
Fixture does not reset correctly	Electronic failure	Contact service technician*
No light, LED cuts out intermittently, or burns out too quickly	LED missing or blown	Disconnect fixture and replace the LED
	Fixture or LED is too hot	Allow fixture to cool. If problem persists, contact service technician*
Fixture resets but does not respond correctly to controller (DMX mode operation)	Controller not connected	Connect controller
	Incorrect addressing of the fixtures	Check address setting on fixture and controller
	Bad data link connection	Inspect cables and correct poor connections and/or broken cables.
	Conflict between tracking and vector control	Eliminate scene cross-fade on controller
	Data link not terminated	Insert termination plug in output of last fixture**
	Defective fixture on 2 devices transmitting on link	Bypass fixtures one at a time until normal operation is regained: unplug both connectors and connect them directly together

* To contact CentoLight service, see "10 - Warranty And Service" on page 15 or visit www.centolight.com

** For instruction on how to install a DMX terminator, see "5.3. DMX Terminator" on page 10.

9 - SPECIFICATION

Light Source	1x120W Warm-White COB LED
Chip Life	over 50,000h
CCT (Color Temperature)	3200K
Luminous Flux	1350lux/3m - 483lux/5m
CRI	Ra≥90
Beam Angle	60°
Lens Material	Glass Fresnel Lens
Dimmer	16-Bit Smooth Linear Dimming
Dimming rate	1.2kHz (Flicker-Free)
Cooling System	Quiet Fan (under 25dB @1m) + Aluminum Heatsink
DMX Channel Modes	2 Channels (RDM Included)
Control Modes	DMX, Strobe, Manual Dimming
Control Panel	4 Buttons and LED Display
IP rate	IP20
DMX In/Out	3-pin XLR
Power Socket	Powercon In
Voltage	100~240V 50/60Hz
Max Power Consumption	150W
Working Temperature	-20÷55°C
Barndoor	Rotatable Barndoor (Included)
Max. Fixture Size (WxDxH)	245 x 160 x 120 mm - 9.64 x 6.30 x 4.72 in (C-Bracket included)
Net Weight	2,6kg - 5.73 lbs.
Packing Size (WxDxH)	200 x 180 x 280mm - 7.87 x 7.09 x 11.02in
Packing Weight	2,8kg - 6.17 lbs.

Note: Our products are subject to a process of continual further development. Therefore modifications to the technical features remain subject to change without further notice.

10 - WARRANTY AND SERVICE

All CENTOLIGHT products feature a limited two-year warranty. This two-year warranty starts from the date of purchase, as shown on your purchase receipt. The following cases/components are not covered by this warranty:

- Any accessories supplied with the product
- Improper use
- Fault due to wear and tear
- Any modification of the product effected by the user or a third party

CENTOLIGHT shall satisfy the warranty obligations by remedying any material or manufacturing faults free of charge at CENTOLIGHT's discretion either by repairing or exchanging individual parts or the entire appliance. Any defective parts removed from a product during the course of a warranty claim shall become the property of CENTOLIGHT.

While under warranty, defective products may be returned to your local CENTOLIGHT dealer together with the original proof of purchase. To avoid any damages in transit, please use the original packaging if available. Alternatively, you can send the product to CENTOLIGHT SERVICE CENTER - Via Enzo Ferrari, 10 - 62017 Porto Recanati - Italy. In order to send a product to service center, you need an RMA number. Shipping charges have to be covered by the owner of the product.

For further information please visit www.centolight.com

11 - WARNING

PLEASE READ CAREFULLY - EU and EEA (Norway, Iceland and Liechtenstein) only



This symbol indicates that this product is not to be disposed of with your household waste, according to the WEEE Directive (2012/19/UE) and your national law.

This product should be handed over to a designated collection point, e.g., on an authorized one-for-one basis when you buy a new similar product or to an authorized collection site for recycling waste electrical and electronic equipment (WEEE).

Improper handling of this type of waste could have a possible negative impact on the environment and human health due to potentially hazardous substances that are generally associated with EEE. At the same time, your cooperation in the correct disposal of this product will contribute to the effective usage of natural resources.

For more information about where you can drop off your waste equipment for recycling, please contact your local city office, waste authority, approved WEEE scheme or your household waste disposal service.

SOMMARIO

1 -	Prima Di Iniziare	18
1.1.	Cosa è Incluso - - - - -	18
1.2.	Istruzioni per il Disimballaggio - - - - -	18
1.3.	Accessori - - - - -	18
1.4.	Limiti di Responsabilità - - - - -	18
2 -	Istruzioni di Sicurezza	19
2.1.	Significato dei simboli - - - - -	19
3 -	Installazione Sospesa	19
3.1.	Installazione Sospesa - - - - -	19
3.2.	Acqua / Umidità - - - - -	20
3.3.	Calore - - - - -	20
3.4.	Manutenzione - - - - -	21
4 -	Introduzione	21
4.1.	Caratteristiche - - - - -	21
4.2.	Dimensioni e Panoramica del Prodotto - - - - -	22
5 -	Setup del prodotto	22
5.1.	Descrizione del pannello posteriore - - - - -	22
5.2.	Connessioni di Rete - - - - -	23
5.3.	Connessioni DMX - - - - -	24
5.4.	Terminatore DMX - - - - -	24
5.5.	Cavi DMX 3-Poli/5-Poli - - - - -	25
6 -	Funzionamento dei Menu	25
6.1.	Impostazione dell'indirizzo DMX - - - - -	25
6.2.	Assegnazioni e valori dei canali DMX - - - - -	26
7 -	Grafico Dei Lux	26
8 -	Risoluzione dei Problemi	27
9 -	Specifiche Tecniche	28
10 -	Garanzia e Assistenza	29
11 -	Avviso UE e SEE (Norvegia, Islanda, Liechtenstein)	30


1 - PRIMA DI INIZIARE

Grazie per aver acquistato PLOT 120F. Prima di iniziare, assicuratevi di leggere attentamente questo manuale! Il presente manuale fornisce una panoramica dei controlli e informazioni sul loro utilizzo.

1.1. Cosa è Incluso

La confezione include:

- 1x Sagomatore CENTOLIGHT PLOT 120F
- 1X Cavo di Rete da 1.2m (47in circa) con connettore Powercon e Europlug
- 1x Cavo da 1.2m (47in circa) DMX XLR 3pin Maschio - XLR 3-pin Femmina
- Questo Manuale d'uso

 **ATTENZIONE** La confezione non è un giocattolo! Tenere fuori dalla portata dei bambini! Conservare in un luogo sicuro il materiale di imballaggio originale.

1.2. Istruzioni per il Disimballaggio

Tirare fuori dall'imballo il prodotto con attenzione e controllare che tutte le parti siano nella confezione e siano in buone condizioni. Se la confezione o il contenuto (il prodotto e gli accessori inclusi) risultano danneggiati dalla spedizione o mostrano segni di maltrattamento, avvisare immediatamente il vettore o il rivenditore. Inoltre, conservare la scatola e il contenuto per una eventuale ispezione.

Se l'apparecchiatura dovesse essere restituita, è importante che venga riportata o spedita nell'imballo originale del produttore. Si prega di non intraprendere alcuna azione senza prima contattare il proprio rivenditore o aver contattato il nostro servizio di assistenza post-vendita (visitare www.centolight.com per i dettagli).

1.3. Accessori

CENTOLIGHT fornisce un'ampia gamma di accessori di qualità che è possibile utilizzare con le apparecchiature della serie PLOT, come cavi, splitter, controller DMX, materiali di consumo e un'ampia gamma di altri fari. Chiedete al vostro rivenditore CENTOLIGHT o visitate il nostro sito web www.centolight.com. Tutti i prodotti nel nostro catalogo sono stati testati a lungo con questo dispositivo.

1.4. Limiti di Responsabilità

Le informazioni e le specifiche contenute in questo manuale utente sono soggette a modifiche senza preavviso. CENTOLIGHT non si assume alcuna responsabilità per eventuali errori od omissioni e si riserva il diritto di rivedere o creare questo manuale in qualsiasi momento.

Copyright© 2021 CENTOLIGHT. Tutti i diritti riservati.

2 - ISTRUZIONI DI SICUREZZA

- Leggete queste istruzioni
- Conservate queste istruzioni
- Prestate attenzione a tutti gli avvertimenti
- Seguite tutte le istruzioni

2.1. Significato dei simboli



Questo simbolo viene utilizzato per indicare che all'interno di questo apparecchio sono presenti terminali sotto tensione, anche in condizioni operative normali, che possono essere sufficienti a costituire il rischio di scosse elettriche o morte.



Questo simbolo è usato per descrivere importanti problemi di installazione o configurazione. Il mancato rispetto dei consigli e delle informazioni su come evitare tali problemi può portare al malfunzionamento del prodotto.



Questo simbolo indica un terminale di messa a terra.

ATTENZIONE

Descrive precauzioni da osservare per prevenire lesioni o morte dell'operatore.



Per proteggere l'ambiente, cercare di riciclare il più possibile il materiale di imballaggio e i materiali di consumo esauriti



Questo simbolo indica che il dispositivo può essere usato solo all'interno. Tenere asciutto il faro e non esporre a pioggia e umidità



Non gettare questo prodotto come spazzatura generica, conferire il prodotto seguendo le normative sui rifiuti elettronici in vigore nel vostro paese.

3 - INSTALLAZIONE SOSPESA




Prestare attenzione alla sicurezza! Si prega di fare sempre riferimento alla direttiva EN 60598-2-17 e agli standard nazionali in fase di installazione. Solo personale autorizzato può eseguire l'installazione.

3.1. Installazione Sospesa


- L'installazione del dispositivo deve essere progettata e costruita in un modo che possa sopportare 10 volte il peso per 1 ora, senza alcun cedimento o danno-

giamento della struttura. L'installazione deve essere sempre protetta con un dispositivo di sicurezza secondario, ad esempio un cavo di sicurezza. Questo dispositivo deve essere realizzato in un modo tale che nessuna parte del prodotto possa cadere se il fissaggio principale cedesse.

- Durante le operazioni di montaggio, smontaggio o manutenzione del faro è vietato consentire lo stazionamento o anche solo il passaggio nell'area sottostante l'installazione. L'operatore deve assicurarsi che l'installazione e i sistemi di sicurezza siano approvati da un esperto prima di avviare per la prima volta il funzionamento dopo aver apportato qualsiasi modifica. Deve inoltre assicurarsi che un esperto approvi nuovamente l'installazione e i dispositivi di sicurezza ogni anno.

 **IMPORTANTE** il montaggio su strutture sospese richiede un'esperienza specifica; tra cui (ma non soltanto) il calcolo dei limiti di carico di lavoro, la scelta del materiale di installazione e l'ispezione periodica del proiettore e dei dispositivi di sicurezza. Se non si dispone di tali qualifiche, è bene non procedere con l'installazione da soli, ma si consiglia di rivolgersi a professionisti specializzati. L'installazione impropria può provocare lesioni personali anche molto gravi.

- Se il faro deve essere alzato verso/o abbassato dal soffitto o da travi sospese, è consigliabile usare sistemi di tralici professionali. L'apparecchio non deve mai essere lasciato oscillare liberamente.

 **ATTENZIONE** utilizzare i morsetti appropriati per montare l'apparecchio sul traliccio. Assicurarsi che il dispositivo sia fissato correttamente e che il traliccio stesso sia sicuro.

3.2. Acqua / Umidità

- Il prodotto è per uso interno. Al fine di prevenire il rischio di incendio o scosse elettriche, non esporre a pioggia o umidità
- L'unità non può essere utilizzata vicino all'acqua; ad esempio vicino a una vasca da bagno, un lavello da cucina, una piscina, ecc.

3.3. Calore

- Non usare in uno spazio ristretto. Installare sempre in una posizione con un'adeguata ventilazione, almeno 20" (50 cm) da superfici adiacenti. Assicurarsi che nessuna fessura di ventilazione sull'alloggiamento del prodotto sia bloccato.
- L'apparecchio deve essere posto lontano da fonti di calore come radiatori, stufe o altri apparecchi che producono calore.

 **Non usarlo quando la temperatura massima ambientale è superiore a 50 °C** La

temperatura ottimale di lavoro va da -20 °C a 55 °C (da -4 °F a 131 °F).

3.4. Manutenzione

- Non effettuare alcuna manutenzione diversa da quelle descritte nel presente manuale. In caso di ulteriori manutenzioni, rivolgersi a personale specializzato. Eventuali componenti interni devono essere acquistati da rivenditori specializzati. Utilizzare solo accessori o parti raccomandate dal produttore.

4 - INTRODUZIONE

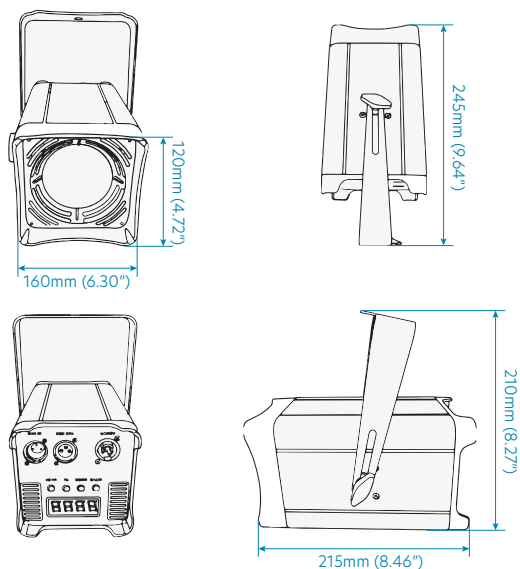
Centolight PLOT 120F è un faro Fresnel bianco caldo a LED COB con fascio luminoso a 60°. Nasce per soddisfare tutte quelle applicazioni in installazioni fisse dove è richiesto un faro compatto e un'illuminazione bianca calda (ca. 3.200K) con una ottima resa cromatica.

La silenziosità è garantita dalla qualità della ventola di raffreddamento e dal controllo tramite processore che garantisce il miglior equilibrio tra temperatura e velocità della ventola, sempre comunque mantenuta entro i 20dB @ 1m di distanza. Il faro è dotato di barndoor ruotabili.

4.1. Caratteristiche

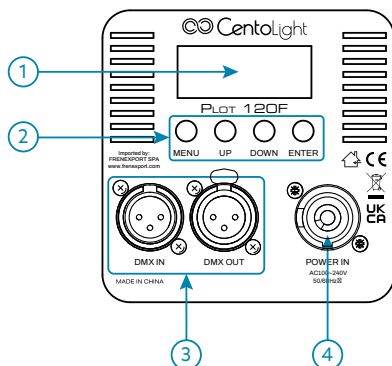
- Mini faro Fresnel a LED con fascio luminoso a 60°
- LED COB da 120W con durata superiore a 50.000h
- Temperatura colore 3200K
- Flusso luminoso 1350lux / 3m
- CRI $ra \geq 90$.
- Regolazione Dimmer di precisione a 16 bit
- Funzionamento Flicker-Free
- Sistema di raffreddamento a bassa rumorosità
- Alette ruotabili (incluse)

4.2. Dimensioni e Panoramica del Prodotto



5 - SETUP DEL PRODOTTO

5.1. Descrizione del pannello posteriore



Il pannello di comando presenta un display LED da 4 caratteri e un'area di funzionamento per il controllo dei pulsanti.

1) Display LED a 4 cifre

Mostra la modalità operativa e tutte le informazioni di sistema. Leggere "6 - Funzionamento dei Menu" a pagina 25

2) Pulsanti di controllo

Tasto MENU - Premere ripetutamente per passare da una pagina all'altra.

Tasto UP - Consente di scorrere le singole voci del menu di selezione e dei sotto-menu per le impostazioni del sistema (indirizzo DMX, modalità operativa, ecc.) e di aumentare i valori e le impostazioni dei parametri.

Tasto DOWN - Consente di scorrere le singole voci del menu di selezione e dei sotto-menu per le impostazioni del sistema (indirizzo DMX, modalità operativa, ecc.) e di diminuire i valori e le impostazioni dei parametri.

Tasto ENTER - Premere per accedere ai livelli dei menu e confermare le modifiche del valore dei parametri.

3) Prese di ingresso / uscita DMX

L'ingresso DMX è una presa XLR maschio a 3 pin per la connessione a una centralina di controllo DMX. L'uscita DMX è presa femmina a 3-PIN per l'invio del segnale di controllo DMX ad altri fari. Leggere "5.3. Connessioni DMX" a pagina 24 per informazioni su come collegare i cavi DMX.

4) Prese di Alimentazione in Ingresso/Uscita

Collegare il cavo di alimentazione in dotazione a una presa di corrente adatta a questa apparecchiatura. Leggere "5.2. Connessioni di Rete" a pagina 23 per dettagli.

5.2. Connessioni di Rete

- Assicurarsi sempre che la tensione della presa a cui si collega il prodotto sia nell'intervallo indicato nel paragrafo "9 - Specifiche Tecniche" a pagina 28 (AC110V-240V; 50/60Hz).
- Assicurarsi che il cavo di alimentazione non sia spellato o danneggiato. Non collegare mai questo prodotto a un Dimmer Pack o un Variatore di Tensione.
- Non scollegare mai il prodotto dal cavo di rete tirando o tirando il cavo.
- Per evitare scosse elettriche, tutti gli apparecchi devono essere collegati a circuiti con interruttore automatico.
- La corrispondenza dei fili interni al cavo è la seguente:

Colore Filo (EU)	Funzione	Nomenclatura Internazionale
Marrone	Fase	L
Blu	Neutro	N
Giallo/Verde	Terra	⊕

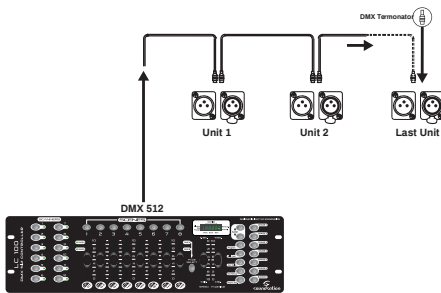
 **La Terra deve essere collegata! Prima di mettere in funzione per la prima volta.**

far approvare l'installazione da un esperto.

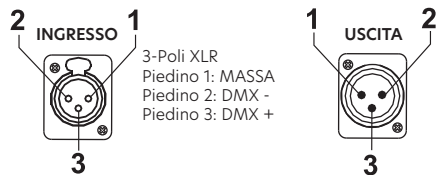
5.3. Connessioni DMX

⚠ Quando si utilizza un controller DMX, assicurarsi che non vi siano fonti di interferenza (interfono, onde radio ad alta frequenza e sorgenti di radiazioni).

Gli apparecchi DMX sono progettati per ricevere dati attraverso una catena seriale a cascata. Questo tipo di connessione permette di collegare il DMX OUT di un dispositivo al DMX IN del dispositivo successivo. L'ordine in cui i fari sono collegati non è importante e non ha alcun effetto su come una centralina comunica a ciascun faro. Utilizzare un ordine che preveda il cablaggio più semplice e diretto.



Uso dei 3-Piedini nei Connettori XLR per DMX



Collegare i dispositivi utilizzando un cavo bipolare schermato a 2 conduttori con connettori XLR maschio-femmina a 3 poli. La connessione dello schermo è il piedino 1, mentre il piedino 2 è negativo (S-) e il piedino 3 è positivo (S+).

⚠ **ATTENZIONE!** I fili non devono entrare in contatto l'uno con l'altro; altrimenti i dispositivi non funzioneranno affatto o non funzioneranno correttamente.

5.4. Terminatore DMX

DMX è un protocollo di comunicazione resiliente, tuttavia si potrebbero verificare occasionalmente degli errori. I terminatori riducono gli errori di segnale; è quindi consigliabile usarle quando si verificano problemi con comportamenti irregolari degli apparecchi; specialmente se la lunghezza dei cavi DMX è elevata.

Terminatore DMX

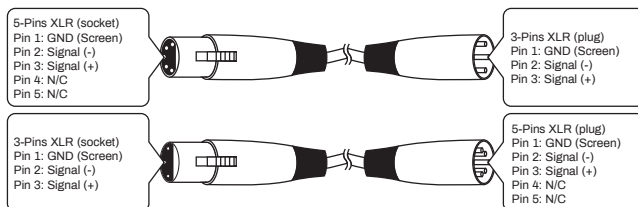


Il terminatore DMX è un connettore XLR con un resistore da 120Ω (ohm), 1/4 Watt collegato attraverso il segnale (-) e il segnale (+), rispettivamente, i pin 2 e 3, che viene quindi inserito nella presa di uscita sull'ultimo proiettore nella catena. Le connessioni sono illustrate di seguito.

⚠ Un cavo di segnale DMX standard può trasmettere segnali a 20 unità al massimo. E' necessario un amplificatore di segnale per collegare più apparecchi.

5.5. Cavi DMX 3-Poli/5-Poli

I protocolli di connessione DMX utilizzati dai produttori di centraline, teste mobili e fari non sono standardizzati in tutto il mondo. Tuttavia, due sono gli standard più comuni: XLR a 5 poli e sistema XLR a 3 poli. Se si desidera collegare questo faro a un dispositivo di ingresso XLR a 5 poli è necessario utilizzare un cavo adattatore o farlo da soli seguendo la corrispondenza di cablaggio tra gli standard di spina e presa a 3 e 5 poli.



6 - FUNZIONAMENTO DEI MENU

Premendo il pulsante MENU, sul display vengono visualizzati 5 menu. Premere il tasto ENTER per accedere al menu corrispondente, premere UP o DOWN per modificare il valore del parametro corrente. Quindi, premere nuovamente il pulsante ENTER per salvare il valore corrente.

N°	Menu	Funzione	Descrizione
1	A001	Modo DMX a 2-canali	Utilizzare UP e DOWN per regolare l'indirizzo (001-512); confermare con ENTER.
3	dE99	Velocità Strobe	Utilizzare UP e DOWN per regolare l'indirizzo (000-255); confermare con ENTER.
4	SOUD	Modalità Controllo Sound	Accedi a questo menu per attivare la modalità Sound
5	U255	Wwdim	Utilizzare UP e DOWN per regolare l'indirizzo (000-255); confermare con ENTER.

6.1. Impostazione dell'indirizzo DMX

Quando si seleziona un indirizzo DMX iniziale, considerare sempre il numero di canali DMX. Se si sceglie un indirizzo iniziale troppo alto, potresti limitare l'accesso ad alcuni canali del prodotto. PLOT 120F può utilizzare 2 canali DMX, i quali definiscono il più alto indirizzo configurabile di 512 per avere tutti i canali controllabili.

6.2. Assegnazioni e valori dei canali DMX

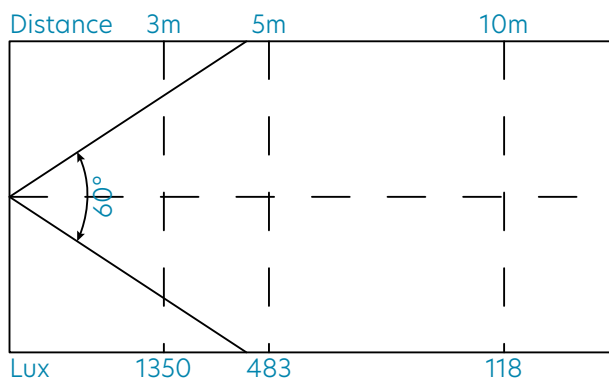
Di seguito è possibile visualizzare le assegnazioni dei canali.

1) Tabella DMX512 in modalità 2-canali

Canale	Funzione	Descrizione	
Canale 1	Dimmer	0-255	Regolazione lineare Dimmer, da scuro a luminoso.
Canale 2	Strobo	0-255	Regolazione Velocità Strobo

⚠ Nota In caso di assenza di controller DMX e connessione in cascata di più Sagomatori, è possibile attivare la modalità Master/Slave. Ciò significa che il primo faretto della catena controlla tutti gli altri dispositivi, i quali seguono il Maestro. Ovviamente, sia il master che gli slave devono essere impostati sullo stesso indirizzo DMX.

7 - GRAFICO DEI LUX



8 - RISOLUZIONE DEI PROBLEMI

Problema	Probabile Causa(e)	Rimedio
Nessuna risposta dal dispositivo quando si applica l'alimentazione.	Nessuna alimentazione al faro.	Controllare il cavo di alimentazione. Controllare la spina
Il faro non si accende correttamente.	Problema elettrico interno.	Contattare il Servizio di Assistenza.*
Nessuna luce o il LED si funziona a intermittenza o si brucia troppo velocemente.	LED disconnesso or bruciato.	Scollegare il faro e sostituire il LED.
	Il faro o il LED sono molto caldi.	Fate raffreddare il faro. Se il problema persiste, contattate il servizio assistenza.*
L'apparecchio si accende ma non risponde correttamente alla centralina DMX	Centralina non collegata.	Collegare la centralina.
	Canali DMX errati	Controllare i canali DMX sul faro e sulla centralina.
	Errore di trasmissione dei dati.	Controllate che i cavi siano collegati correttamente e che siano integri.
	Conflitto fra controllo nella scena e impostazioni DMX di controllo della centralina.	Eliminare conflitti tra scene, crossfade e altri controlli assegnati dalla centralina al canale DMX.
	Connessione DMX con terminata.	Inserire un terminatore in uscita all'ultimo faro nella catena.**
	Faro difettoso tra 2 unità impostate in modo non corretto nella catena.	Bypassate tutti i fari uno alla volta, finché il problema non scompare. Per bypassare, basta scollegare i cavi DMX in ingresso e uscita dall'unità e collegarli fra di loro.

* Per contattare il Servizio Assistenza Centolight, consultare il paragrafo "10 - Garanzia e Assistenza" a pagina 29 o visitate il sito www.centolight.com

** Per istruzione su come installare un terminatore DMX, vedere "5.4. Terminatore DMX" a pagina 24.

9 - SPECIFICHE TECNICHE

Sorgente luminosa	1x LED COB da 120W Bianco Caldo
Durata del Led	Oltre 50.000h
CCT (Temperatura Colore)	3200K
Flusso luminoso	1350lux / 3m - 483lux / 5m
CRI	ra≥90.
Ampiezza del Fascio Luminoso	60°
Ottica	Lente Fresnel in vetro
Dimmer	Controllo lineare a 16 bit
Frequenza di scansione Dimmer	1.2kHz (funzionamento flicker-free)
Sistema di raffreddamento	Ventola Silenziosa (sotto 25dB @ 1m) + Dissipatore di Calore in Alluminio
Modalità DMX	2 canali (RDM inclusi)
Modalità di controllo	DMX, Strobo, Dimmer manuale
Pannello di controllo	4 tasti e display a LED
Protezione IP	IP20
DMX IN / OUT	XLR a 3 pin
Presse di corrente	PowerCon
Alimentazione	100~240V 50/60Hz
Massimo Consumo	150W
Temperatura di lavoro	-20÷55 °C
Barndoor	Alette ruotabili (incluse)
Max. Dimensione Faro (LxPxA)	245 x 160 x 120 mm - 9.64 x 6.30 x 4.7 in (c-staffa inclusa)
Peso netto	2,6kg - 5,73 libbre
Dimensione Imballo (LxPxA)	200 x 180 x 280mm - 7.87 x 7.09 x 11.02in
Peso Imballo	2,8kg - 6.17 libbre

Nota i nostri prodotti sono soggetti a un processo di sviluppo continuo. Pertanto le modifiche alle caratteristiche tecniche restano soggette a modifiche senza preavviso.

10 - GARANZIA E ASSISTENZA

Tutti i prodotti CENTOLIGHT sono coperti da garanzia di due anni. Essa è valida dalla data di acquisto, come indicato dal documento di acquisto. I seguenti casi/ componenti non sono coperti dalla garanzia di cui sopra:

- Tutti gli accessori forniti con il prodotto
- Uso improprio
- Guasto dovuto all'usura
- Ogni modifica del prodotto effettuata dall'utente o da terzi

CENTOLIGHT soddisfa gli obblighi di garanzia dovuti a eventuali materiali non conformi o difetti di fabbricazione, rimediando gratuitamente e a discrezione di CENTOLIGHT, sia mediante riparazione o sostituendo singole parti o l'intero apparecchio. Eventuali parti difettose rimosse da un prodotto durante il corso di una richiesta di garanzia diventano di proprietà di CENTOLIGHT.

Durante il periodo di garanzia, i prodotti difettosi possono essere restituiti al rivenditore CENTOLIGHT con prova di acquisto originale. Per evitare danni durante il trasporto, si prega di utilizzare l'imballo originale (se disponibile). In alternativa, inviare il prodotto a SERVICE CENTER CENTOLIGHT - Via Enzo Ferrari, 10 - 62017 Porto Recanati - Italia. Per inviare un prodotto al centro di assistenza è necessario un numero di RMA. Le spese di trasporto devono essere coperte dal proprietario del prodotto.

Per ulteriori informazioni visitate il sito www.centolight.com

11 - AVVISO UE E SEE (NORVEGIA, ISLANDA, LIECHTENSTEIN)



LEGGETE ATTENTAMENTE - Questo simbolo indica che il prodotto non deve essere smaltito con i rifiuti domestici, in base alla direttiva RAEE (2202/96/CE) e legislazione nazionale.

Il prodotto deve essere consegnato a un centro di raccolta differenziata o, in caso di ritiro dell'usato quando si acquista un nuovo prodotto simile, ad un rivenditore autorizzato per il riciclaggio di apparecchiature elettriche ed elettroniche (WEEE).

Un uso improprio di questo tipo di rifiuti può avere un impatto negativo sull'ambiente e sulla salute umana a causa di sostanze potenzialmente pericolose che sono generalmente associate alle apparecchiature elettriche ed elettroniche. Allo stesso tempo, la vostra collaborazione per il corretto smaltimento di questo prodotto contribuirà a un utilizzo efficace delle risorse naturali.

Per ulteriori informazioni sui punti di raccolta delle apparecchiature da rottamare, contattate il comune, l'autorità di gestione dei rifiuti, strutture coinvolte nel sistema RAEE o il servizio di smaltimento dei rifiuti domestici.



www.centolight.com



This product is imported in EU by
Questo prodotto viene importato nella UE da

FRENEXPORT SPA - Via Enzo Ferrari, 10 - 62017 Porto Recanati - Italy

Centolight® is a registered trademark of FRENEXPORT SPA - Italy
Centolight® è un marchio di fabbrica registrato di FRENEXPORT SPA - Italia



www.centolight.com