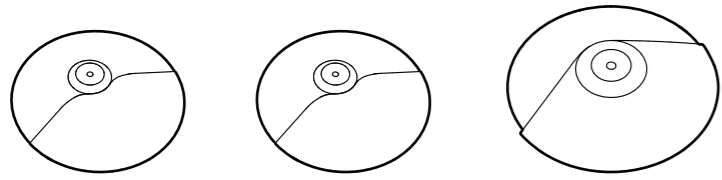
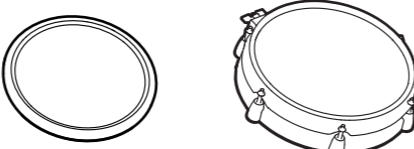
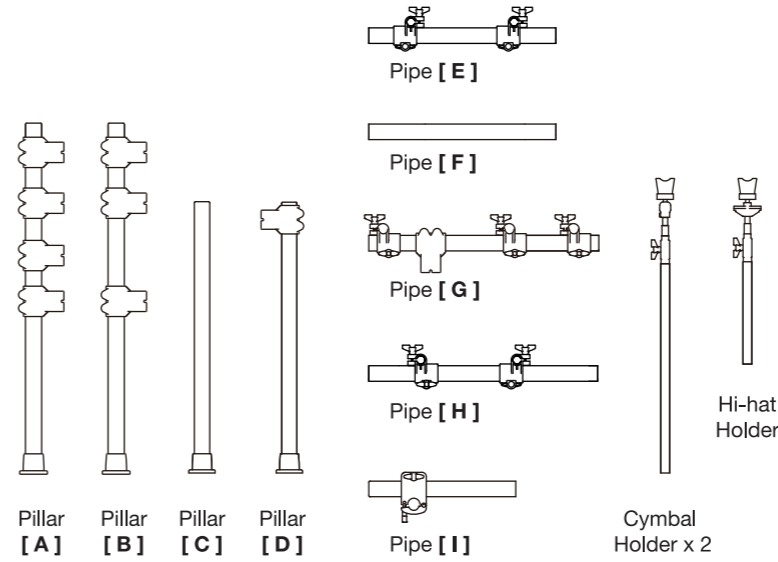
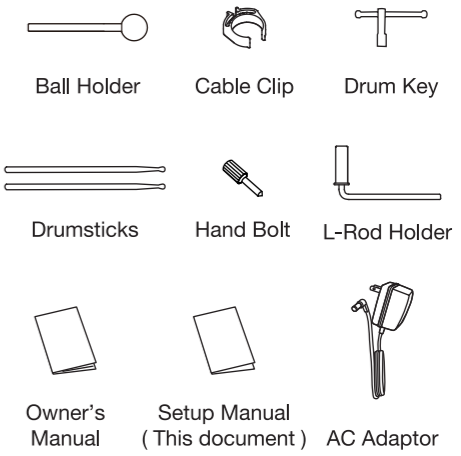
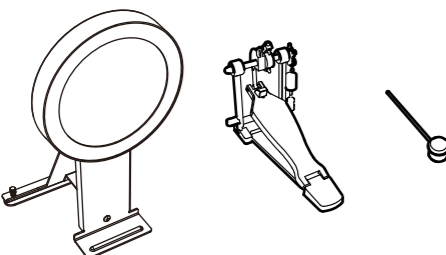
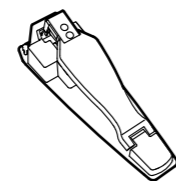
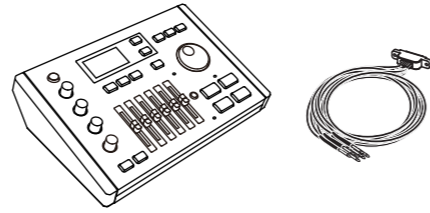


# Setup Manual

**WARNING**

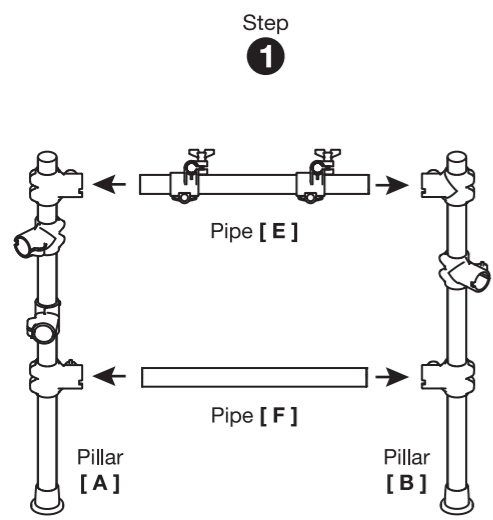
- Drum key can be pinched when adjusting clamps with drum key. Operate carefully.
- Be careful around pipe ends, inside the pipe, screw ends and metal shavings...etc. May injure your fingers

**Check the included items**

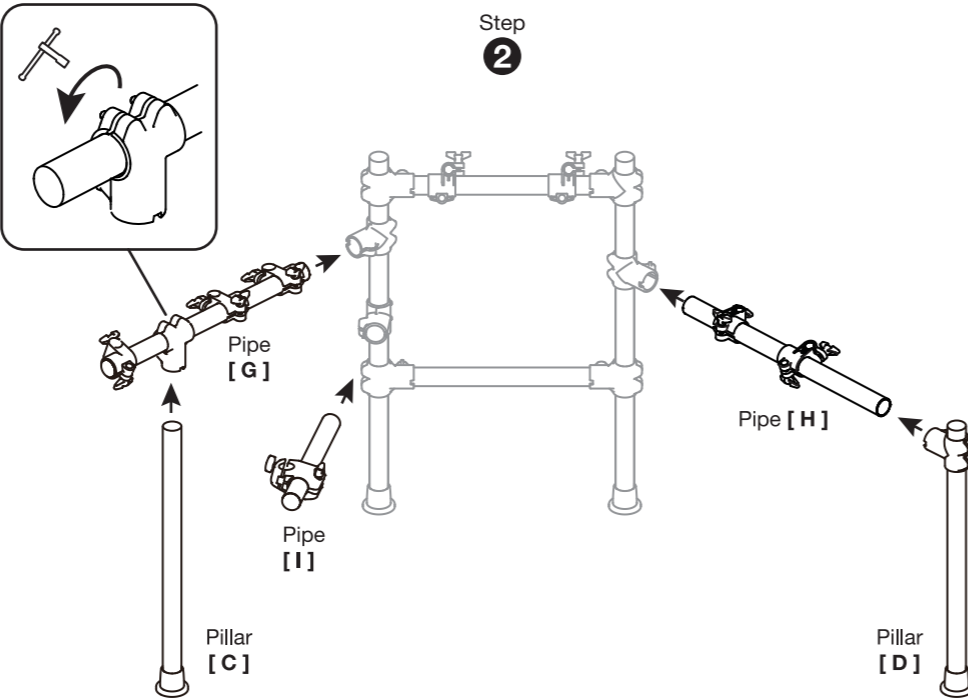
CYMBAL PAD	DRUM PAD	DRUM STAND	ACCESSORIES
 <p>Hi-hat      Crash      Ride</p>	 <p>Tom ( x 3 )      Snare</p>	 <p>Pillar [ A ]    Pillar [ B ]    Pillar [ C ]    Pillar [ D ]</p> <p>Pipe [ E ]    Pipe [ F ]    Pipe [ G ]    Pipe [ H ]    Pipe [ I ]</p> <p>Cymbal Holder x 2    Hi-hat Holder</p>	 <p>Ball Holder    Cable Clip    Drum Key</p> <p>Drumsticks    Hand Bolt    L-Rod Holder</p> <p>Owner's Manual    Setup Manual ( This document )    AC Adaptor</p>
KICK ( PAD + PEDAL )	PEDAL	MODULE	
 <p>Kick Pad      Kick Pedal      Beater</p>	 <p>Pedal ( Hi-hat )</p>	 <p>Drum Module      Connection Cable</p>	

**Assemble the Drum Stand**

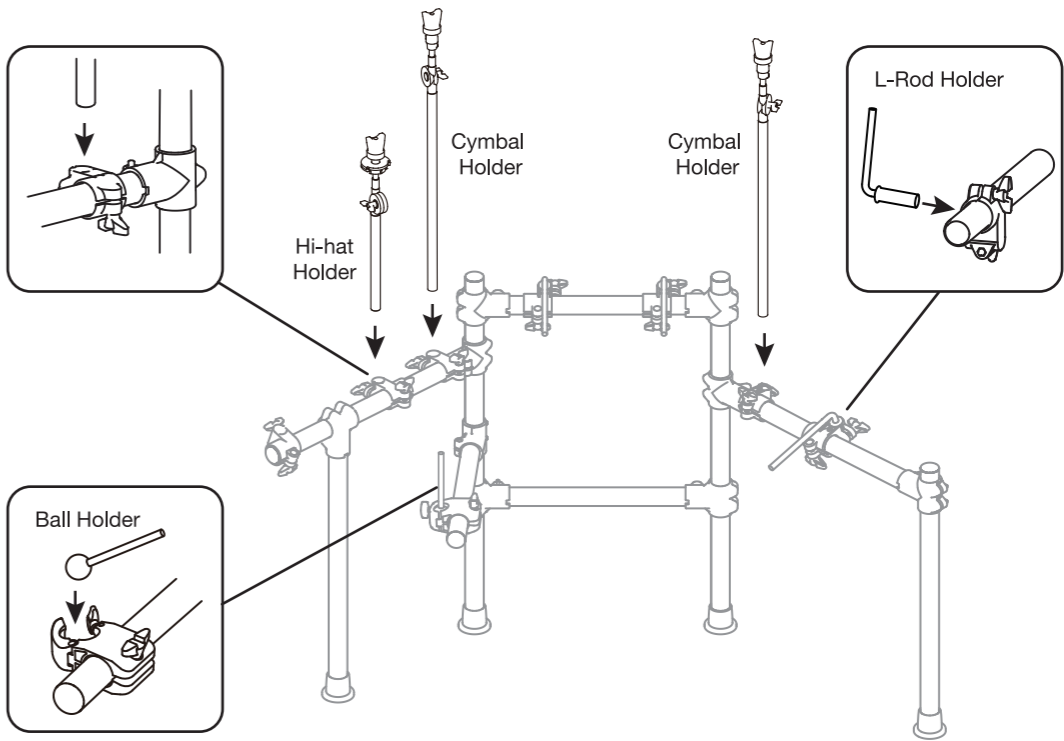
**Step 1**



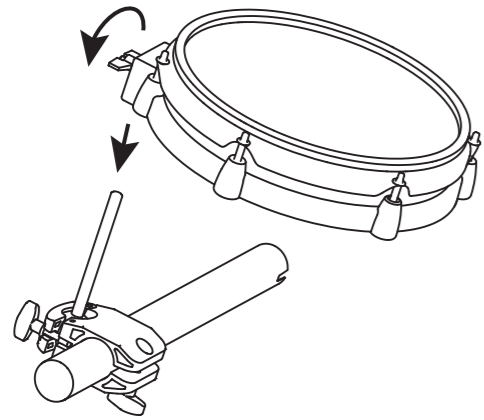
**Step 2**



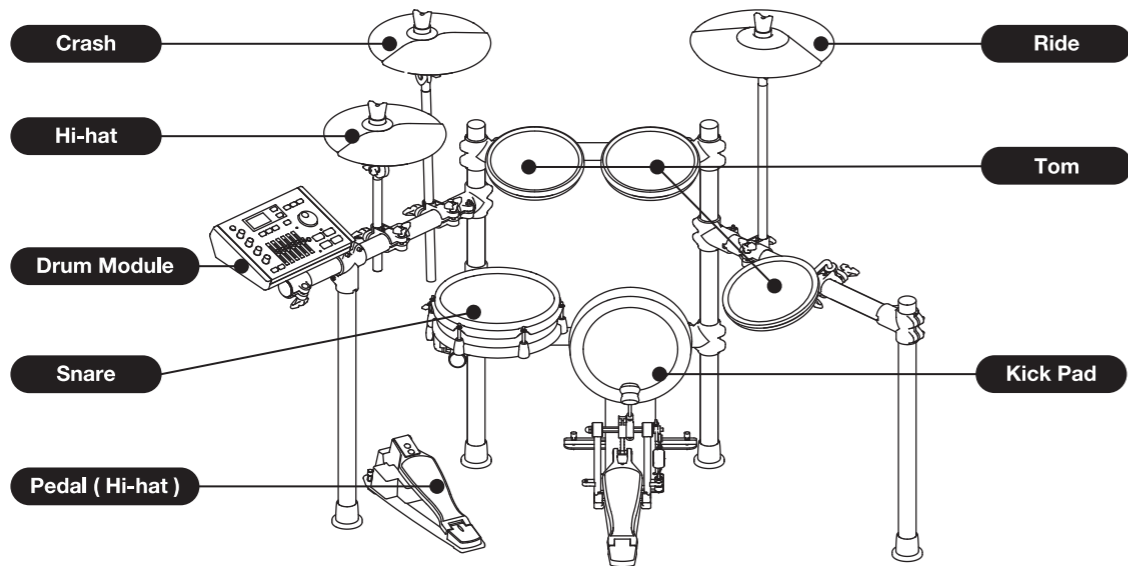
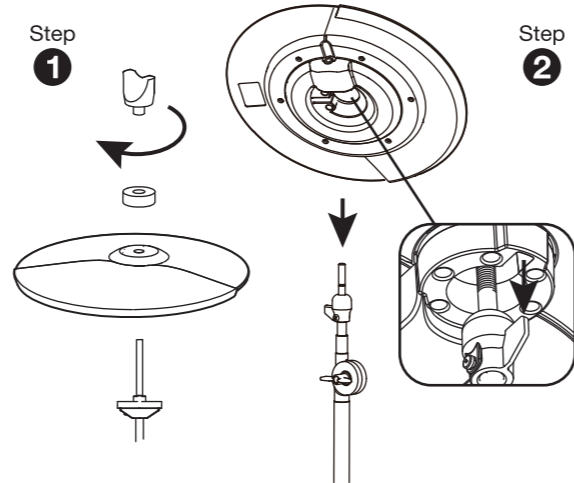
**Attach the Pad, Hi-hat and Cymbal Holders**



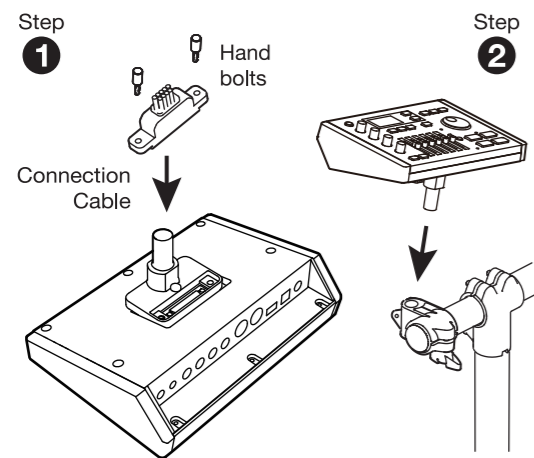
### Attach the Drum Pad



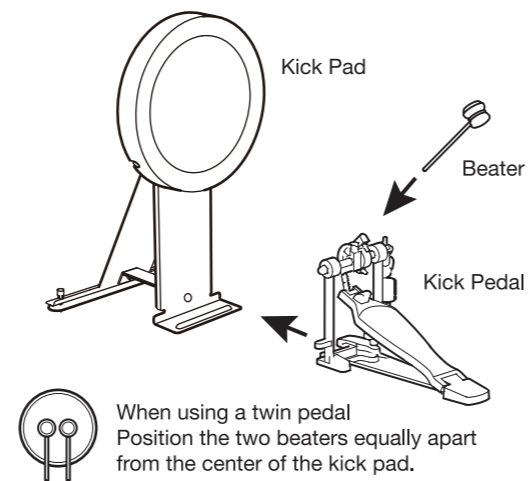
### Attach the Cymbal Pad



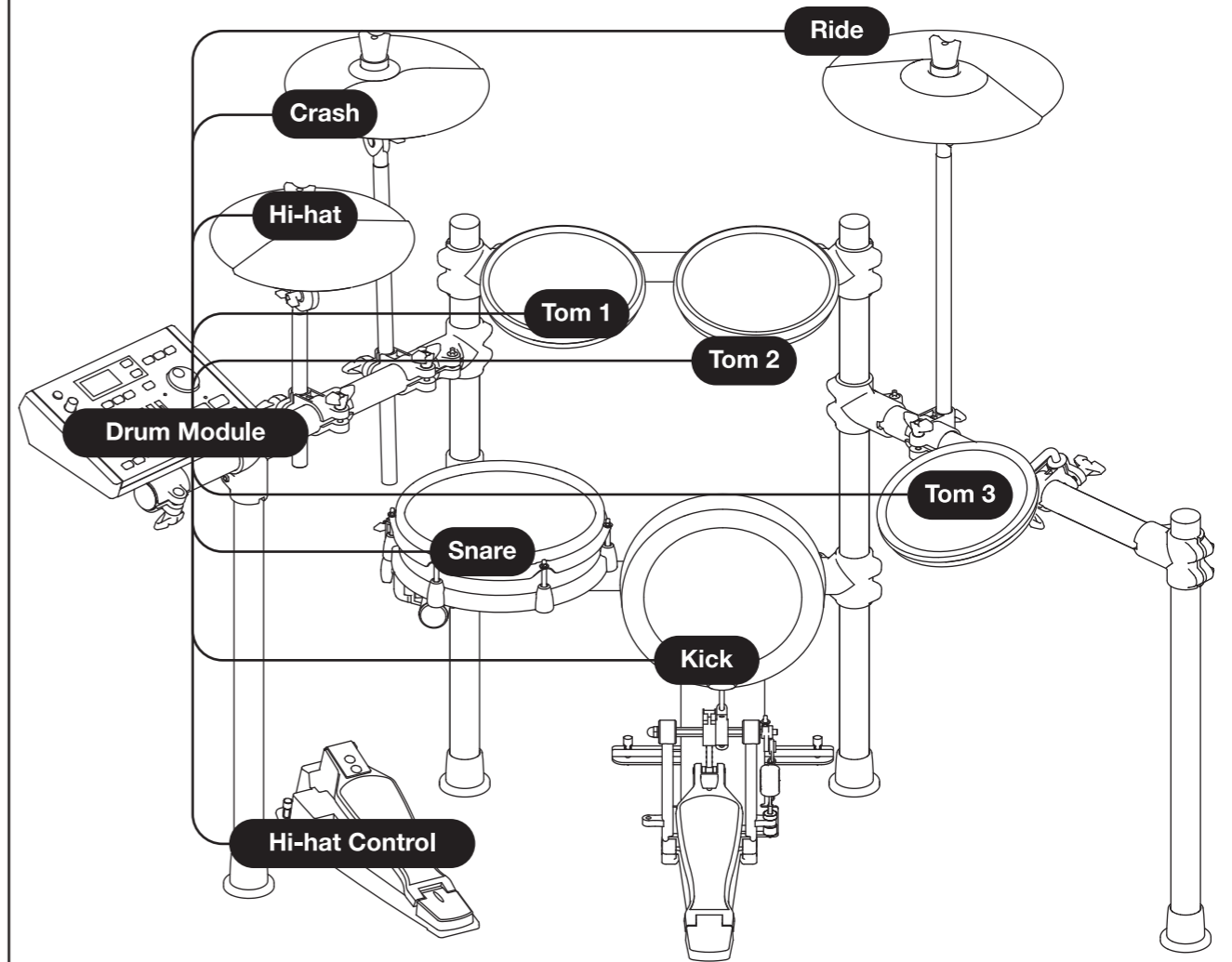
### Attach the Drum Module



### Attach the Kick Pad



### Connect the Pads



Connect the Pads to the Drum Module with labelled cables.